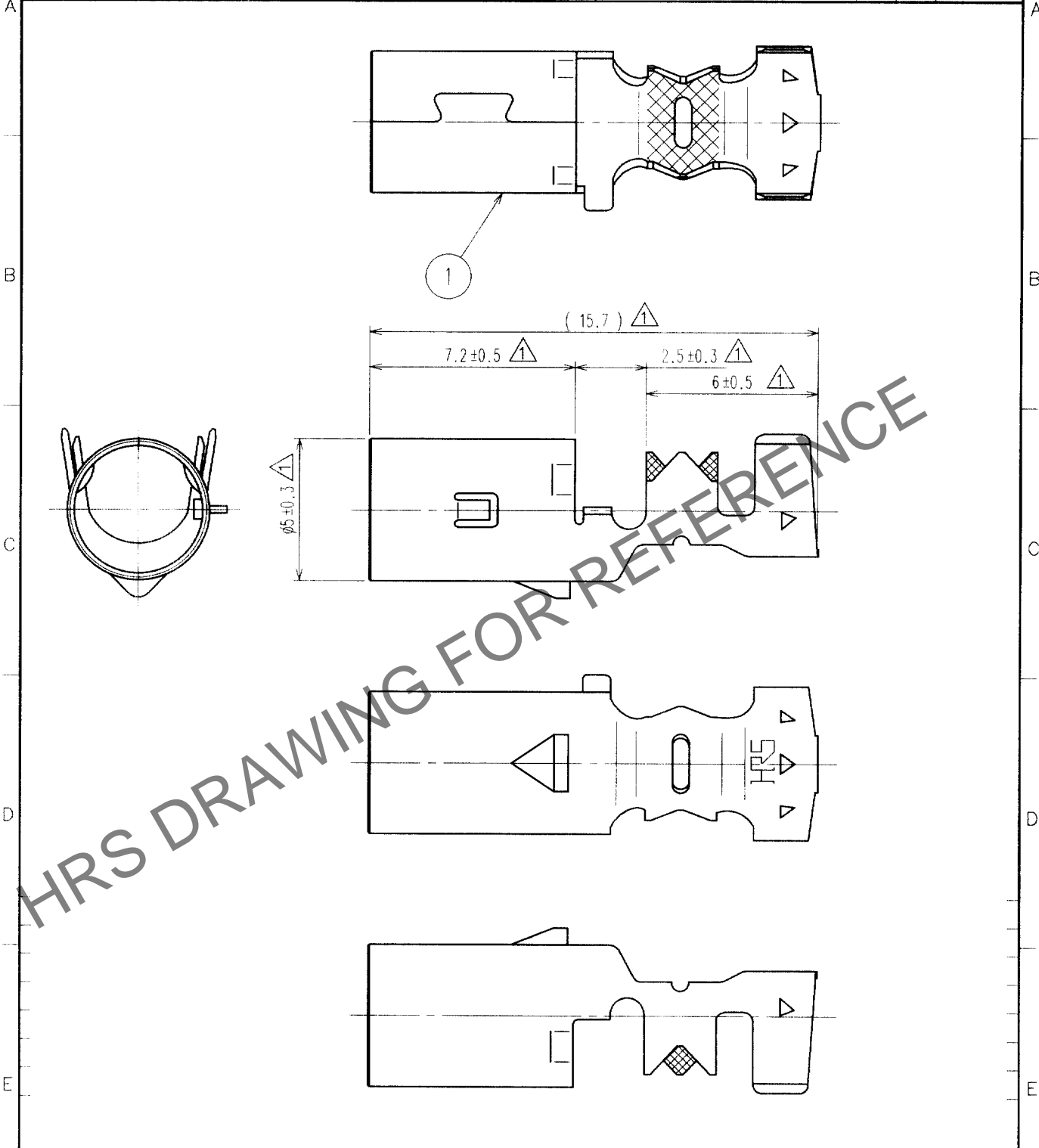


Jul.1.2024 Copyright 2024 HIROSE ELECTRIC CO., LTD. All Rights Reserved.  
 In case of consideration for using Automotive equipment / device which demand high reliability, kindly contact our sales window correspondents.

| COUNT | DESCRIPTION OF REVISIONS | BY         | CHKD | DATE | COUNT   | DESCRIPTION OF REVISIONS | BY | CHKD | DATE |
|-------|--------------------------|------------|------|------|---------|--------------------------|----|------|------|
| 1     | 5                        | RE-T-00744 | T.S  | M.C  | 02.6.11 |                          |    |      |      |
|       |                          |            |      |      |         |                          |    |      |      |
|       |                          |            |      |      |         |                          |    |      |      |



| 1   | PHOSPHOR BRONZE | TIN PLATED , T=0.25 |     |          |                 |
|-----|-----------------|---------------------|-----|----------|-----------------|
| NO. | MATERIAL        | FINISH, REMARKS     | NO. | MATERIAL | FINISH, REMARKS |

|                |              |              |           |           |          |
|----------------|--------------|--------------|-----------|-----------|----------|
| CODE NO. (OLD) | DRAWN        | DESIGNED     | CHECKED   | APPROVED  | RELEASED |
|                | T.SHISHIKURA | T.SHISHIKURA | M.OKADA   | K.SATO    |          |
|                | '02 .5 .7    | '02 .5 .7    | '02 .5 .8 | '02 .5 .8 |          |

|                                  |              |                    |
|----------------------------------|--------------|--------------------|
| SACLE<br>5 : 1<br>UNITS<br>mm    | DRAWING NO.  | PART NO.           |
|                                  | EDC4-165887  | GT16C- / 1.6-2.9SC |
| HRS<br>HIROSE ELECTRIC CO., LTD. | CODE NO.     | 1/1                |
|                                  | CL766-0012-9 |                    |

TO