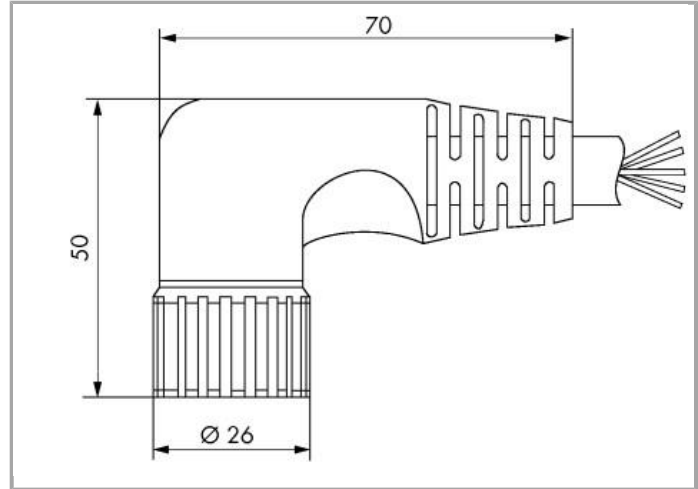
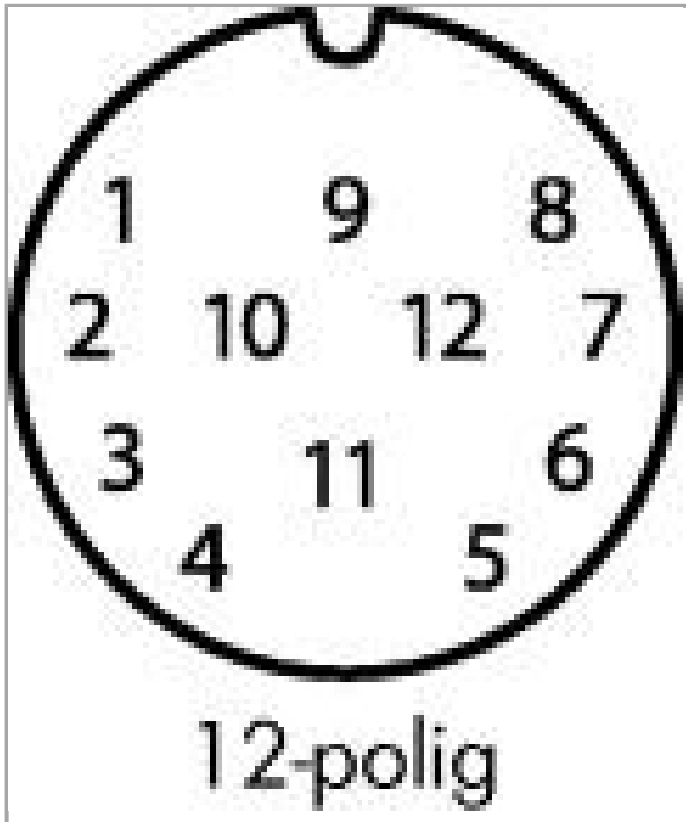


Data sheet | Item number: 756-3202/120-100

Connecting cable; angled; 12-pole; 10 m; fitted on one end (with free end);  
M23 socket, straight

[www.wago.com/756-3202/120-100](http://www.wago.com/756-3202/120-100)





Pin 9, 11, 12: 1.00 mm<sup>2</sup>;  
Pin 1 - 8: 0.34 mm<sup>2</sup>

1	white	9	blue
2	green	10	commoned with 9
3	yellow	11	brown
4	gray	12	green/yellow
5	gray/pink		
6	red/blue		
7	white/green		
8	brown/green		

## Data

### Technical Data

Connection type	M23 socket - free end
No. of poles	12
Leitungsanschlussrichtung zur Steckrichtung	90°
Cable length	10 m
Operating voltage	≤300 V
Operating current	8 A
Rated surge voltage	≥2,0 kV eff.

### Mechanical data

Bending cycles	2
Schleppkettentauglichkeit	yes
Durchmesser der Mantelleitung	9 ... 9.6 mm
Weight	1081 g

### Environmental Requirements

Umgebungstemperatur (Betrieb) bewegt	-25 ... +80 °C
Umgebungstemperatur (Betrieb) ruhend	-40 ... +90 °C
Degree of protection	IP67



### Commercial data

Country of origin	DE
GTIN	4044918569019
Product Group	23 (I/O passive and accessories)

### Downloads

#### Documentation

#### System Description

Sensor/Actuator Boxes – General Product Information	Jun 6, 2017	357.7 kB	Download
---	-------------	----------	----------

Subject to changes.

WAGO Corporation  
Germantown, WI 53022  
32423 Minden  
Phone: +49571 887-0 | Fax: (262) 255-6222  
Email: [info.us@wago.com](mailto:info.us@wago.com) | Web: [www.wago.com](http://www.wago.com)

Do you have any questions about our products?  
We are always happy to take your call at {0}.