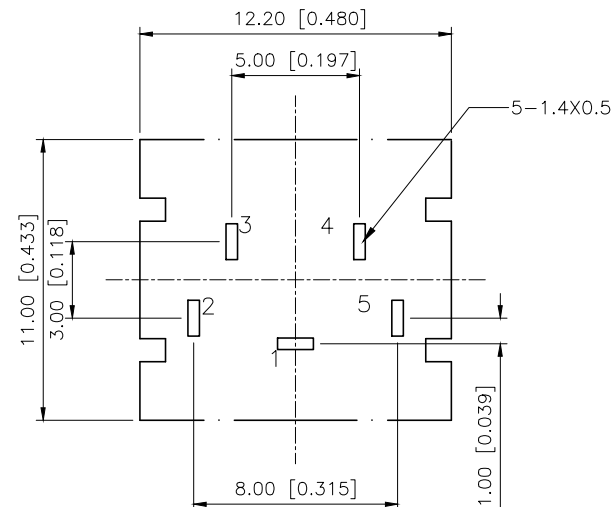
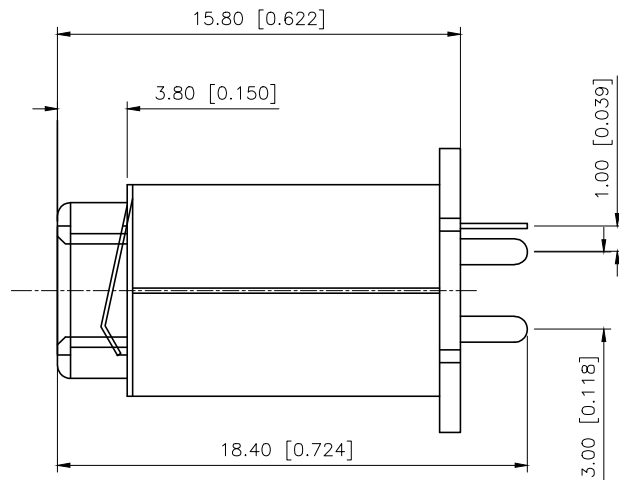
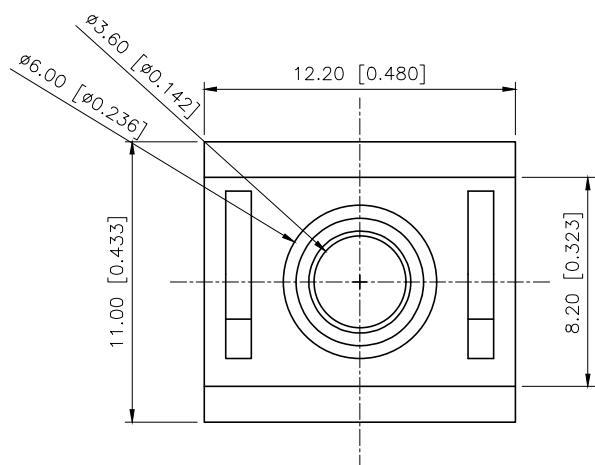
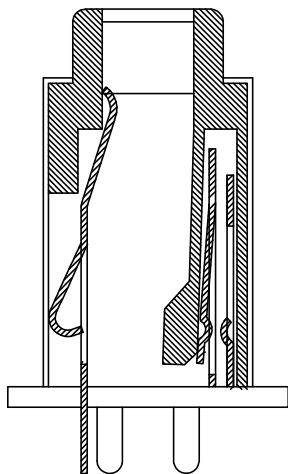
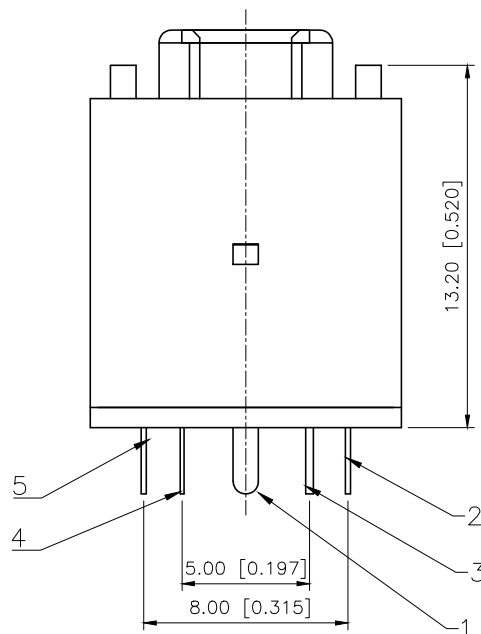


REVISIONS					
REV.	ECN NO.	LOCATION	DESCRIPTION	DATE	DESIGN
A0	N/A		INITIAL RELEASE	/	/
A1	N/A		图面升级整理图面	2025.06.26	阿树



PCB Layout

Model No.	PJ-379A-T-X	
Schematic		
color	B:Black R: Red G:Green	



Plastic	PBT	
Terminal 5	Phosphor Bronze	TIN
Terminal 4	Phosphor Bronze	TIN
Terminal 3	Phosphor Bronze	TIN
Terminal 2	Phosphor Bronze	TIN
Terminal 1	Phosphor Bronze	TIN
PAPT NAMF	MATERIAL	PLATING

AuGLAR	±5°
X.	±0.40
X.x	±0.30
X.xx	±0.20
X.xxx	±0.15
UNSPECIFIED TOLERAUCES	



DESIGN	阿树	VIEW:		MODEL TYPE:	3.5 PHONE JACK
CHECKED		UNIT:	mm/in	PART NO.:	PJ-379A-T-X
APPROVED		SIZE:	A4	DWG NO.:	