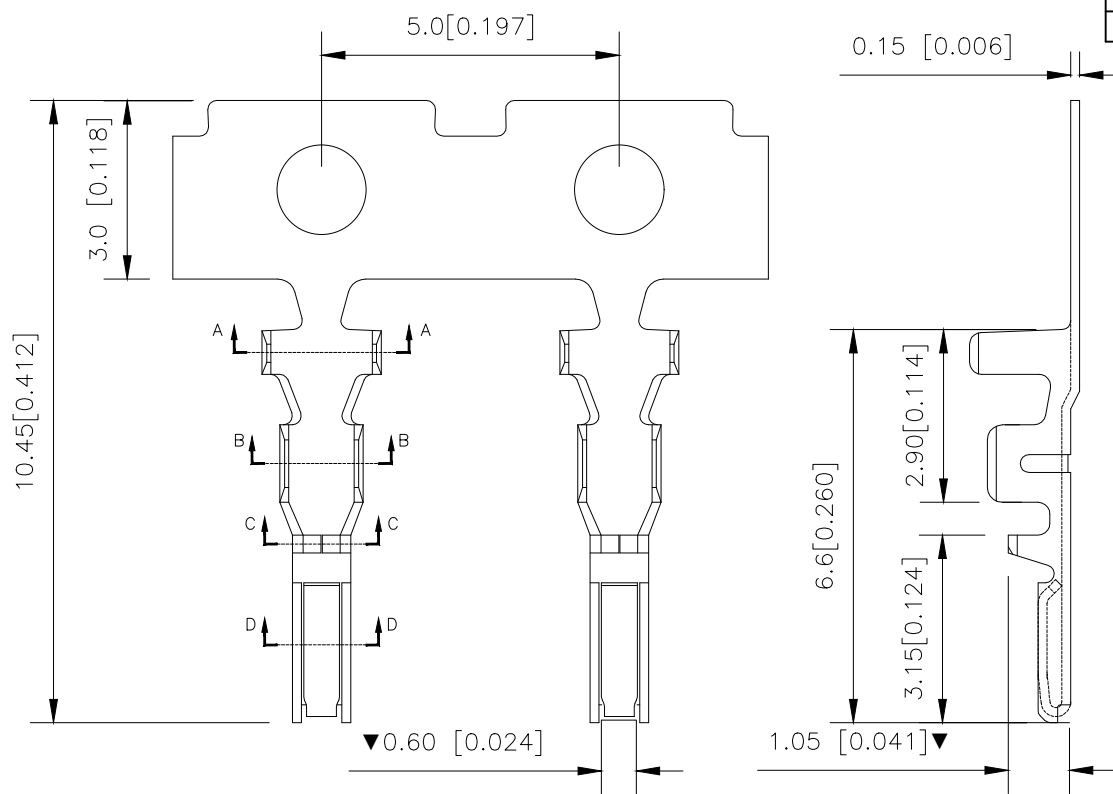


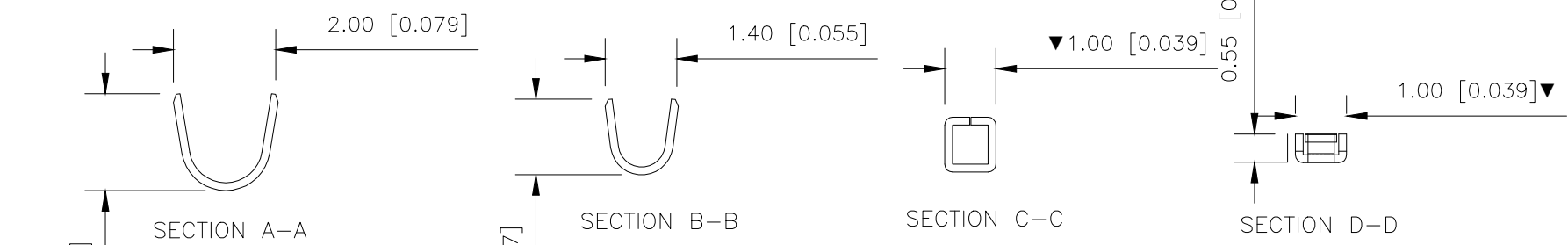
REVISIONS					
REV.	ECN NO.	LOCATION	DESCRIPTION	DATE	DESIGN
A1	N/A		INITIAL RELEASE	2024.07.13	阿树



- SPECIFICATIONS
- Voltage rating: 100VAC, DC
 - Current rating: 2A, AC, DC
 - Withstanding Voltage: 500V AC/minute
 - Temperature range: -25°C + 85°C
 - Contact resistance: 20mΩ max

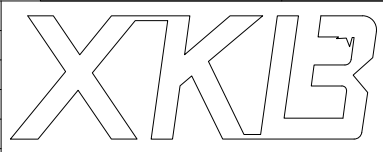
PART NO.:
 X 1501 T-P SN
 ① ② ③ ④ ⑤

- ① Series No
- ② Category: T-Terminal
- ③ Material: P-Phosphor bronze
- ④ Plating:
SN-Tin-Plated



X1501T-PXX	Phosphor Bronze	Tin-Plated	AWG#24~28	X1501H
PART NO	Material	Finish(pin)	Wire Range	Suitable XKB Housing

ANGULAR	±5°
X.	±0.40
X.x	±0.30
X.xx	±0.20
X.xxx	±0.15
UNSPECIFIED TOLERANCES	



DESIGN	阿树	VIEW:	
CHECKED		UNIT:	mm/in
APPROVED		SIZE:	A4

MODEL TYPE:	1.5mm Crimp Style Connector
PART NO.:	X1501T-PSN
DWG NO.:	

XKB INDUSTRIAL PRECISION CO., LIMITED

SCALE	PAGE	REVISION
N/A	1/1	A1