



# E-NETTR 10/100/1000Base-T DUAL Port Transformer Module

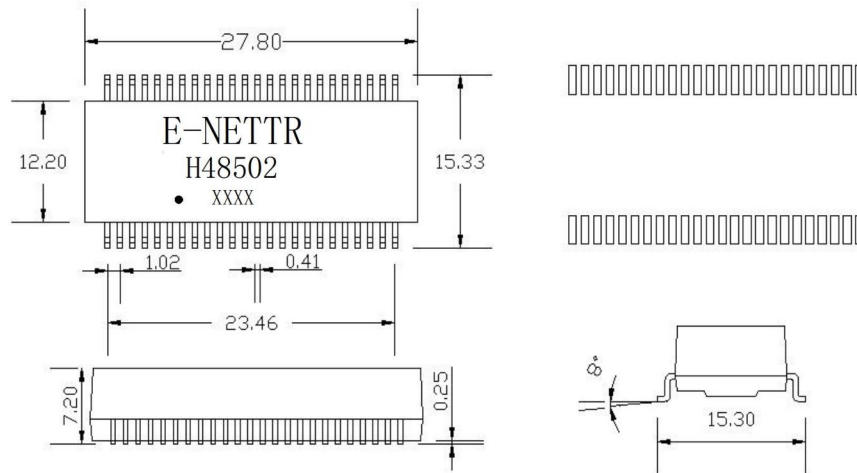
**P/N: H48502**

- \* Designed to meet IEEE802.3ab requirement
- \* Lead-Free & Designed to meet RoHS requirement
- \* Designed to meet IR255°C peak requirement
- \* Primary inductance 350uH Min with 8mA DC Bias
- \* Single Port for NIC Application
- \* Operating temperature range -40°Cto+85°C
- \* Storage temperature range: -40°Cto+85°C

## Electrical Specifications@25 °C

Part Number	Turn Ratio (±3%)	Insertion Loss 1~100MHz (dB Max)	Return Loss (dB Min)				Cross Talk (dB Min)			DCMR (dB Min)			Hi-Pot (Vrms MIN)
			1-30MHz	40-60MHz	60-80MHz	100MHz	30MHz	60MHz	100MHz	30MHz	60MHz	100MHz	
H48502	1CT:1CT	-1.0	-18	-13.1	-12	-10	-35	-30	-30	-43	-37	-33	1500

## Mechanical

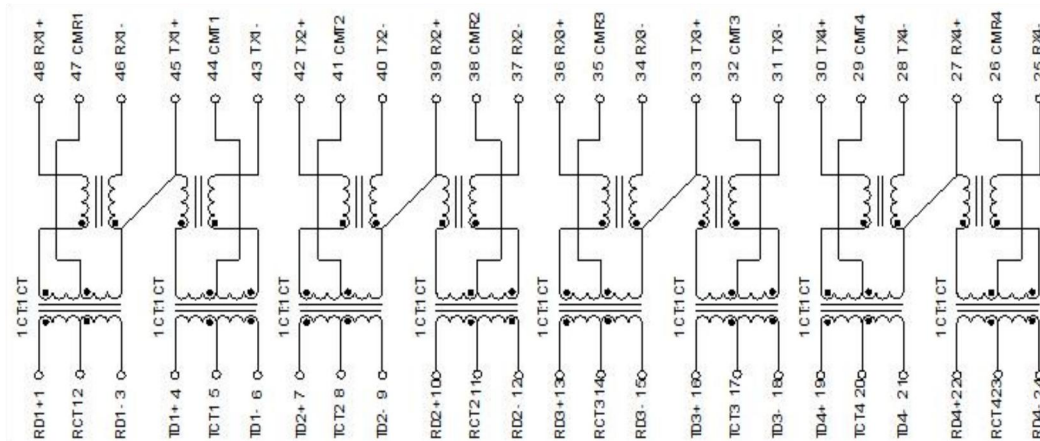


Dimensions: Inches/mm

Unless otherwise specified tolerances: xx.xo ± 0.25 mm

o.xx ± 0.05mm

## Schematics



东莞市祥星电子有限公司

地址: 东莞市石碣镇横滘科技中路第三工业区 Miss Xie: 13549396638

TEL:0769-86384669

FAX:0769-81813600

Http://www.e-nettr.com

[xxing.guang@163.com](mailto:xxing.guang@163.com)