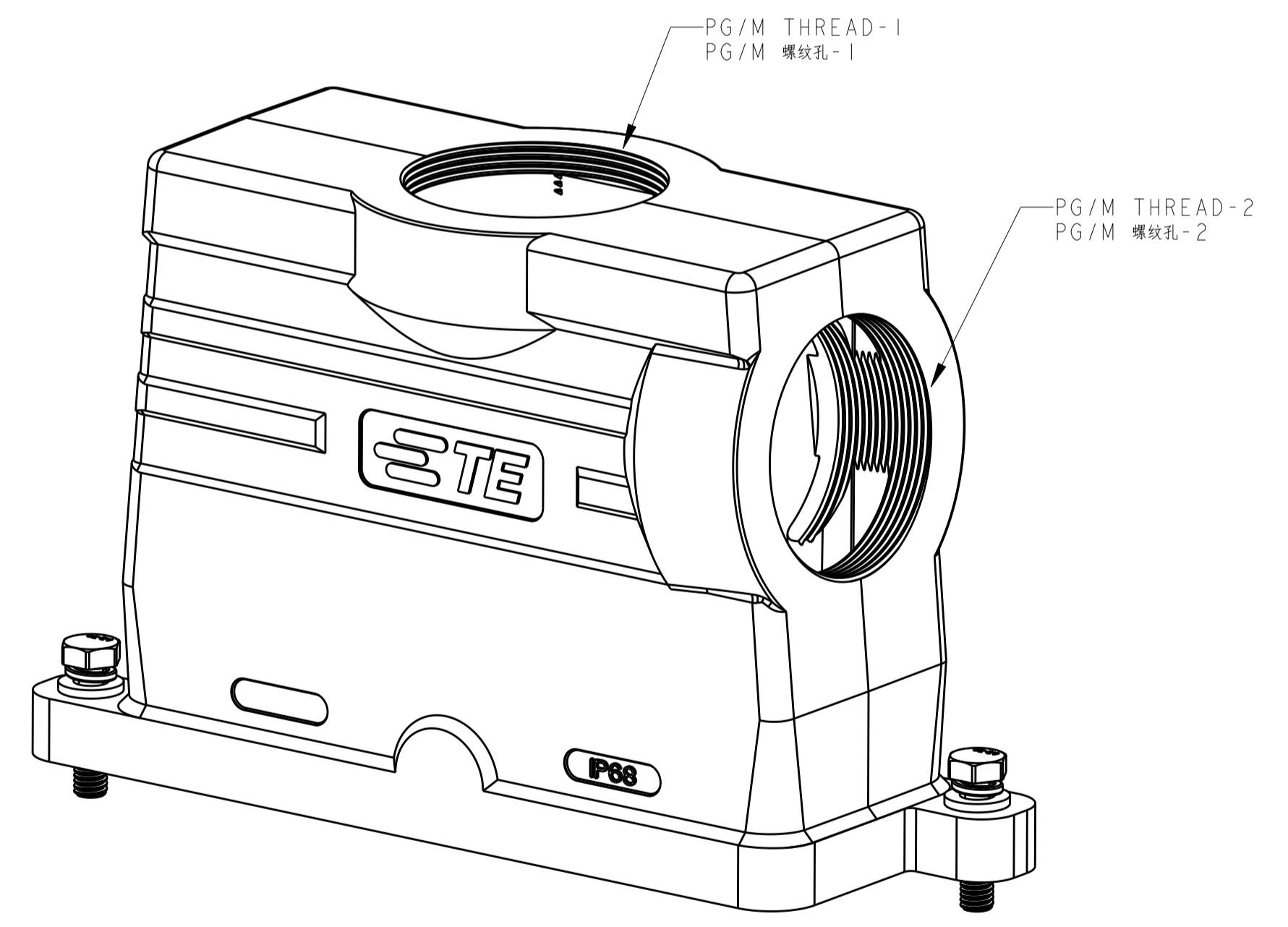
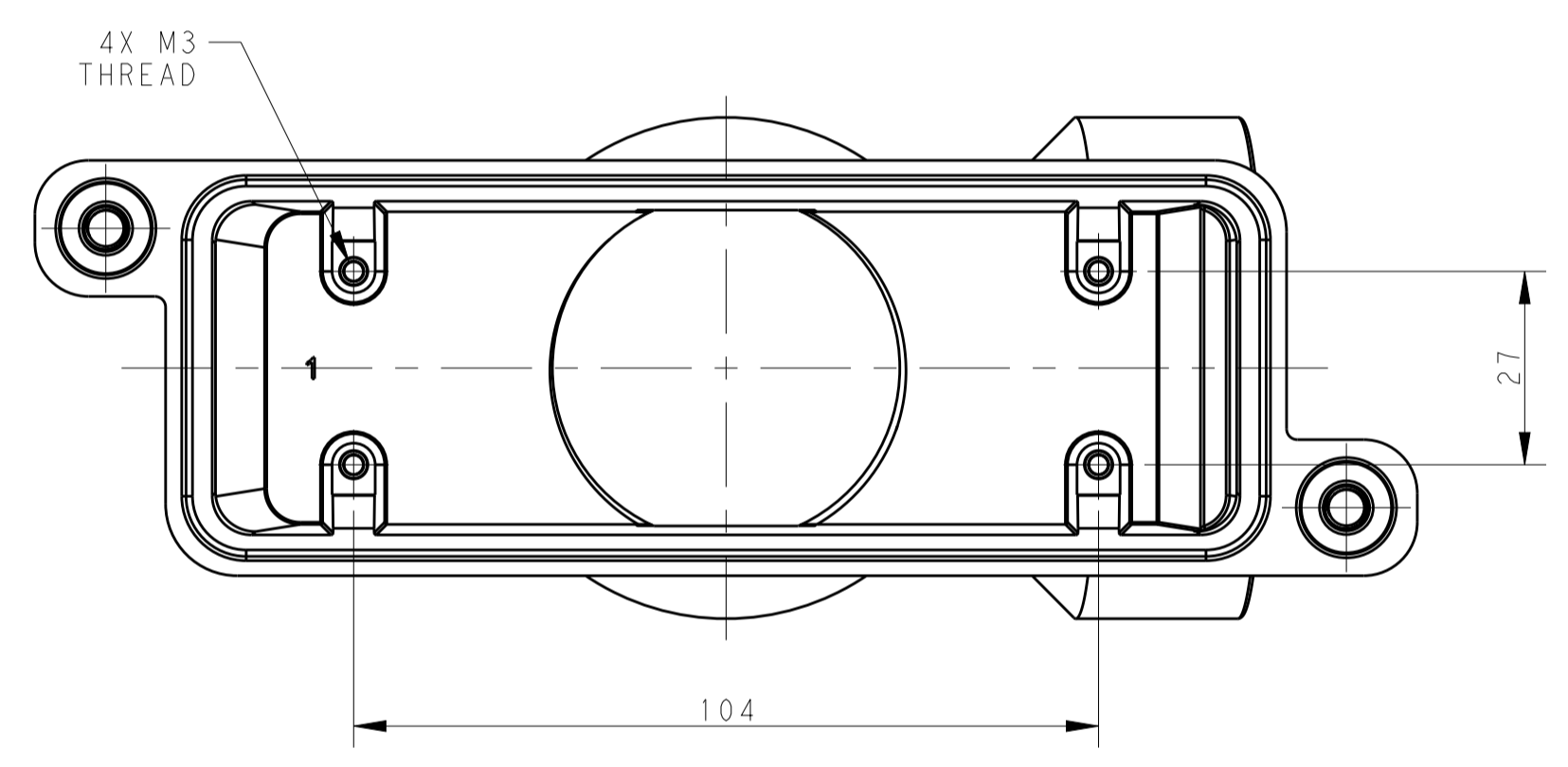
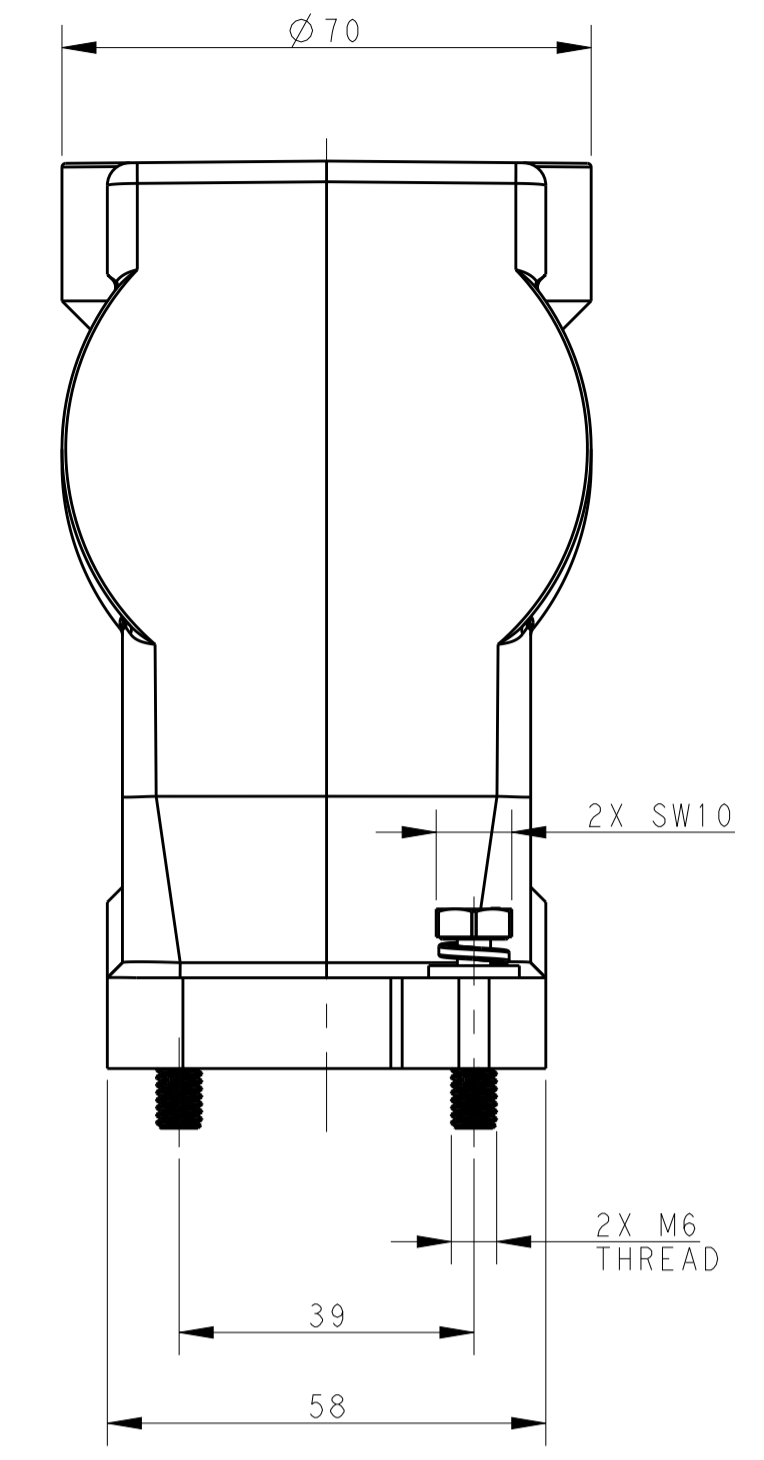
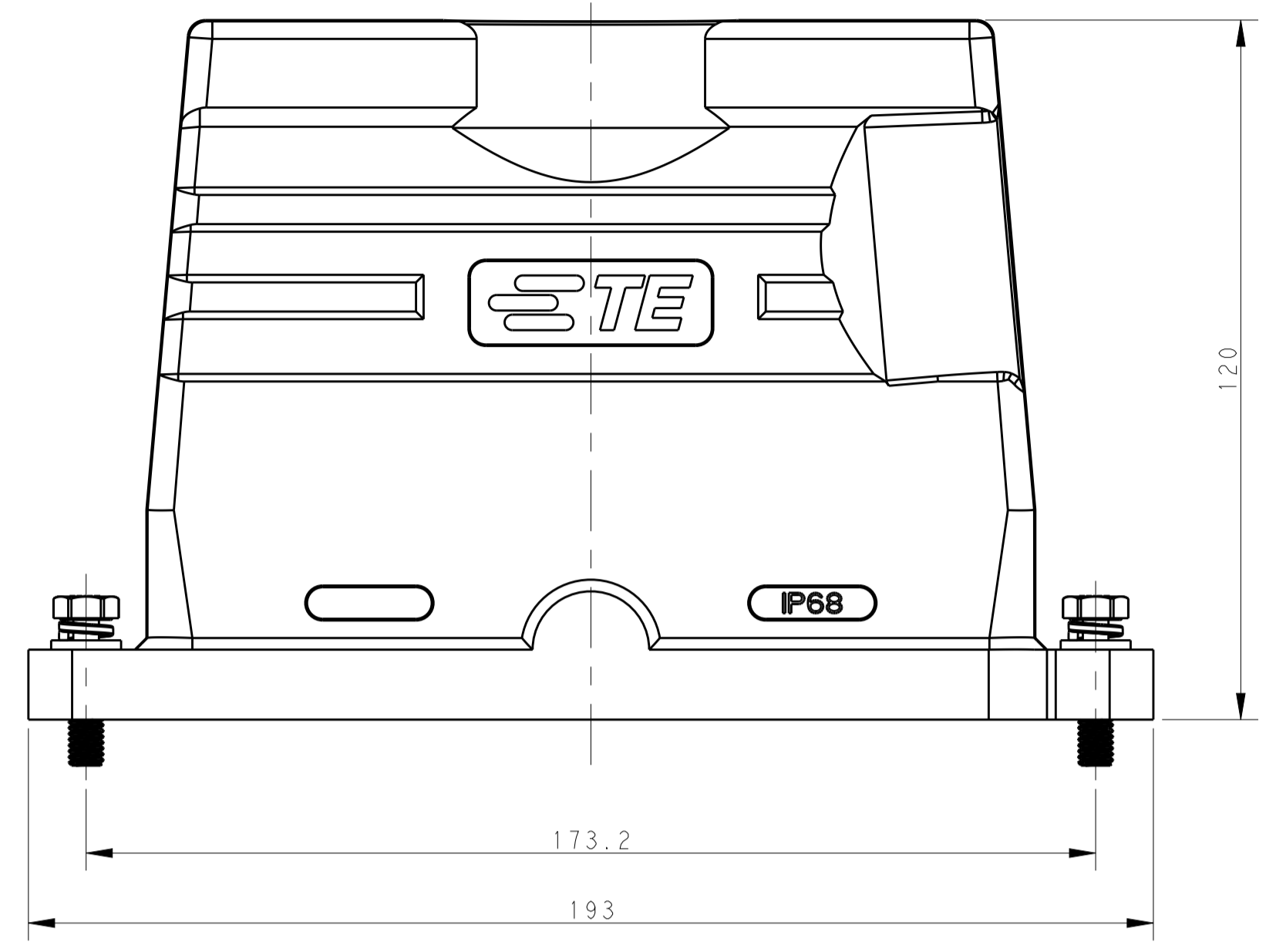
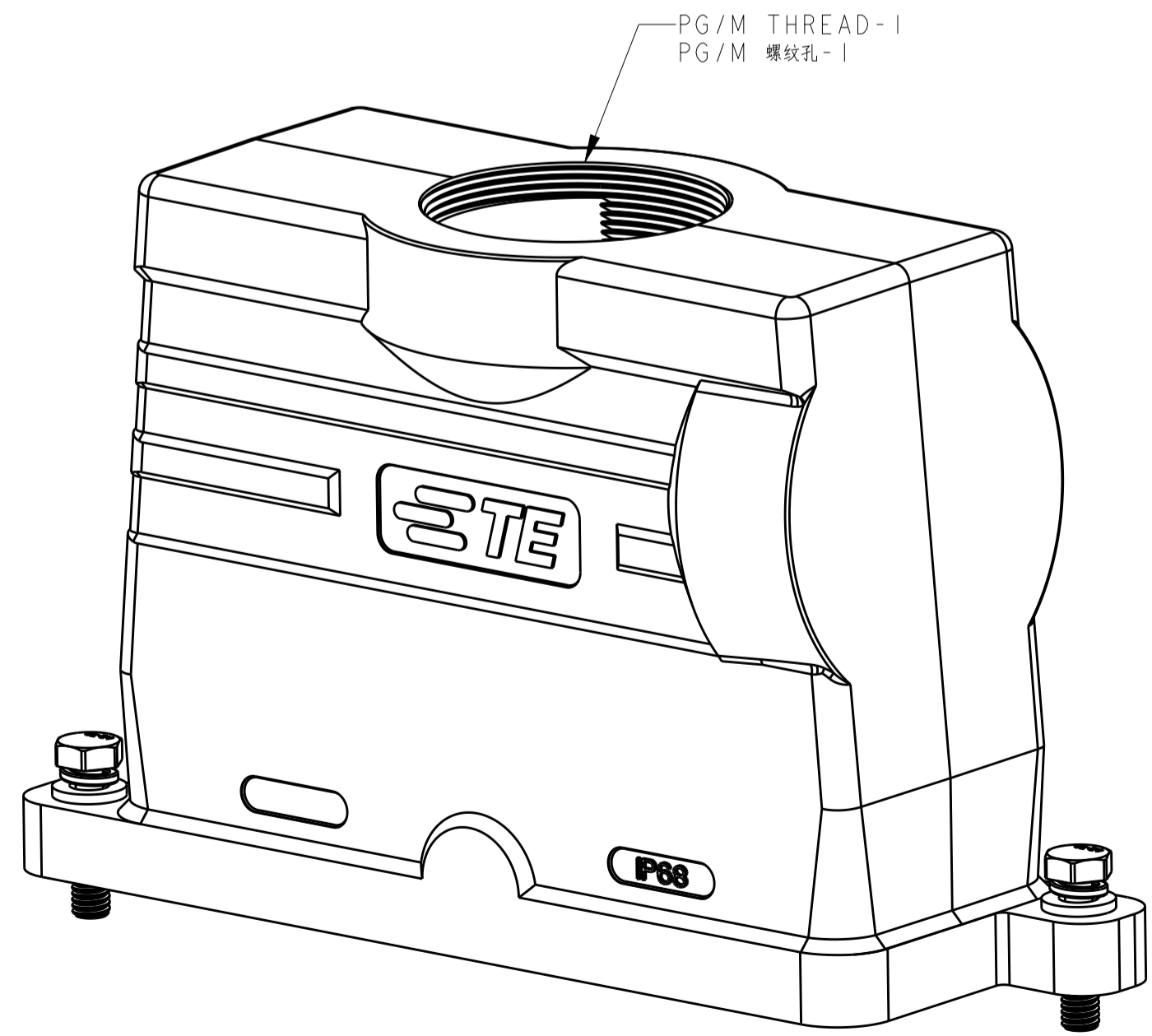


REVISIONS				
P.	LTN	DESCRIPTION	DATE	DMN APVD
A		INITIAL	12SEP2016	RL CW
A1		ECR-18-009563	24OCT2018	CD CW

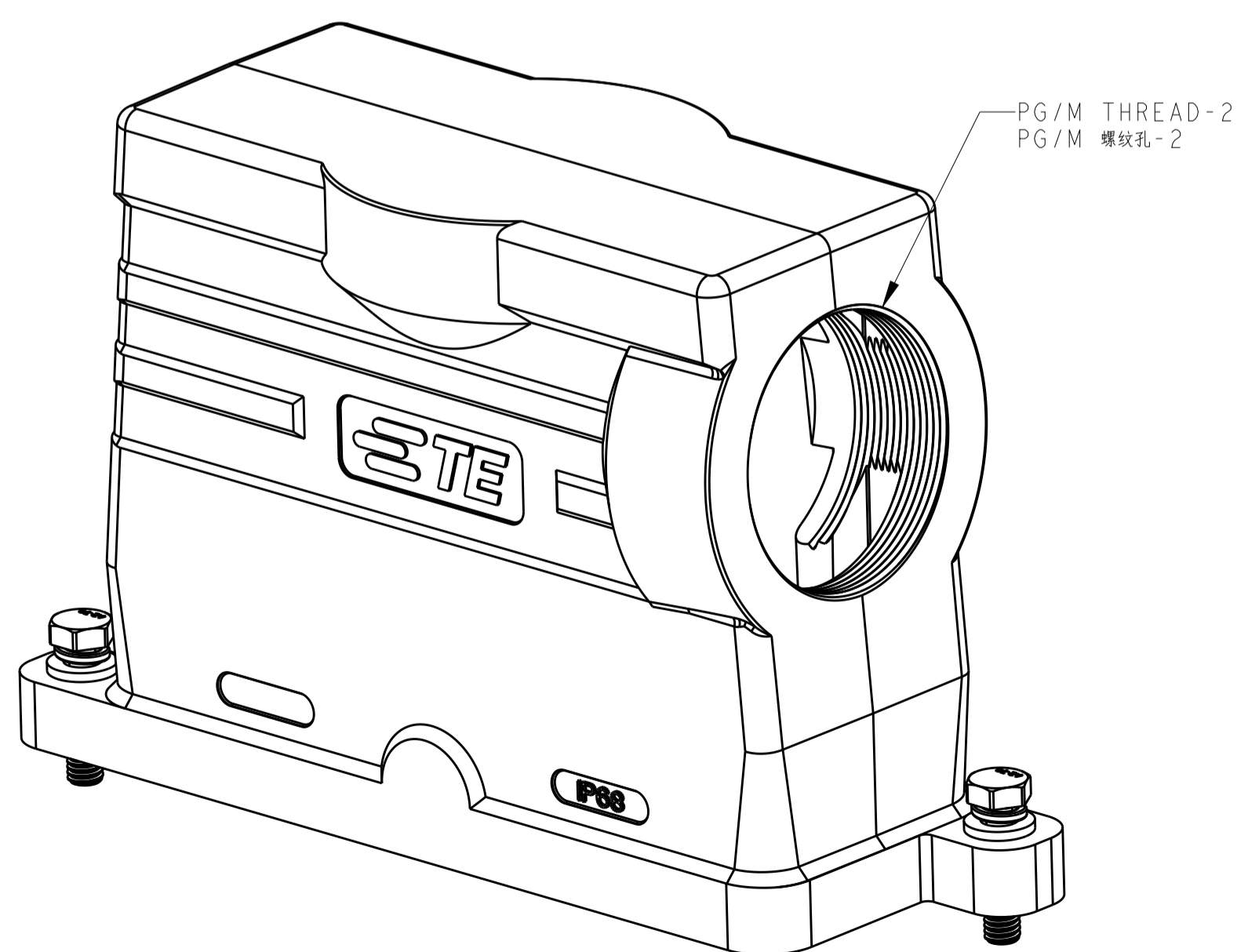


NOTES:
 1. TECHNICAL CHARACTERISTICS:
 HOOD MATERIAL: ALUMINIUM ALLOY
 SURFACE: SEE TABLE
 DEGREE OF PROTECTION: IP68 (MATED)

注释:
 1. 技术参数:
 外壳材料: 铝合金
 表面处理: 见表格
 防护等级: IP68(配合)



TYPE 1: TOP ENTRY / 类型 1: 顶出



TYPE 2: SIDE ENTRY / 类型 2: 侧出

TYPE 3: SIDE & TOP ENTRY
 类型 3: 侧顶出


THIS DRAWING IS A CONTROLLED DOCUMENT.		DMN: ROY LIU 12SEP2016	TE Connectivity
DIMENSIONS: mm		CHK: KYLE ZENG 12SEP2016	
TOLERANCES UNLESS OTHERWISE SPECIFIED:		APVD: CHIRS WANG 12SEP2016	NAME: H24BPR-TGH/TSH-XL-M/PG PRODUCT SPEC: 108-137014 APPLICATION SPEC: 114-137014
0 PLC ± 1 PLC ± 2 PLC ± 3 PLC ± 4 PLC ± ANGLES ±		SIZE: A1 CAGE CODE: - DRAWING NO: C-T19X02401XX002 WEIGHT: - FINISH: - CUSTOMER DRAWING	
MATERIAL: -		SCALE: 1:1	RESTRICTED TO: -
		SHEET: 1 OF 2	REV: A1

THIS DRAWING IS UNPUBLISHED. RELEASED FOR PUBLICATION
 © COPYRIGHT copyright.dbrt ALL RIGHTS RESERVED.

REVISIONS				
REV	DATE	DESCRIPTION	BY	APPD
-	-	SEE SHEET 1	-	-

NOTES:
 SEE SHEET 1
 注释:
 见 SHEET 1

PART NUMBER	DESCRIPTION	PG/M THREAD - 1	PG/M THREAD - 2	TYPE
T1900242250-002	H24BPR-TG/SH-XL-2M50 H24BPR HIGHTEN HOOD, DIAGONAL LOCKING, SIDE/TOP ENTRY 2M50, POWDER COATED, GREY H24BPR加高上壳, 对角锁定, 侧顶出2M50, 灰色粉末喷涂	M50	M50	TYPE 3 类型 3
T1910240132-002	H24BPR-TSH-XL-M32 H24BPR HEIGHTEN HOOD, DIAGONAL LOCKING, SIDE ENTRY M32, POWDER COATED, BLACK H24BPR加高上壳, 对角锁定, 侧出M32, 黑色粉末喷涂	-	M32	TYPE 2 类型 2
T1910240140-002	H24BPR-TSH-XL-M40 H24BPR HEIGHTEN HOOD, DIAGONAL LOCKING, SIDE ENTRY M40, POWDER COATED, BLACK H24BPR加高上壳, 对角锁定, 侧出M40, 黑色粉末喷涂	-	M40	
T1910240150-002	H24BPR-TSH-XL-M50 H24BPR HEIGHTEN HOOD, DIAGONAL LOCKING, SIDE ENTRY M50, POWDER COATED, BLACK H24BPR加高上壳, 对角锁定, 侧出M50, 黑色粉末喷涂	-	M50	
T1910240163-002	H24BPR-TSH-XL-M63 H24BPR HEIGHTEN HOOD, DIAGONAL LOCKING, SIDE ENTRY M63, POWDER COATED, BLACK H24BPR加高上壳, 对角锁定, 侧出M63, 黑色粉末喷涂	-	M63	
T1910240129-002	H24BPR-TSH-XL-PG29 H24BPR HEIGHTEN HOOD, DIAGONAL LOCKING, SIDE ENTRY PG29, POWDER COATED, BLACK H24BPR加高上壳, 对角锁定, 侧出PG29, 黑色粉末喷涂	-	PG29	
T1910240136-002	H24BPR-TSH-XL-PG36 H24BPR HEIGHTEN HOOD, DIAGONAL LOCKING, SIDE ENTRY PG36, POWDER COATED, BLACK H24BPR加高上壳, 对角锁定, 侧出PG36, 黑色粉末喷涂	-	PG36	
T1910240142-002	H24BPR-TSH-XL-PG42 H24BPR HEIGHTEN HOOD, DIAGONAL LOCKING, SIDE ENTRY PG42, POWDER COATED, BLACK H24BPR加高上壳, 对角锁定, 侧出PG42, 黑色粉末喷涂	-	PG42	
T1910240148-002	H24BPR-TSH-XL-PG48 H24BPR HEIGHTEN HOOD, DIAGONAL LOCKING, SIDE ENTRY PG48, POWDER COATED, BLACK H24BPR加高上壳, 对角锁定, 侧出PG48, 黑色粉末喷涂	-	PG48	
T1920240132-002	H24BPR-TGH-XL-M32 H24BPR HEIGHTEN HOOD, DIAGONAL LOCKING, TOP ENTRY M32, POWDER COATED, BLACK H24BPR加高上壳, 对角锁定, 顶出M32, 黑色粉末喷涂	M32	-	TYPE 1 类型 1
T1920240140-002	H24BPR-TGH-XL-M40 H24BPR HEIGHTEN HOOD, DIAGONAL LOCKING, TOP ENTRY M40, POWDER COATED, BLACK H24BPR加高上壳, 对角锁定, 顶出M40, 黑色粉末喷涂	M40	-	
T1920240150-002	H24BPR-TGH-XL-M50 H24BPR HEIGHTEN HOOD, DIAGONAL LOCKING, TOP ENTRY M50, POWDER COATED, BLACK H24BPR加高上壳, 对角锁定, 顶出M50, 黑色粉末喷涂	M50	-	
T1920240163-002	H24BPR-TGH-XL-M63 H24BPR HEIGHTEN HOOD, DIAGONAL LOCKING, TOP ENTRY M63, POWDER COATED, BLACK H24BPR加高上壳, 对角锁定, 顶出M63, 黑色粉末喷涂	M63	-	
T1920240129-002	H24BPR-TGH-XL-PG29 H24BPR HEIGHTEN HOOD, DIAGONAL LOCKING, TOP ENTRY PG29, POWDER COATED, BLACK H24BPR加高上壳, 对角锁定, 顶出PG29, 黑色粉末喷涂	PG29	-	
T1920240136-002	H24BPR-TGH-XL-PG36 H24BPR HEIGHTEN HOOD, DIAGONAL LOCKING, TOP ENTRY PG36, POWDER COATED, BLACK H24BPR加高上壳, 对角锁定, 顶出PG36, 黑色粉末喷涂	PG36	-	
T1920240142-002	H24BPR-TGH-XL-PG42 H24BPR HEIGHTEN HOOD, DIAGONAL LOCKING, TOP ENTRY PG42, POWDER COATED, BLACK H24BPR加高上壳, 对角锁定, 顶出PG42, 黑色粉末喷涂	PG42	-	
T1920240148-002	H24BPR-TGH-XL-PG48 H24BPR HEIGHTEN HOOD, DIAGONAL LOCKING, TOP ENTRY PG48, POWDER COATED, BLACK H24BPR加高上壳, 对角锁定, 顶出PG48, 黑色粉末喷涂	PG48	-	

THIS DRAWING IS A CONTROLLED DOCUMENT.		OWN: ROY LIU 12SEP2016	 TE Connectivity NAME: H24BPR-TGH/TSH-XL-M/PG
DIMENSIONS: mm		CHK: KYLE ZENG 12SEP2016	
TOLERANCES UNLESS OTHERWISE SPECIFIED: 0 PLC ± 1 PLC ± 2 PLC ± 3 PLC ± 4 PLC ± ANGLES ±		APPD: CHEBS WANG 12SEP2016	
MATERIAL: -		FINISH: -	
CUSTOMER DRAWING		SIZE: A1	RESTRICTED TO: -
SCALE: 1:1		CAGE CODE: -	DRAWING NO: T19X02401XX002
SHEET: 2		OF: 2	
REV: A1			

Mouser Electronics

Authorized Distributor

Click to View Pricing, Inventory, Delivery & Lifecycle Information:

[TE Connectivity:](#)

[T1920240129-002](#) [T1920240132-002](#) [T1920240136-002](#) [T1920240140-002](#) [T1920240142-002](#) [T1920240148-002](#)
[T1920240150-002](#) [T1920240163-002](#)