

Splice box - FOC-FDX20-PP-SCD6-OM4-PT9 - 1019698

Please be informed that the data shown in this PDF Document is generated from our Online Catalog. Please find the complete data in the user's documentation. Our General Terms of Use for Downloads are valid (<http://phoenixcontact.com/download>)



DIN rail splice box, fully mounted ready to splice, for 6x SC duplex (OM4)

DIN rail splice box 6x SC duplex, including pigtails and splice holder

Product Description

DIN rail splice box of the FDX 20 series, equipped with 6x SC duplex couplings, fully assembled and ready for splicing, with pre-assembled 900 µm pigtails (OM4) and splice holder (for separately sold shrink und crimp splice protection) on a patented splice comb made from powder-coated sheet steel. Cable insertion via cable gland either at top or bottom. Housing (2-part) prepared for DIN rail mounting through rear-side adapter (this can also be mounted on the side).

Scope of supply:

DIN rail housing with integrated splice comb (mounted), equipped with 6x SC duplex couplings, 12x pigtail (OM4), 1x splice holder, 1x cable gland (M20x1.5)

Your advantages

- ✓ Intuitive front panel operation and clear control cabinet layout thanks to uniform design
- ✓ Flexible DIN rail mounting possible in three positioning directions
- ✓ Perfectly sized and patented pigtail tray, for convenient splicing and compact bending radii.
- ✓ 6 duplex front connections and compact dimensions, for more space in the control cabinet
- ✓ Suitable for industrial applications
- ✓ Reduced installation time, thanks to pre-assembled, ready-to-splice design
- ✓ Continuously reliable data connection, thanks to extensively tested components
- ✓ 3-stage strain relief
- ✓ easy to install
- ✓ including cable gland
- ✓ Small bunched wire tube is guided directly on the splice holder



Key Commercial Data

| | |
|--------------|---------------|
| Packing unit | 1 pc |
| GTIN | |
| GTIN | 4055626701103 |

Splice box - FOC-FDX20-PP-SCD6-OM4-PT9 - 1019698

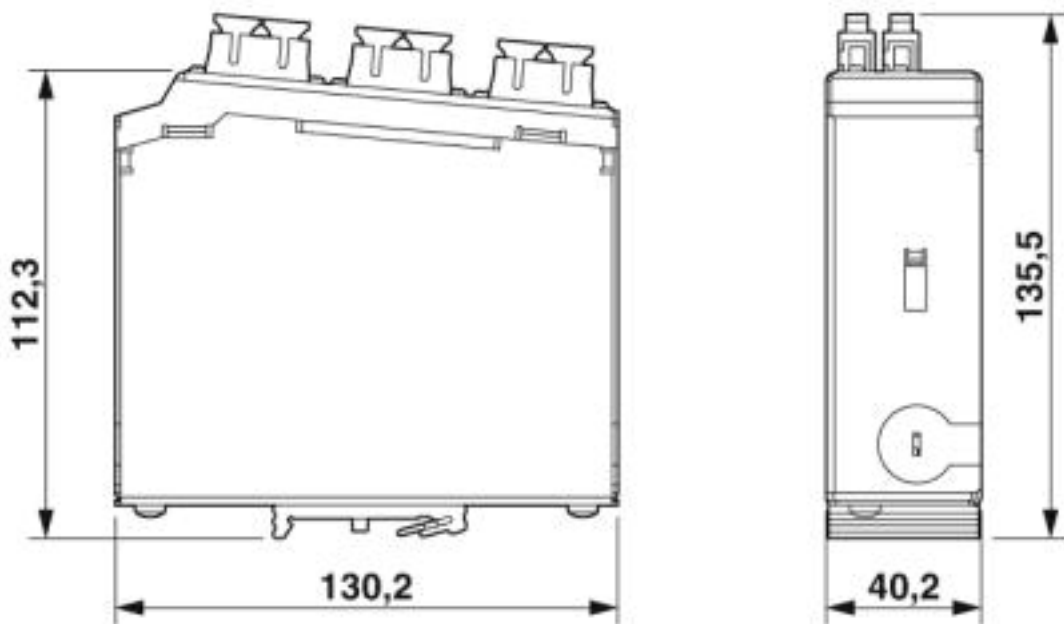
Technical data

Environmental Product Compliance

| | |
|------------|---|
| China RoHS | Environmentally friendly use period: unlimited = EFUP-e |
| | No hazardous substances above threshold values |

Drawings

Dimensional drawing



DIN rail splice box 6x SC duplex OM4, fully mounted ready to splice

Phoenix Contact 2019 © - all rights reserved
<http://www.phoenixcontact.com>

PHOENIX CONTACT GmbH & Co. KG
Flachsmarktstr. 8
32825 Blomberg
Germany
Tel. +49 5235 300
Fax +49 5235 3 41200
<http://www.phoenixcontact.com>