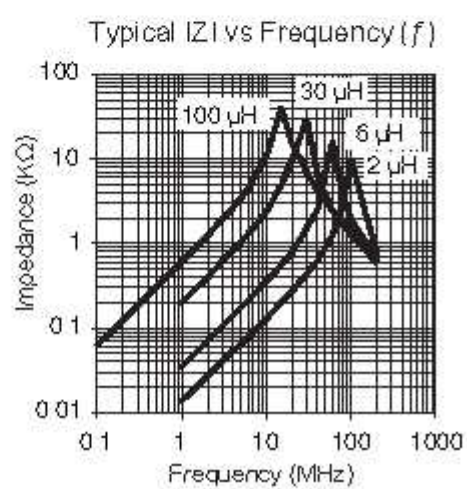
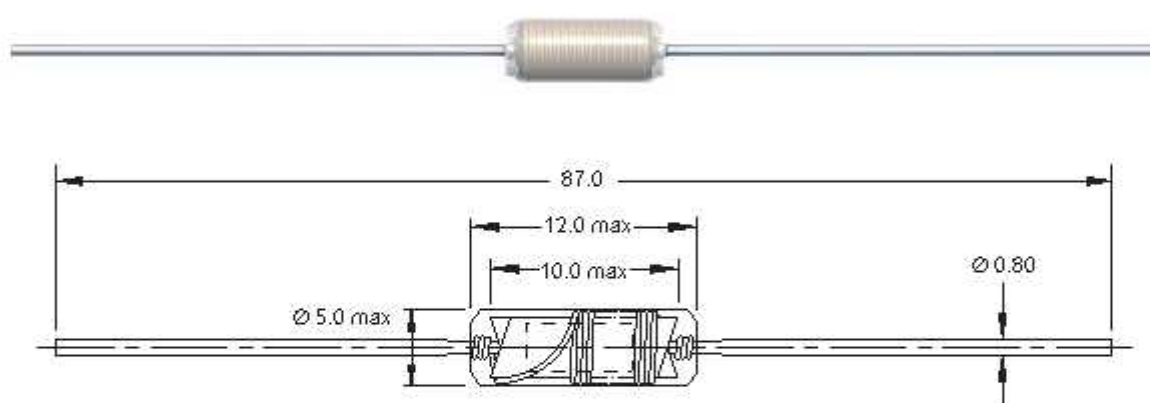


**MISC** 



Part No	Inductance	$f_L$	Tol	DCR	Rated DC
	L (μH)	(kHz)	± (%)	max (mΩ)	Current (A)
MISC-1R0M-YY	1	1000	20	18	4
MISC-2R0M-YY	2	1000	20	54	3
MISC-3R0M-YY	3	1000	20	93	2
MISC-6R0M-YY	6	1000	20	228	1.5
MISC-140M-YY	14	100	20	912	0.7
MISC-300M-YY	30	100	20	3240	0.4
MISC-400M-YY	40	100	20	4290	0.3
MISC-101M-YY	100	100	20	22800	0.15

Single layer

Material : Iron Dust

Revision date 27 Aug 2013

SPQ :

Packing Form	Reel
Axial	1500 [-01]

**Remarks :**

- Available also without insulating material (MISC/B)
- Loose packing [-00] available on request
- Single layer - Model with Insulation Foil are suitable for Application in "Power Line", rated voltage 230V AC (Test voltage 500V DC)

All dimensions in mm