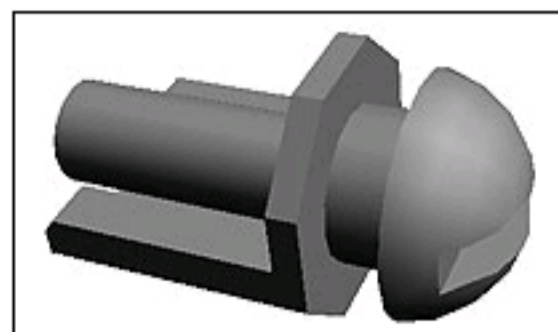




530721-3 Product Details

Share Print Email



530721-3

TE Internal Number: 530721-3

Active

View 3D PDF

.050, .075, .100 Box Connectors - Contacts and Accessories

Always EU RoHS/ELV Compliant (Statement of Compliance)

Product Highlights:

- Accessory
- Accessory Type = Keying Hardware
- Keying Hardware Type = External Key
- Packaging Method = Kit
- For Use With 2-Row Receptacle Assemblies, For Use With 2-Row Straddle Mount Receptacle Assemblies, For Use With 4-Row Receptacle Assemblies

[View all Features](#)

Quick Links

- ▶ Pricing & Availability
- ▶ Search for Tooling
- ▶ Product Feature Selector
- ▶ Contact Us About This Product

Add to My Part List Request Sample Find Similar Products Buy Product

Documentation & Additional Information	
<p>Product Drawings:</p> <ul style="list-style-type: none"> • EXTERNAL KEY, MINI-BOX, STANDARD (PDF, English) <p>Catalog Pages/Data Sheets:</p> <ul style="list-style-type: none"> • None Available <p>Product Specifications:</p> <ul style="list-style-type: none"> • None Available <p>Application Specifications:</p> <ul style="list-style-type: none"> • None Available <p>Instruction Sheets:</p> <ul style="list-style-type: none"> • Alignment Tool for Keying Mini-Box Receptacles (PDF, English) <p>CAD Files: (CAD Format & Compression Information)</p> <ul style="list-style-type: none"> • 2D Drawing (DXF, Version D) • 3D Model (IGES, Version D) • 3D Model (STEP, Version D) 	<p>Additional Information:</p> <ul style="list-style-type: none"> • Product Line Information <p>Related Products:</p> <ul style="list-style-type: none"> • Tooling

[List all Documents](#)

Product Features (Please use the Product Drawing for all design activity)	
<p>Product Type Features:</p> <ul style="list-style-type: none"> • Product Type = Accessory • Accessory Type = Keying Hardware <p>Body Features:</p> <ul style="list-style-type: none"> • Keying Hardware Type = External Key • Key Material = Passivated Stainless Steel <p>Industry Standards:</p> <ul style="list-style-type: none"> • Government/Industry Qualification = No • RoHS/ELV Compliance = RoHS compliant, ELV compliant • Lead Free Solder Processes = Not relevant for lead free process • RoHS/ELV Compliance History = Always was RoHS compliant 	<p>Conditions for Usage:</p> <ul style="list-style-type: none"> • For Use With = 2-Row Receptacle Assemblies, 2-Row Straddle Mount Receptacle Assemblies, 4-Row Receptacle Assemblies <p>Packaging Features:</p> <ul style="list-style-type: none"> • Packaging Method = Kit <p>Other:</p> <ul style="list-style-type: none"> • Brand = AMP • Comment = Kit contains two keys and screws.

Corporate Information

- [About TE](#)
- [Investors](#)
- [News Room](#)
- [Supplier Portal](#)
- [Careers](#)
- [Terms & Conditions](#)
- [Privacy Policy](#)

Quick Links

- [Distributor Inventory](#)
- [Product Cross Reference](#)
- [Documents & Drawings](#)
- [Product Compliance Support Center](#)
- [Site Map](#)

Customer Support

- [Email or Chat With Us](#)
- [Find a Phone Number](#)
- [Knowledge Base](#)
- [Manage Your Account](#)

Keep Me Informed

Receive TE News, Events & Technology Updates

Enter your email address

