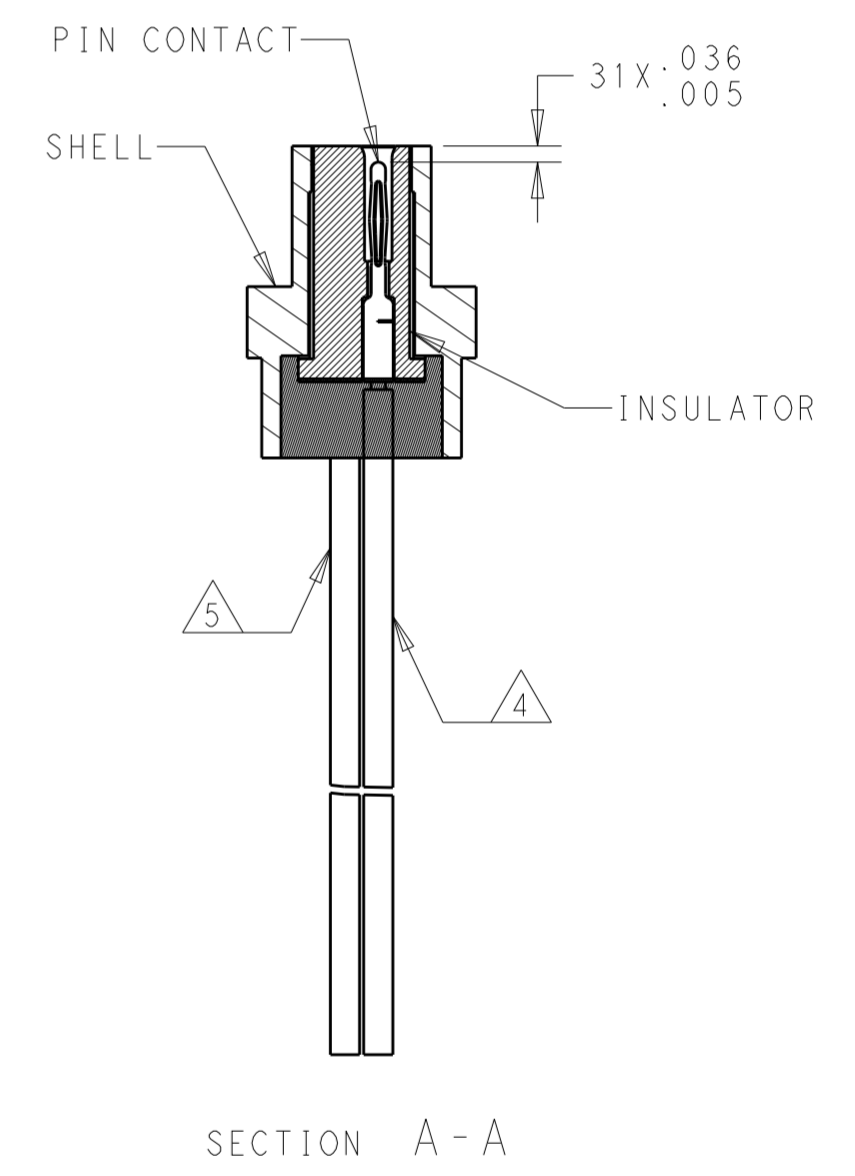
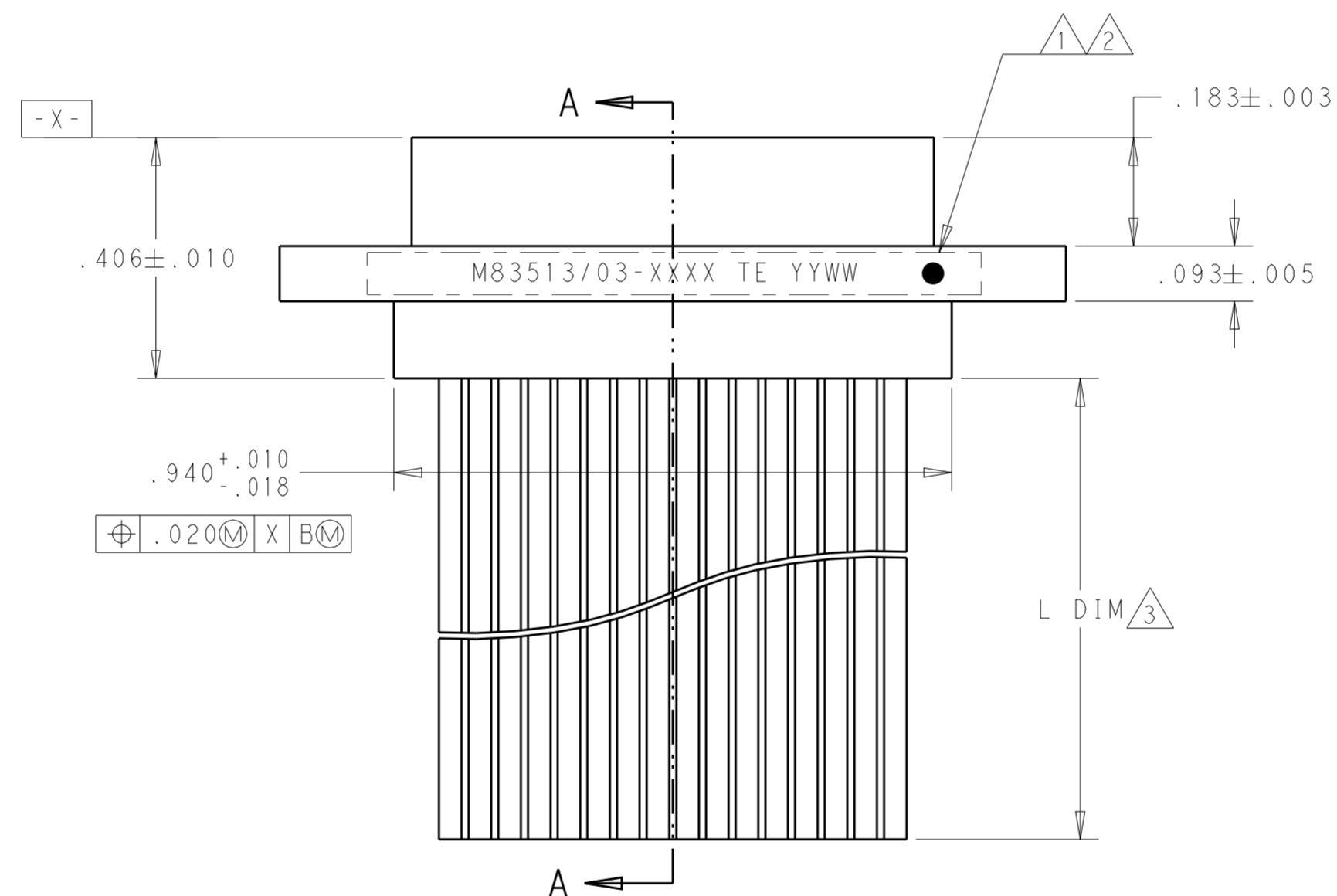
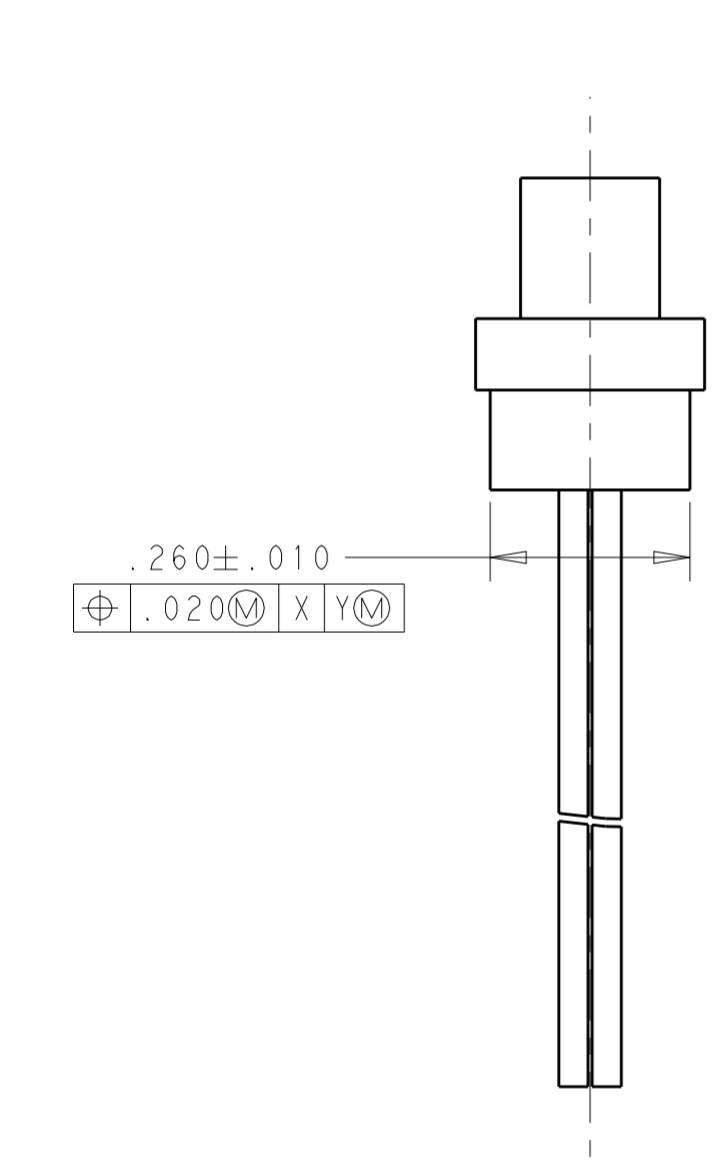
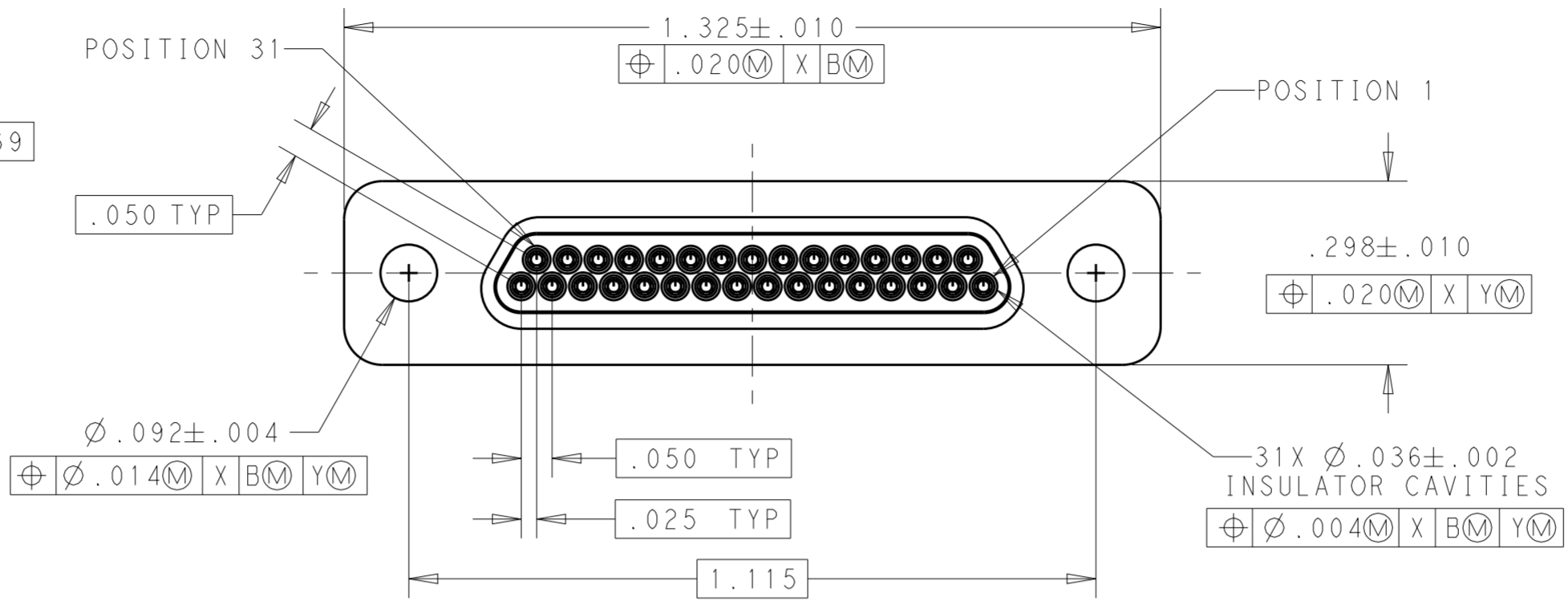
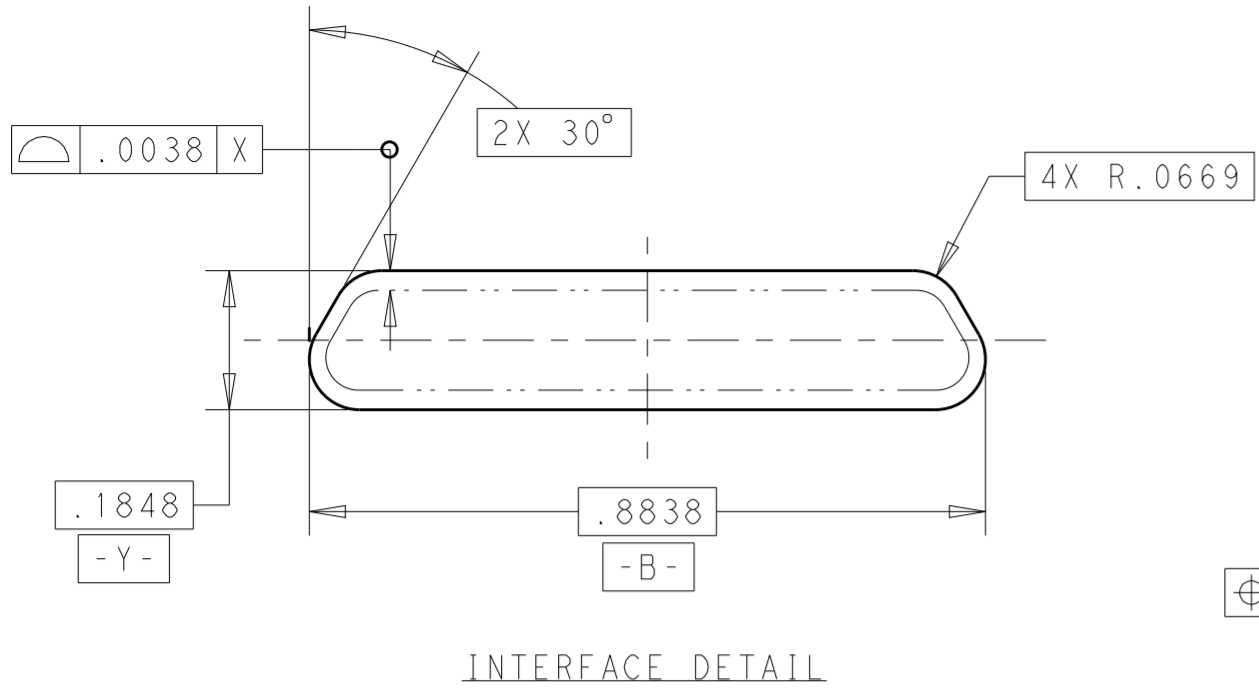


THIS DRAWING IS UNPUBLISHED. RELEASED FOR PUBLICATION 20
 © COPYRIGHT 20 BY - ALL RIGHTS RESERVED.

REVISIONS				
P	LTR	DESCRIPTION	DATE	APVD
B		UPDATE PER ECO-16-010932	22JUL2016	DS CS



- 1 CONNECTOR SHALL BE MARKED IN ACCORDANCE WITH METHOD 1 OF MIL-STD-1285. MARKING SHALL CONTAIN THE MILITARY PIN, CAGE CODE (OR TE), AND DATE CODE. EXAMPLE: M83513/03-XXXX TE YYWW (WHERE XXXX IS PART OF THE PIN SHOWN IN THE "MIL-DTL-83513" COLUMN OF THE PART NUMBER TABLE, AND YYWW IS THE DATE CODE). TEXT HEIGHT SHALL BE .035 INCH MINIMUM.
- 2 POSITION 1 SHALL BE INDICATED BY AN IDENTIFIABLE MARK, LOCATED APPROXIMATELY AS SHOWN ON THE POSITION 1 SIDE OF THE CONNECTOR FLANGE. THIS MARK SHALL BE INCLUDED AS PART OF THE PART MARKING INFORMATION.
- 3 LENGTH IS SHOWN IN THE "L DIM" COLUMN OF THE PART NUMBER TABLE. LENGTH TOLERANCE IS +1.0/-0.0 FOR INSULATED WIRE TERMINATIONS, AND +0.20/-0.00 FOR UNINSULATED WIRE TERMINATIONS.
- 4 INSULATED WIRE IS SHOWN FOR REFERENCE ONLY. PART MAY BE TERMINATED WITH INSULATED OR UNINSULATED WIRE ACCORDING TO THE PART NUMBER TABLE.
- 5 EPOXY ENCAPSULATION. EPOXY MAY WICK .125 INCH MAX FOR INSULATED WIRE, AND .050 INCH MAX FOR UNINSULATED WIRE.
- 6 ALL DIMENSIONS AND REQUIREMENTS ARE PER MIL-DTL-83513/3.

THIS DRAWING IS A CONTROLLED DOCUMENT.		DWN B ROMANCHUK	03SEP2008	TE Connectivity	
DIMENSIONS: IN		CHK M STORRY	03SEP2008		
TOLERANCES UNLESS OTHERWISE SPECIFIED:		APVD		NAME	
0 PLC	±	PRODUCT SPEC		PLUG ASSEMBLY	
1 PLC	±	APPLICATION SPEC		MICRO-D PER MIL-DTL-83513/03	
2 PLC	±.010	WEIGHT		MCKS SERIES, 31 POSITION	
3 PLC	±.005	MATERIAL		SIZE	CAGE CODE
4 PLC	±	SEE NOTES		A2	98278
ANGLES	±1°	CUSTOMER DRAWING		DRAWING NO	C-1532183
FINISH	-	SCALE		RESTRICTED TO	-
	-	4:1		SHEET	1 OF 2
	-	SHEET		REV	B

THIS DRAWING IS UNPUBLISHED. RELEASED FOR PUBLICATION 20
 © COPYRIGHT 20 BY - ALL RIGHTS RESERVED.

REVISIONS				
P	LTR	DESCRIPTION	DATE	APVD
		SEE SHEET 1		

3


1

TE PART NUMBER	L DIM	MIL-DTL-83513 PIN	MICRODOT P/N	MCKS DESCRIPTION
1532183-1	18	M83513/03-E01N	094-6525-0001	MCKS-N1-B-31P6G1-18.0
1532183-2	36	M83513/03-E02N	094-6525-0002	MCKS-N1-B-31P6G1-36.0
1532183-3	18	M83513/03-E03N	094-6525-0003	MCKS-N1-B-31P6G9-18.0
1532183-4	36	M83513/03-E04N	094-6525-0004	MCKS-N1-B-31P6G9-36.0
1532183-5	18	M83513/03-E09N	094-6525-0009	MCKS-N1-B-31P6Q1-18.0
1532183-6	36	M83513/03-E10N	094-6525-0010	MCKS-N1-B-31P6Q1-36.0
1532183-7	18	M83513/03-E11N	094-6525-0011	MCKS-N1-B-31P6Q9-18.0
1532183-8	36	M83513/03-E12N	094-6525-0012	MCKS-N1-B-31P6Q9-36.0
1532183-9	72	M83513/03-E13N	094-6525-0013	MCKS-N1-B-31P6G1-72.0
1-1532183-0	72	M83513/03-E14N	094-6525-0014	MCKS-N1-B-31P6G9-72.0
1-1532183-1	72	M83513/03-E15N	094-6525-0015	MCKS-N1-B-31P6Q1-72.0
1-1532183-2	72	M83513/03-E16N	094-6525-0016	MCKS-N1-B-31P6Q9-72.0
1-1532183-3	0.5	M83513/03-E05N	094-6525-0005	MCKS-N1-B-31P5L4-0.5
1-1532183-4	1.0	M83513/03-E06N	094-6525-0006	MCKS-N1-B-31P5L4-1.0
1-1532183-5	0.5	M83513/03-E07N	094-6525-0007	MCKS-N1-B-31P5L5-0.5
1-1532183-6	1.0	M83513/03-E08N	094-6525-0008	MCKS-N1-B-31P5L5-1.0
1-1532183-7	18	M83513/03-E01C	094-6535-0001	MCKS-C2-B-31P6G1-18.0
1-1532183-8	36	M83513/03-E02C	094-6535-0002	MCKS-C2-B-31P6G1-36.0
1-1532183-9	18	M83513/03-E03C	094-6535-0003	MCKS-C2-B-31P6G9-18.0
2-1532183-0	36	M83513/03-E04C	094-6535-0004	MCKS-C2-B-31P6G9-36.0
2-1532183-1	0.5	M83513/03-E05C	094-6535-0005	MCKS-C2-B-31P5L4-0.5
2-1532183-2	1.0	M83513/03-E06C	094-6535-0006	MCKS-C2-B-31P5L4-1.0
2-1532183-3	0.5	M83513/03-E07C	094-6535-0007	MCKS-C2-B-31P5L5-0.5
2-1532183-4	1.0	M83513/03-E08C	094-6535-0008	MCKS-C2-B-31P5L5-1.0
2-1532183-5	18	M83513/03-E09C	094-6535-0009	MCKS-C2-B-31P6Q1-18.0
2-1532183-6	36	M83513/03-E10C	094-6535-0010	MCKS-C2-B-31P6Q1-36.0
2-1532183-7	18	M83513/03-E11C	094-6535-0011	MCKS-C2-B-31P6Q9-18.0
2-1532183-8	36	M83513/03-E12C	094-6535-0012	MCKS-C2-B-31P6Q9-36.0
2-1532183-9	72	M83513/03-E13C	094-6535-0013	MCKS-C2-B-31P6G1-72.0
3-1532183-0	72	M83513/03-E14C	094-6535-0014	MCKS-C2-B-31P6G9-72.0
3-1532183-1	72	M83513/03-E15C	094-6535-0015	MCKS-C2-B-31P6Q1-72.0
3-1532183-2	72	M83513/03-E16C	094-6535-0016	MCKS-C2-B-31P6Q9-72.0

3

1

TE PART NUMBER	L DIM	MIL-DTL-83513 PIN	MICRODOT P/N	MCKS DESCRIPTION
3-1532183-3	18	M83513/03-E01P	094-6545-0001	MCKS-P1-B-31P6G1-18.0
3-1532183-4	36	M83513/03-E02P	094-6545-0002	MCKS-P1-B-31P6G1-36.0
3-1532183-5	18	M83513/03-E03P	094-6545-0003	MCKS-P1-B-31P6G9-18.0
3-1532183-6	36	M83513/03-E04P	094-6545-0004	MCKS-P1-B-31P6G9-36.0
3-1532183-7	0.5	M83513/03-E05P	094-6545-0005	MCKS-P1-B-31P5L4-0.5
3-1532183-8	1.0	M83513/03-E06P	094-6545-0006	MCKS-P1-B-31P5L4-1.0
3-1532183-9	0.5	M83513/03-E07P	094-6545-0007	MCKS-P1-B-31P5L5-0.5
4-1532183-0	1.0	M83513/03-E08P	094-6545-0008	MCKS-P1-B-31P5L5-1.0
4-1532183-1	18	M83513/03-E09P	094-6545-0009	MCKS-P1-B-31P6Q1-18.0
4-1532183-2	36	M83513/03-E10P	094-6545-0010	MCKS-P1-B-31P6Q1-36.0
4-1532183-3	18	M83513/03-E11P	094-6545-0011	MCKS-P1-B-31P6Q9-18.0
4-1532183-4	36	M83513/03-E12P	094-6545-0012	MCKS-P1-B-31P6Q9-36.0
4-1532183-5	72	M83513/03-E13P	094-6545-0013	MCKS-P1-B-31P6G1-72.0
4-1532183-6	72	M83513/03-E14P	094-6545-0014	MCKS-P1-B-31P6G9-72.0
4-1532183-7	72	M83513/03-E15P	094-6545-0015	MCKS-P1-B-31P6Q1-72.0
4-1532183-8	72	M83513/03-E16P	094-6545-0016	MCKS-P1-B-31P6Q9-72.0

THIS DRAWING IS A CONTROLLED DOCUMENT.		DWN B ROMANCHUK	03SEP2008	 TE Connectivity	
DIMENSIONS: IN		CHK -	-		
TOLERANCES UNLESS OTHERWISE SPECIFIED:		APVD M STORRY	03SEP2008	NAME PLUG ASSEMBLY	
0 PLC ±		PRODUCT SPEC		MICRO-D PER MIL-DTL-83513/03	
1 PLC ±		APPLICATION SPEC		MCKS SERIES, 31 POSITION	
2 PLC ±.010		WEIGHT		SIZE A2	CAGE CODE 98278
3 PLC ±.005		CUSTOMER DRAWING		DRAWING NO G-1532183	RESTRICTED TO -
4 PLC ±		SCALE 4:1		SHEET 2	OF 2
ANGLES ±1°		REV B			
FINISH					
MATERIAL SEE NOTES					

Mouser Electronics

Authorized Distributor

Click to View Pricing, Inventory, Delivery & Lifecycle Information:

[TE Connectivity:](#)

[2-1532183-0](#)