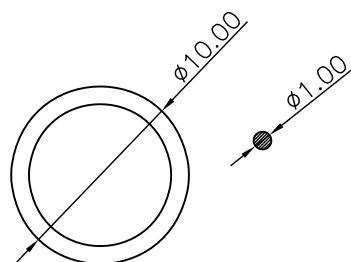
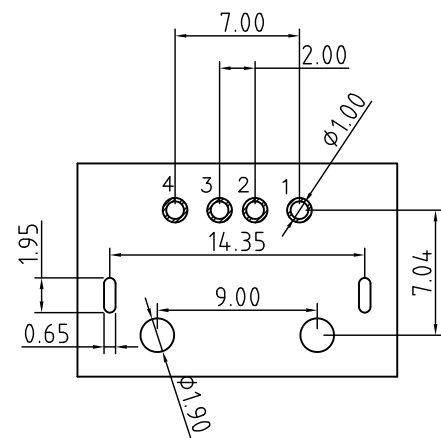
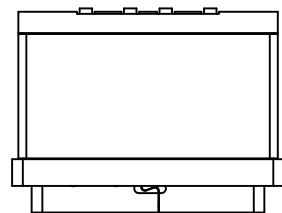
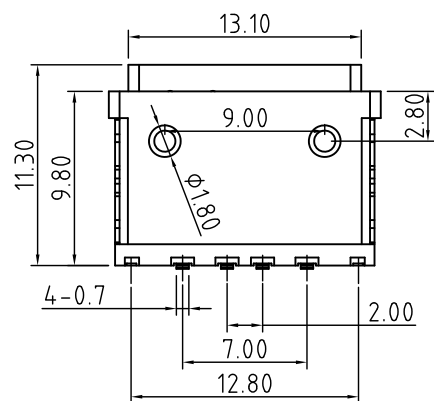


规格书:

1. 额定电流: 3.0A
2. 耐电压: 500VAC
3. 工作温度范围: $-30^{\circ}\text{C} \sim 85^{\circ}\text{C}$
4. 接触阻抗: 接触阻抗 $\leq 30\text{m}\Omega$
5. 绝缘阻抗: 绝缘阻抗 $\geq 1000\text{M}\Omega$
6. 插入力: $8\text{N} \sim 35\text{N}$
7. 拔出力: $8\text{N} \sim 35\text{N}$
8. 插拔耐久: 1500 CYCLES



注: 防水圈是圆形截面, 直径为1.0mm的硅胶圈, 防水圈挤压量, 由1.0mm挤压到 0.4mm ~ 0.5mm, 防水效果好

RECOMMENDED PCB LAYOUT(TOP VIEW)
 DEFAULT TOLERANCE ± 0.05
 THICKNESS T=1.0mm

PIN ASSIGNMENT

PIN NO.	1	2	3	4
SINGAL NAME	GND	D+	D-	VBUS

3	Shell	1	SUS 301 1/4H	
3	PLASTIC Shell	1	PA9T&LCP (G.F30%)	
2	Contact	4	BRASS C2680-EH Au/Ni Plating T=0.25mm	
1	Housing	1	PA10T (G.F30%)	
ITEM	PART NAME	Q' TY	FINISH	NOTE



深圳市华宇创精密电子有限公司

TOLERANCE: X.X ± 0.30 X.XX ± 0.25 X.XXX ± 0.15 X' $\pm 2'$ X.X' $\pm 0.5'$	DRAWN BY : 陈一鸣	DATE : 2014-02-23	PART NAME: USB 2.0 AF 防水板上DIP 带柱
	CHECKED BY: 马跃	DATE : 2014-02-23	PART NO. HVCW263-USBA04-980B
UNIT: mm [inch] SCALE:1:1 SIZE: A4	APPROVED BY: 邱敏	DATE : 2014-02-23	DRAW NO: HVC-2206101015
			SHEET NO. 1 OF 1