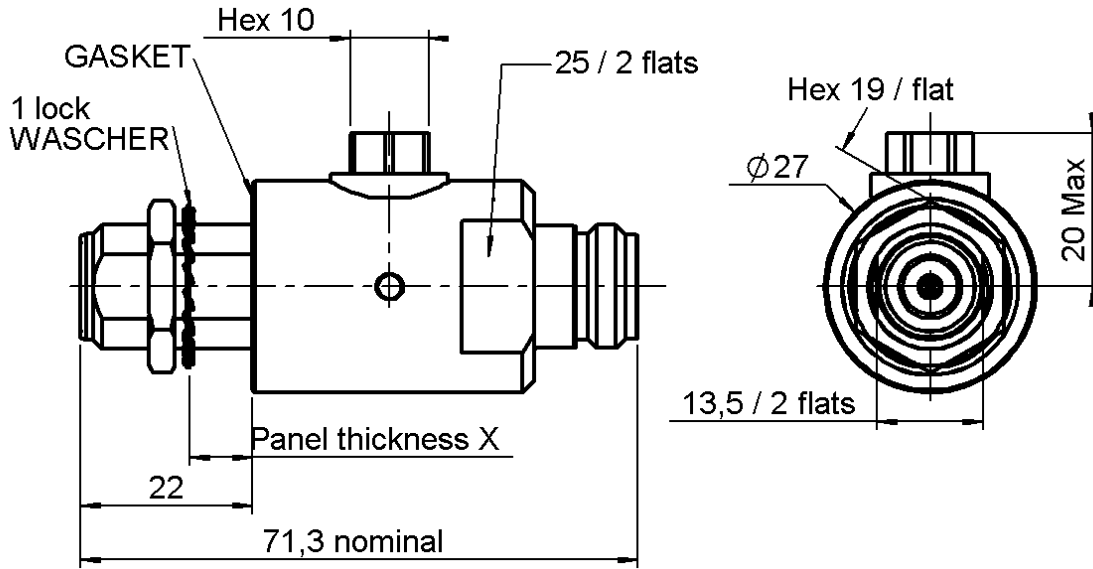


GAS DISCHARGE TUBE DC-2.5 GHZ

R445.G00.000

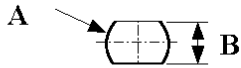
BULKHEAD N F TO N F

Series : GDT



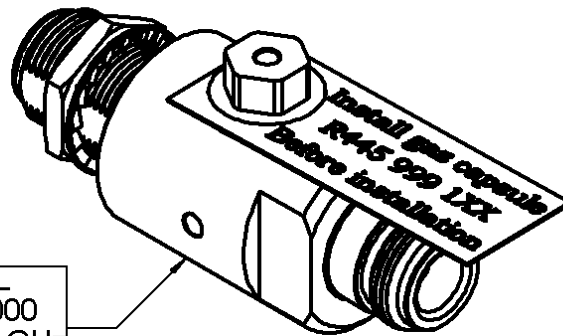
X : mini = 1.5
max = 6

PANEL CUT OUT

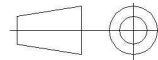


| mm | | |
|----|------|------|
| | Maxi | mini |
| A | 16.1 | 16 |
| B | 13.7 | 13.6 |

RADIALL
R445G00000
GDT DC-2.5 GHz
Lot: An Se



All dimensions are in mm.



| COMPONENTS | MATERIALS | PLATINGS (µm) |
|----------------|-------------------------|-----------------------|
| BODY | BRASS | BBR 0.5 OVER SILVER 3 |
| CENTER CONTACT | BERYLLIUM COPPER, BRASS | BBR 0.5 OVER SILVER 3 |
| OUTER CONTACT | BRASS | BBR 0.5 OVER SILVER 3 |
| INSULATOR | PTFE | |
| GASKET | SILICONE RUBBER | |
| OTHERS PARTS | BRASS | BBR 2 |
| - | - | - |
| - | - | - |

Issue : 0339 A

In the effort to improve our products, we reserve the right to make changes judged to be necessary.



GAS DISCHARGE TUBE DC-2.5 GHZ

R445.G00.000

BULKHEAD N F TO N F

Series : **GDT**

PACKAGING

| Standard | Unit | Other |
|----------|------|-------------------|
| 1 | - | Contact us |

SPECIFICATION

ELECTRICAL CHARACTERISTICS

SURGE ARRESTER CAPSULE

(Not supplied)

| | | |
|-----------------------|-------------------------|--|
| Impedance | | 50 Ω |
| First frequency band | 0 to 2500 | MHz |
| VSWR | | 1.2 Maxi |
| Insertion loss | | 0.2 dB Maxi |
| Second frequency band | NA to NA | MHz |
| VSWR | | NA Maxi |
| Insertion loss | | NA dB Maxi |
| RF leakage | - (| 100 - F(GHz)) dB Maxi |
| Residual Voltage | 350 V at | 2.5 kA (8/20µs test pulse waveform) |
| Intermodulation | | NA dBm (2x20W) |

| | |
|----------------------------|------------------------------------|
| Form | BUTTON METAL-CERAMIC DIA8x6 |
| Radiall part number : | SEE TDS R4459991** |
| Recommended torque for nut | 600 N.cm |

OTHERS CHARACTERISTICS

measured with R445.999.103 arrester

MECHANICAL CHARACTERISTICS

| | |
|----------------------------|------------------------|
| Protected connector | N - FEMALE |
| Unprotected connector | N - FEMALE |
| Center contact retention | |
| Axial force – Mating end | 27 N mini |
| Axial force – Opposite end | 27 N mini |
| Torque | NA N.cm mini |
| Recommended torque | |
| Mating (protected) | NA N.cm |
| Mating (unprotected) | NA N.cm |
| Panel nut | 500 N.cm |
| Clamp nut | NA N.cm |
| A/F clamp nut | 0.000 mm |
| Mating life | 500 Cycles mini |
| Weight | 178.889 g |

ENVIRONMENTAL

| | |
|-----------------------|---------------------|
| Operating temperature | -40/+80 °C |
| Hermetic seal | NA Atm.cm3/s |
| Panel leakage | IP67 |

Issue : 0339 A

In the effort to improve our products, we reserve the right to make changes judged to be necessary.

