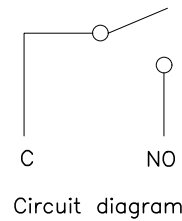
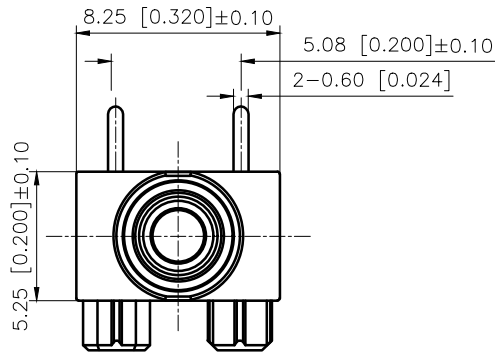
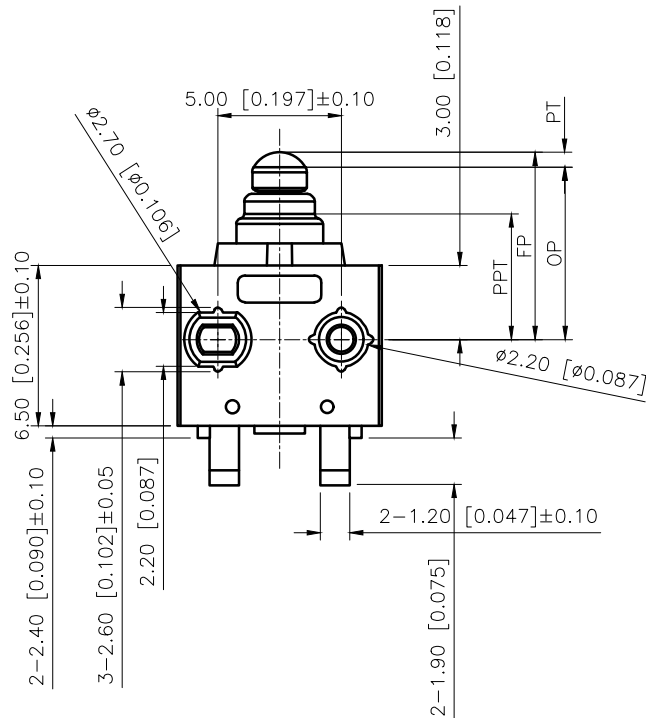


REVISIONS					
REV.	ECN NO.	LOCATION	DESCRIPTION	DATE	DESIGN
A0	N/A		INITIAL RELEASE	/	/
A1	N/A		图面升级整理图面	2025.06.23	阿树



Technical Parameters

- 1.Electrical Rating: 0.1A 125/250VAC
0.1A/12VDC
- 2.Electrical lifetime:100 000
- 3.Mechanical lifetime:100 000
- 4.Contact Resistance: ≤50mΩ
- 5.Operating force:1.5N MAX
- 6.Free Position:7.6mm MAX
- 7.Operation Position:7.1±0.3mm
- 8.TTP:5.1mm Min
- 9.Withstand Voltage:Feet and Feet 500V/5S/5mA
Feet and Shell 1500/5S/5mA
- 10.Insulation Resistance:≥100MΩ(Test Voltage 500VDC)
- 11.Proof Tracking Index(PTI):175V



Waterproof grade:IP67

1	Rubber shell	PA66
2	seal ring	Silica gel
3	base	Brass+PA66
4	According to sincerity	POM
5	Contact moving plate	C5191+AgNi10
6	Strut	SUS301-H

AuGLAR	±5°
X.	±0.40
X.x	±0.30
X.xx	±0.20
X.xxx	±0.15
UNSPECIFIED TOLERANCES	



DESIGN
CHECKED
APPROVED

阿树

VIEW:

UNIT: mm/in

SIZE: A4

MODEL TYPE:
MICRO SWITCH

PART NO.:
DF1-CZ-3

DWG NO.:

XKB INDUSTRIAL PRECISION CO.,LIMITED

SCALE	PAGE	REVISION
N/A	1/1	A1