



E-NETTR 10/100 Base-T Quad Port Transformer Module

P/N: H4009G

- * Designed to meet IEEE802.3ab requirement
- * Lead-Free & Designed to meet RoHS requirement
- * Designed to meet IR 255°C peak Requirement.
- * Operating temperature range: -40°C to +85°C
- * Storage temperature range: -40°C to +85°C

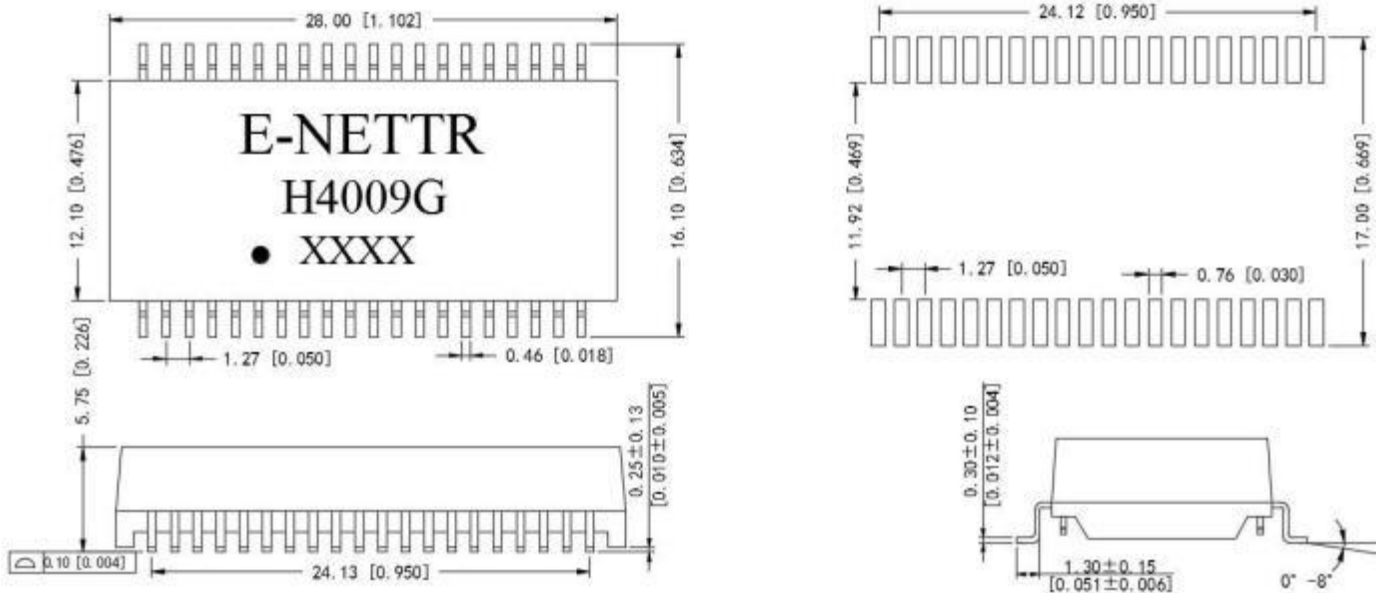
Electrical Specifications@25°C

Part Number	Turn Ratio (±3%)	OCL(uH Min) @ 100KHz/0.1V with 8mADC Bias	L.L (uH Max)	C _{w/w} (pF Max)	DCR (Ω Max)	Hi-Pot (Vrms MIN)
H4009G	1CT:1CT	350	0.5	28	1.2	AC 1500V 1mA 1S

Continue

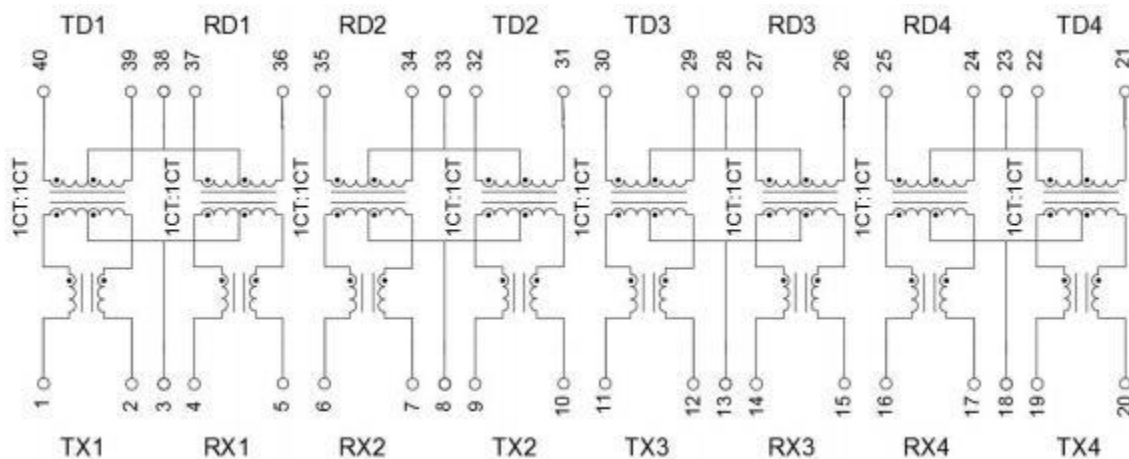
Part Number	Insertion Loss 0.3~100MHZ (dB Max)	Return Loss (dB Min)				Cross Talk (dB Min)			DCMR (dB Min)		
		0.3-30MH	60MHz	80MHz	100MHz	30MHz	50MHz	100MHz	30MHz	60MHz	100MHz
H4009G	-1.1	-18	-14	-12	-10	-40	-35	-30	-40	-35	-30

Mechanical



Unless:mm[inch] Tolerances: xx.xo± 0.25[0.010]
o.xx± 0.05[0.002]

Schematic



东莞市祥星电子有限公司

地址: 东莞市石碣镇横滘科技中路第三工业区

Miss Xie:13549396638

TEL:0769-86384669 FAX:0769-81813600

Http://www.e-nettr.com

xingguang@e-nettr.com