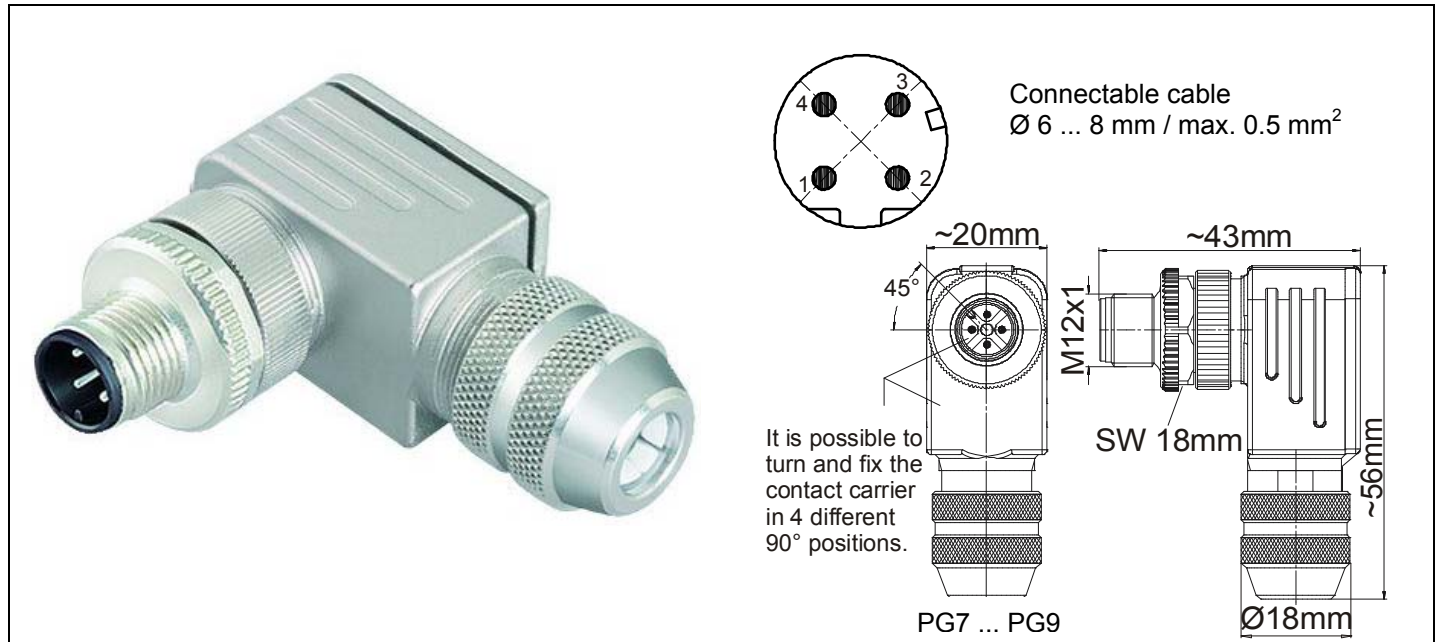


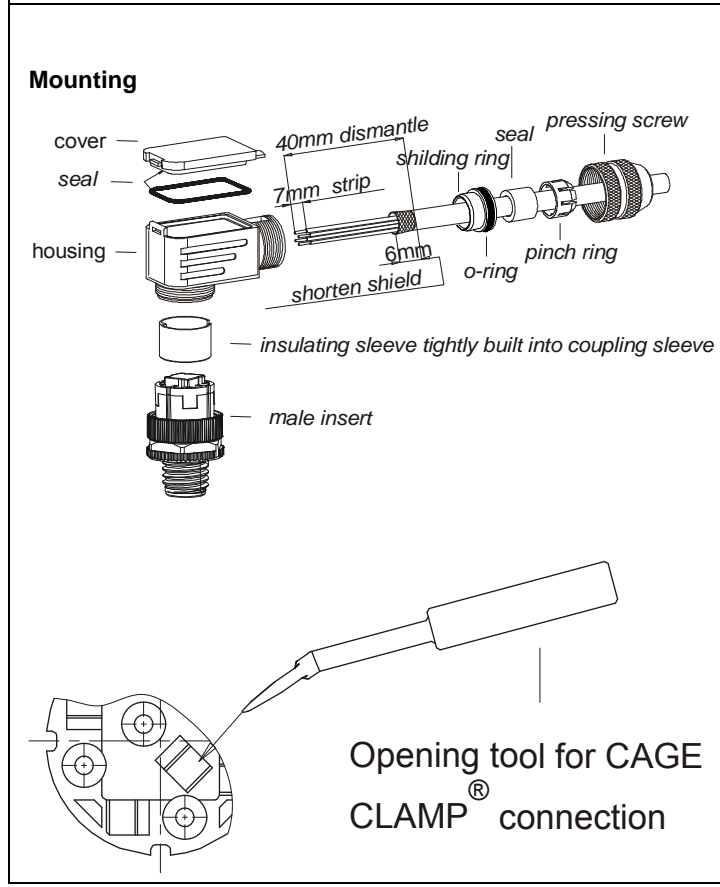
M12 EtherNet, PROFINET plug, right angle

1/1

Data Sheet



Description	Item no.	Pack. unit pcs
M12 plug, D- coded, right angle, 4- poles, spring clamp technology, configurable	756-9501/040-000	1



Technical data	
General:	
Housing material	Zinc die casting
Housing surface	Nickel-plated
Contact material	brass (CuZn)
Insert material	PA/PBT
Contact plating	Gold (Au)
Type of connection	Spring clamp
Seal	Neoprene
O-Ring	Viton
Temperature range	-25 °C ... +85 °C
Cable entry	Ø 6-8 mm
Kind of locking	Screw locking M12
Mating cycles	100
Class of protection	IP67 in locked position
Electrical data:	
Pole number	4
Contact number	4
Conductor size	max. 0.5 mm ² (AWG 20)
Rated current	4 A (40 °C)
Rated voltage	250 V
Test voltage	2.5 kV AC
Overvoltage category	II
Material group	III
Transition resistance	≤3 mΩ
Pollution degree	3