







cable connector for circuit breaker Size S0 with screw terminal (individual unit packaging)

product category	Infeed systems		
product designation	Connection plug		
suitability for use	circuit-breakers 3RV2		
General technical data			
size of the circuit-breaker	S0		
power loss [W] for rated value of the current at AC in hot operating state per pole	1.6 W		
type of calculation of power loss depending on pole	quadratic		
thermal current	32 A		
Substance Prohibitance (Date)	07/01/2006		
number of poles for main current circuit	3		
operating voltage at AC rated value	690 V		
operational current rated value	32 A		
UL/CSA ratings			
operating voltage at AC according to UL rated value	600 V		
Environmental footprint			
Environmental Product Declaration(EPD)	Yes		
Global Warming Potential [CO2 eq] total	9.06 kg		
Global Warming Potential [CO2 eq] during manufacturing	0.313 kg		
Global Warming Potential [CO2 eq] during operation	8.72 kg		
Global Warming Potential [CO2 eq] after end of life	0.022 kg		
Electrical Safety			
protection class IP on the front according to IEC 60529	IP20		
touch protection on the front according to IEC 60529	finger-safe, for vertical contact from the front		
Connections/ Terminals			
type of electrical connection for main current circuit	plug-in without terminals		
Approvals Certificates			
General Product Approval		Test Certificates	Marine / Shipping
Confirmation		 EG-Konf.	
		Special Test Certificate	
Marine / Shipping			other



[Confirmation](#)

other Railway Environment

[Miscellaneous](#)



[Special Test Certificate](#)



[Environmental Confirmations](#)

Further information

Information on the packaging

<https://support.industry.siemens.com/cs/ww/en/view/109813875>

Information- and Downloadcenter (Catalogs, Brochures,...)

<https://www.siemens.com/ic10>

Industry Mall (Online ordering system)

<https://mall.industry.siemens.com/mall/en/en/Catalog/product?mlfb=3RV1927-5AA00>

Cax online generator

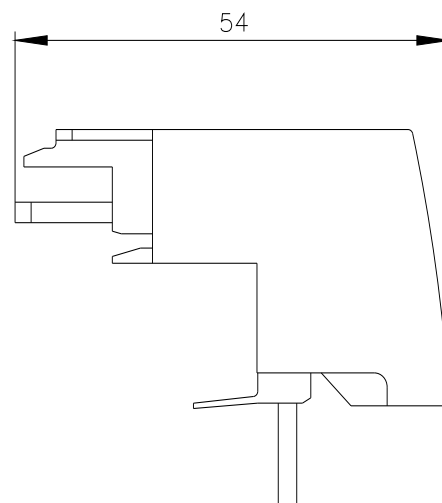
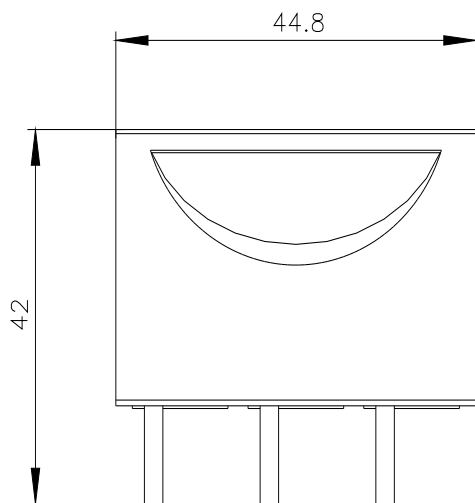
<http://support.automation.siemens.com/WW/CAXorder/default.aspx?lang=en&mlfb=3RV1927-5AA00>

Service&Support (Manuals, Certificates, Characteristics, FAQs,...)

<https://support.industry.siemens.com/cs/ww/en/ps/3RV1927-5AA00>

Image database (product images, 2D dimension drawings, 3D models, device circuit diagrams, EPLAN macros, ...)

http://www.automation.siemens.com/bilddb/cax_de.aspx?mlfb=3RV1927-5AA00&lang=en



last modified:

1/10/2024