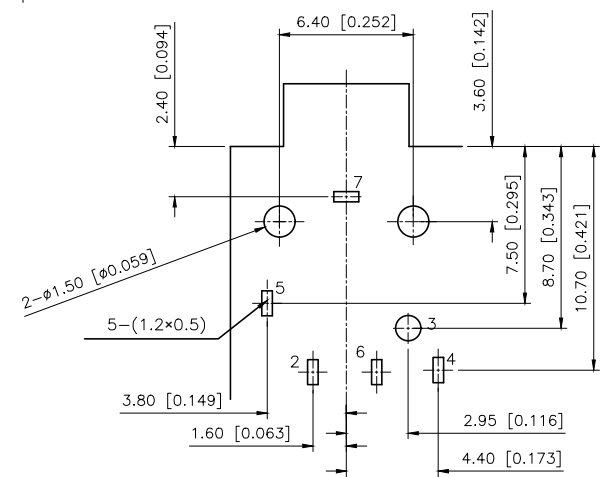
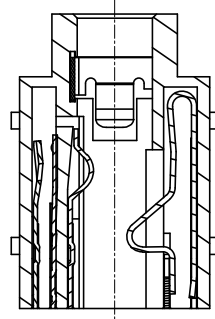
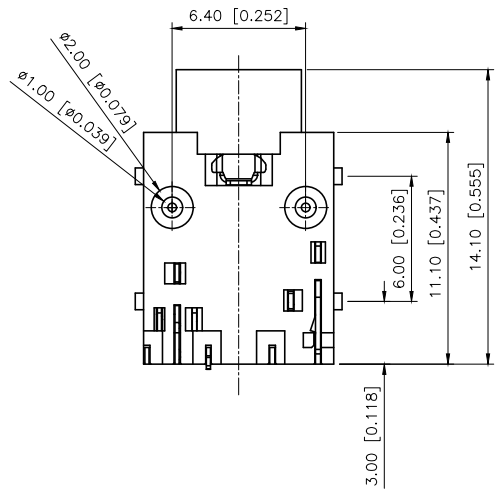
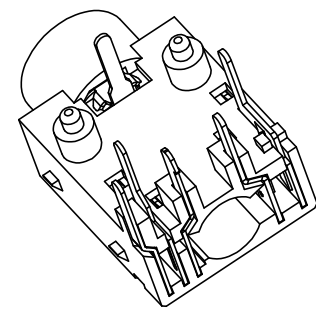
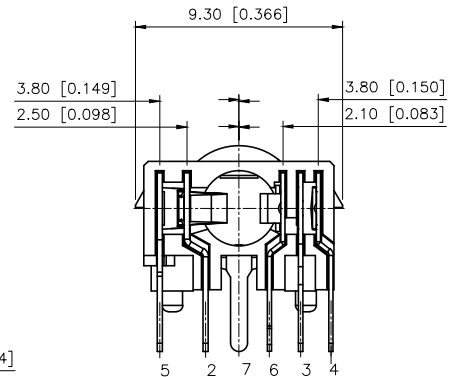
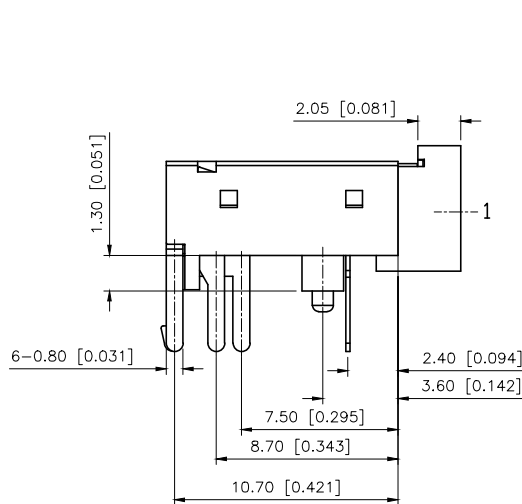
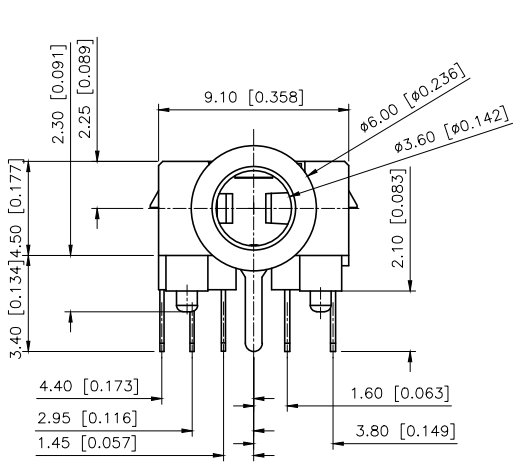
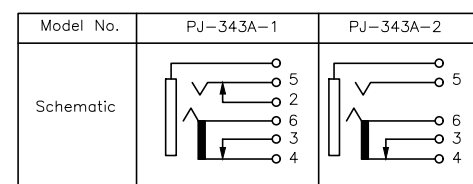


REVISIONS					
REV.	ECN NO.	LOCATION	DESCRIPTION	DATE	DESIGN
A0	N/A		INITIAL RELEASE	/	/
A1	N/A		图面升级整理图面	2025.06.27	阿树



PCB Holes diagram
Top View



	Plastic	High Temp. Thermoplastic	
Terminal 7	Phosphor Bronze	Gold	
Terminal 6	Phosphor Bronze	Gold	
Terminal 5	Phosphor Bronze	Gold	
Terminal 4	Phosphor Bronze	Gold	
Terminal 3	Phosphor Bronze	Gold	
Terminal 2	Phosphor Bronze	Gold	
PAPT NAMF	MATERIAL	PLATING	

AuGLAR	±5°
X.	±0.40
X.x	±0.30
X.xx	±0.20
X.xxx	±0.15
UNSPECIFIED TOLERANCES	



DESIGN	阿树
CHECKED	
APPROVED	

VIEW:	
UNIT:	mm/in
SIZE:	A4

MODEL TYPE:	3.5 PHONE JACK
PART NO.:	PJ-343A-X
DWG NO.:	