

# Targan Quad

## Quad Band GSM Stubby Antenna

### Features

- ◆ Groundplane Dependent
- ◆ Covers 850/900 and 1800/1900 MHz bands
- ◆ SMA or FME connector options
- ◆ Ideal for fixed and mobile terminals

### Specifications

Radiating element	1/4 Wave Element
Frequency range	806-960/1710-1990 MHz
Peak gain	1.0 dBi
Polarisation	Linear
Return loss	< -6.0dB
Power rating	10W
Connector	SMA-Male RA, SMA-Male Straight, FME-Female RA
Dimensions	54 x 8mm (plus connector)

### Popular Ordering Options

FTAQ35186-SM-RA	Targan Quad with SMA-Male RA connector
FTAQ35186-SM-ST	Targan Quad with SMA-Male ST connector
FTAQ35186-FM-ST	Targan Quad with FME-Female ST connector
FTAQ35186-FM-RA	Targan Quad with FME Female RA connector

Specifications subject to change without notice.

5 Little Balmer  
Buckingham Industrial Park  
Buckingham  
MK18 1TF  
UK

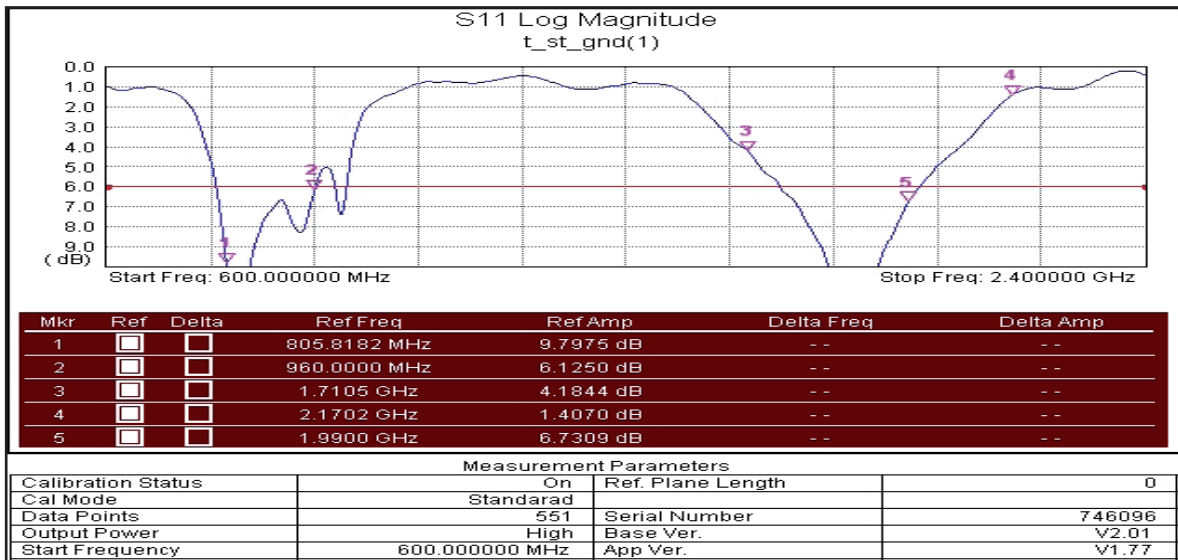
Tel: +44 (0)1280 824055  
Fax: +44 (0)1280 817179  
Email: [sales@ead-ltd.com](mailto:sales@ead-ltd.com)  
Web: [www.ead-ltd.com](http://www.ead-ltd.com)

**EAD**  
embedded antenna design ltd  
*Delivering Antenna Innovation*

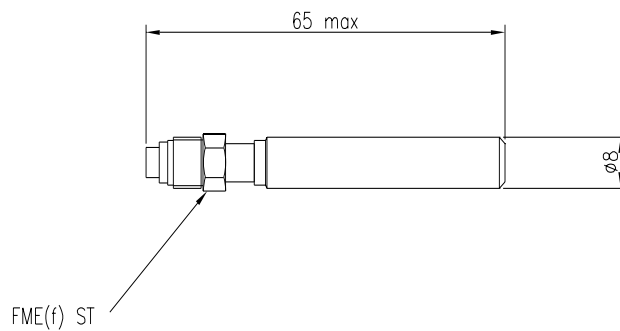


## Targan Quad | Quad Band GSM Stubby Antenna

### Return Loss



### Outline Drawing



Specifications subject to change without notice.

5 Little Balmer  
Buckingham Industrial Park  
Buckingham  
MK18 1TF  
UK

Tel: +44 (0)1280 824055  
Fax: +44 (0)1280 817179  
Email: sales@ead-ltd.com  
Web: www.ead-ltd.com