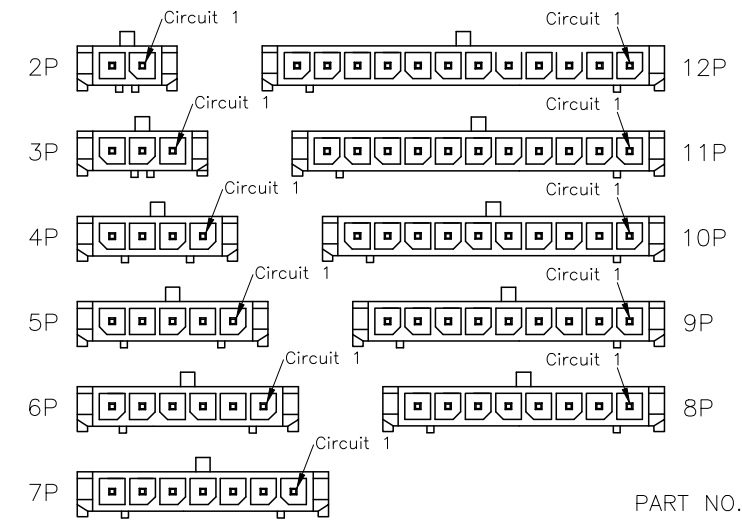
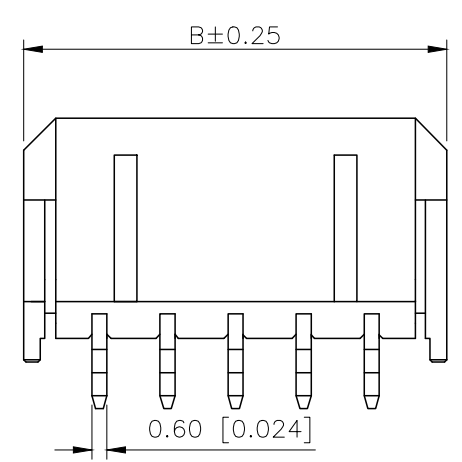
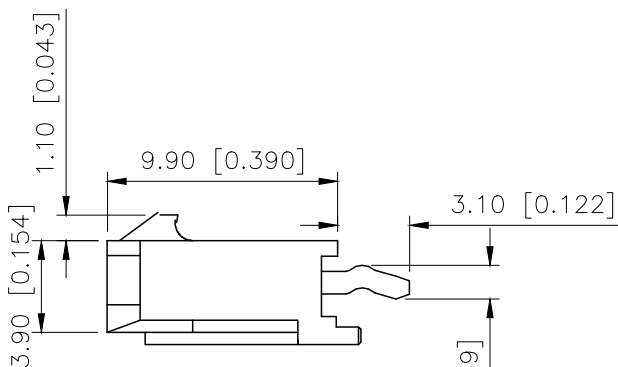
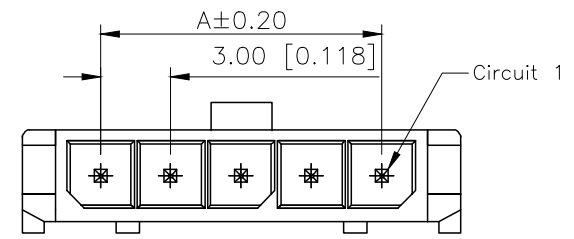


REVISIONS					
REV.	ECN NO.	LOCATION	DESCRIPTION	DATE	DESIGN
A1	N/A		图框升级整理图面	2024.07.17	阿树



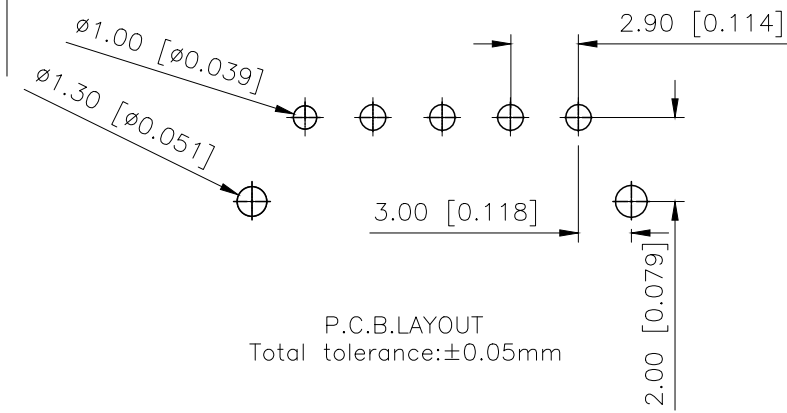
- SPECIFICATIONS
- Voltage rating: 250V AC/DC
  - Current rating: 5A AC/DC
  - Withstanding Voltage: 1500V AC/minute
  - Temperature range: -45°C + 125°C
  - Insulation resistance: ≥ 1000MΩ
  - Contact resistance: ≤ 10mΩ
  - After environmental testing: ≤ 20mΩ

PART NO.:

X3025 W V-XX-66 SW XX  
 ① ② ③ ④ ⑤ ⑥ ⑦

- ① Series No
- ② Category: W-Wafer
- ③ Welding Board Angle: V-Straight 180°
- ④ Row No-Pin No: XX-02P~12P
- ⑤ Material: 66-PA66 UL94V-0  
 N0-PA9T UL94V-0  
 46-PA46 UL94
- ⑥ Planting: SW-Matte Tin
- ⑦ Color: Blank-natural color Black

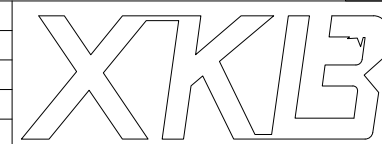
Poles	Dimensions (mm)		
	A	B	C
02	3.00	9.65	9.00
03	6.00	12.65	12.00
04	9.00	15.65	15.00
05	12.00	18.65	18.00
06	15.00	21.65	21.00
07	18.00	24.65	24.00
08	21.00	27.65	27.00
09	24.00	30.65	30.00
10	27.00	33.65	33.00
11	30.00	36.65	36.00
12	33.00	39.65	39.00



P.C.B. LAYOUT  
 Total tolerance: ±0.05mm

X3025WV-XX-46SW	PA46 UL 94V-0	Brass	Tin-Plated	X3025H
X3025WV-XX-9TSW	PA9T UL 94V-0			
X3025WV-XX-66SW	PA66 UL 94V-0			
PART NO	Material	Material(Pin)	Finish(Pin)	Mates With XKB Housing

ANGULAR	±5°
X.	±0.40
X.x	±0.30
X.xx	±0.20
X.xxx	±0.15
UNSPECIFIED TOLERANCES	



DESIGN	阿树	VIEW:		MODEL TYPE:	3.00mm Crimp Style Connectors
CHECKED		UNIT:	mm/in	PART NO.:	X3025WV-XX-N0SW
APPROVED		SIZE:	A4	DWG NO.:	

XKB INDUSTRIAL PRECISION CO., LIMITED

SCALE	PAGE	REVISION
N/A	1/1	A1