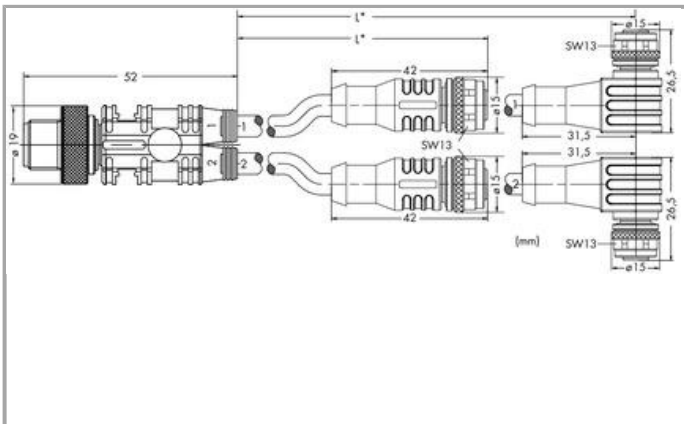
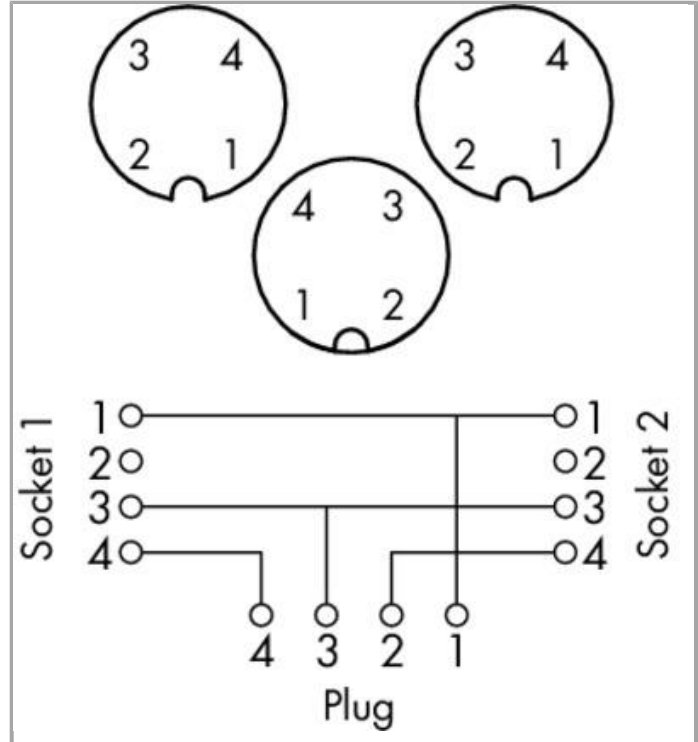


Data sheet | Item number: 756-5516/040-010

Sensor/actuator distribution cable; fitted on both ends; 4-pole; 2 x M12 socket, straight; M12 plug, straight; 1 m



www.wago.com/756-5516/040-010



Item description

Short description:

- PUR, halogen-free
- Suitable for drag chains
- Good resistance to microbes, hydrolysis, oil, chemicals and UV radiation.
- Good chemical resistance.
- Cable used: UL listed



Data

Technical Data

Connection type	M12 socket; M12 socket
No. of poles	4
Leitungsanschlussrichtung zur Steckrichtung	0°
Leitungsanschlussrichtung zur Steckrichtung (2)	0°
Steckgesichtskodierung Leitung/Adapter 1 1	A coded
Steckgesichtskodierung Leitung/Adapter 2 1	A coded
Steckgesichtskodierung Leitung/Adapter 1 2	A coded
Cable length	1 m
Operating voltage	AC/DC 250 V
Operating current	4 A
Rated surge voltage	2,5 kV

Mechanical data

Bending cycles	2
Schleppkettentauglichkeit	yes
Color of sheathed cable	black
Durchmesser der Mantelleitung	4.5 ... 4.9 mm
Sheath material	Polyurethane (OPUR), halogen-free per DIN VDE 0472 Part 815, flame resistant per IEC 332-2, self-extinguishing
Halogen-free	Yes
Housing material	Polyurethan (PUR)
Contact material	CuSn
Contact plating	CuNi/Au
Tightening torque	1 Nm
Weight	91 g

Environmental Requirements

Umgebungstemperatur (Betrieb) bewegt	-25 ... +90 °C
Umgebungstemperatur (Betrieb) ruhend	-50 ... +90 °C
Degree of protection	IP67
Degree of pollution (5)	3 acc. to VDE 0110

Commercial data

Country of origin	DE
GTIN	4044918994859



Downloads

Documentation

System Description

IP67 Cables and Pluggable Connectors

Jun 6, 2017

Download

434.4 kB

Subject to changes.

WAGO Corporation
Germantown, WI 53022
32423 Minden
Phone: +49571 887-0 | Fax: (262) 255-6222
Email: info.us@wago.com | Web: www.wago.com

Do you have any questions about our products?
We are always happy to take your call at {0}.