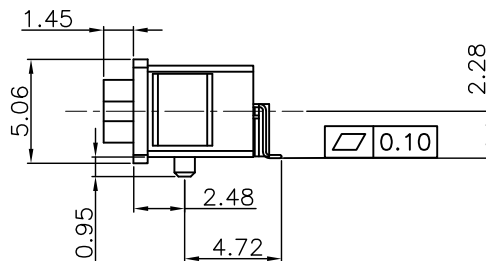
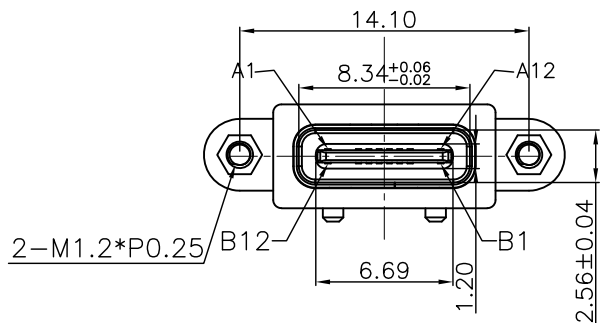


建议胶圈尺寸
注: 防水圈厚度1.2mm的
硅胶圈, 防水圈挤压力, 由1.2mm挤压力到
0.8mm左右, 防水效果好

组装示意图

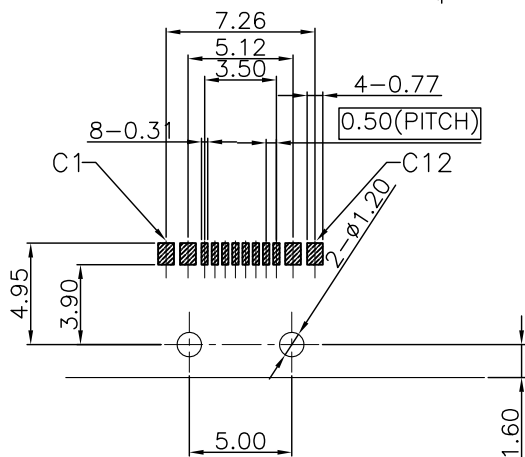


INTERFACE(FRONT VIEW)

A1	A2	A3	A4	A5	A6	A7	A8	A9	A10	A11	A12
GND			VBUS	CC1	DP1	DN1	SBU1	VBUS			GND
GND			VBUS	SBU2	DN2	DP2	CC2	VBUS			GND
B12	B11	B10	B9	B8	B7	B6	B5	B4	B3	B2	B1

PIN ASSIGNMENT

PIN NO.	A1&B12	A4&B9	B8	A5	B7	A6	A7	B6	A8	B5	A9&B4	A12&B1
SINGAL NAME	GND	VBUS	SBU2	CC1	DN2	DP1	DN1	DP2	SBU1	CC2	VBUS	GND
PCB PAD NO.	C1	C2	C3	C4	C5	C6	C7	C8	C9	C10	C11	C12



RECOMMENDED PCB LAYOUT(TOP VIEW)

THICKNESS T=1.0mm
DEFAULT TOLERANCE+/-0.05

NOTES:

- MATERIAL: SEE "TABLE 1";
- FINISH: SEE "TABLE 1";

3. ELECTRICAL :

- CONTACT CURRENT RATING :
5A(VBUS PIN 1.5A/PIN),
5A(GND PIN 1.25A/PIN MAX),0.25A/PIN(OTHER PIN).
- INSULATION RESISTANCE :
100 MEGAOHMS MIN. AT 250VDC.
- DIELECTRIC WITHSTANDING VOLTAGE :
100VAC MIN.
- LOW LEVEL CONTACT RESISTANCE :
INITIAL 40mΩ MAX.
AFTER 50mΩ MAX.

4.MECHANICAL CHARACTERISTICS :

- MATING FORCE: 5~20N.
- UNMATING FORCE: 8~20N(INITIAL),6~20N(AFTER 10000 CYCLES);
- DURABILITY : 10,000 MATING CYCLES.
- OPERATING TEMPERATURE :-40°C TO +80°C

TABLE 1:

⑥	Shell-2	1	Stainless steel	NI PLATING;	T=0.20mm
⑤	Shell-1	1	Stainless steel	NI PLATING;	T=0.25mm
④	MID PLATE	1	Stainless steel		T=0.15mm
③	Terminal-B	8	铜镍硅合金	Au:3u* PLATING;	T=0.15mm
②	Terminal-A	8	铜镍硅合金	Au:3u* PLATING;	T=0.15mm
①	Housing	1	HIGH TEMP	Black	
NO.	PART NAME	QTY	MATERIAL	DESCRIPTION	REMARK



深圳市华宇创精密电子有限公司

TOLERANCE: X.X ±0.30 X.XX ±0.25 X.XXX ±0.15 X: ±2° X.X° ±0.5°	DRAWN BY : 陈一鸣	DATE : 2014-02-23	PART NAME: 防水USB TYPE C 母座16P SMT带螺母 带柱
	CHECKED BY: 马跃	DATE : 2014-02-23	PART NO. : HYCW306-USBC16-141B
UNIT: mm [inch]	APPROVED BY: 邱敏	DATE : 2014-02-23	DRAW NO. : HYC-2203041428
SCALE:1:1	SIZE: A4		SHEET NO. : 1 OF 1