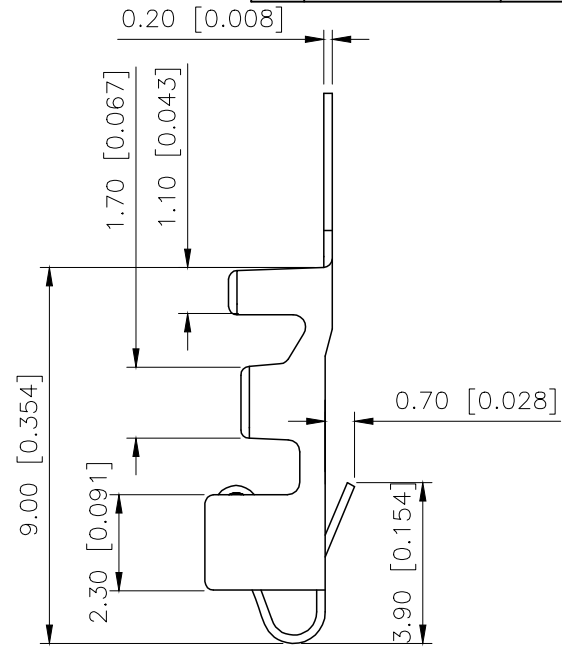
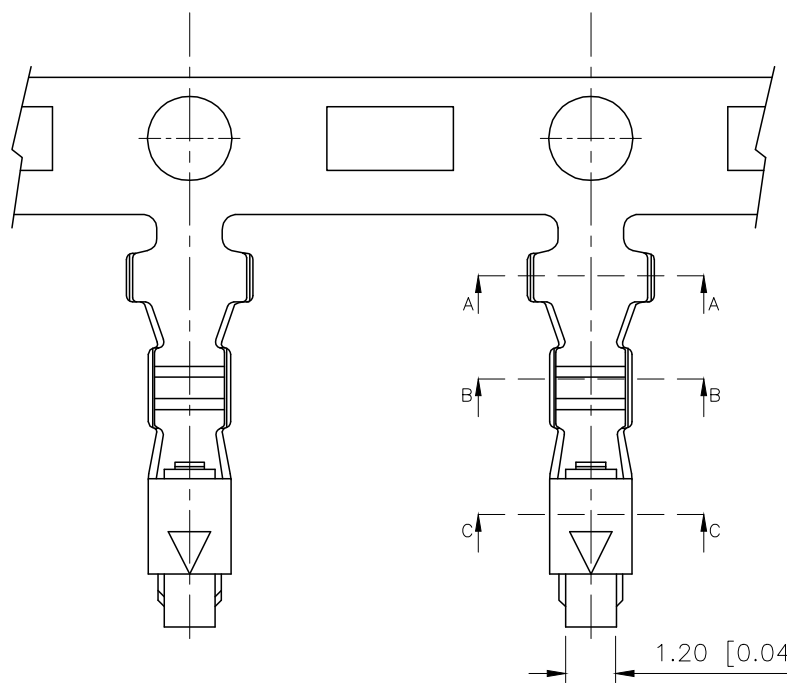


| REVISIONS |         |          |                 |            |        |
|-----------|---------|----------|-----------------|------------|--------|
| REV.      | ECN NO. | LOCATION | DESCRIPTION     | DATE       | DESIGN |
| A0        | N/A     |          | INITIAL RELEASE | /          | /      |
| A1        | N/A     |          | 图面升级整理图面        | 2025.03.01 | 阿树     |

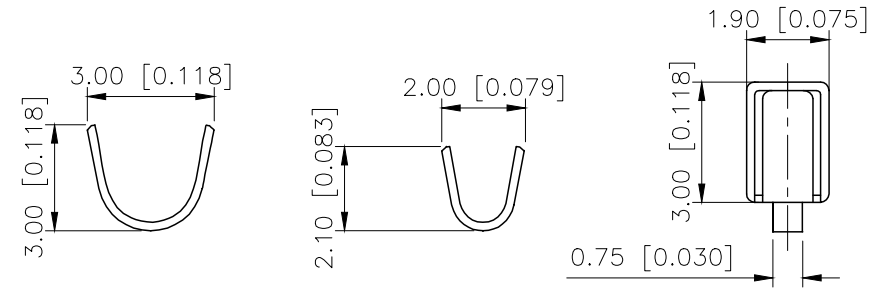


规格 Specifications:  
 额定电压 Votage rating:250V AC/DC  
 额定电流 Current rating:3A AC/DC  
 耐电压 Withstanding voltage:1500V AC/minute  
 温度区间 Temperature range:-40℃~+105℃  
 绝缘电阻 Insulation resistance:≥500MΩ  
 接触电阻 Contact resistance:≤10mΩ  
 环境测试后 After environmental testing:≤20mΩ

PART NO.:

X2521 T F-P SN-G  
 ① ② ③ ④ ⑤ ⑥

- ①Series Number.
- ②Category: T-terminal
- ③Welding Board Angle: F-Female
- ④Material: P-Phosphor bronze
- ⑤Plating Category:SN-Bright Tin Plating
- ⑥G:mating-G



SECTION:A-A  
SCALE:1:1

SECTION:B-B  
SCALE:1:1

SECTION:C-C  
SCALE:1:1

|               |                 |            |                      |
|---------------|-----------------|------------|----------------------|
| X2521TF-PSN-G | Phosphor Bronze | AWG#22-28  | X2521HM              |
| PART NO       | Material        | Wire Range | Suitable XKB Housing |

|                        |       |
|------------------------|-------|
| AuGLAR                 | ±5°   |
| X.                     | ±0.40 |
| X.x                    | ±0.30 |
| X.xx                   | ±0.20 |
| X.xxx                  | ±0.15 |
| UNSPECIFIED TOLERANCES |       |



|          |    |       |       |   |
|----------|----|-------|-------|---|
| DESIGN   | 阿树 | VIEW: |       | MODEL TYPE:<br>2.50mm Crimp Style Connector |
| CHECKED  |    | UNIT: | mm/in | PART NO.:<br>X2521TF-PSN-G                  |
| APPROVED |    | SIZE: | A4    | DWG NO.:                                    |

XKB INDUSTRIAL PRECISION CO.,LIMITED

|       |      |          |
|-------|------|----------|
| SCALE | PAGE | REVISION |
| N/A   | 1/1  | A1       |