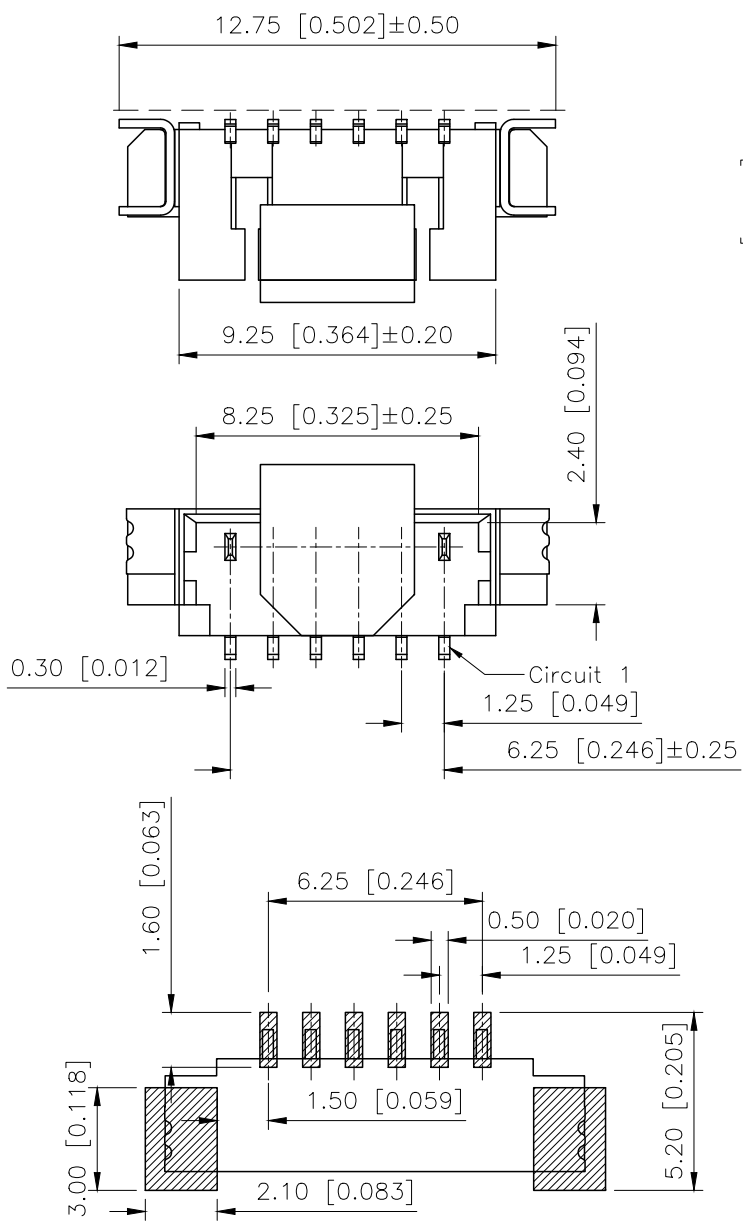


REVISIONS					
REV.	ECN NO.	LOCATION	DESCRIPTION	DATE	DESIGN
A0	N/A		INITIAL RELEASE	2024.11.27	阿树
/	/		/	/	/

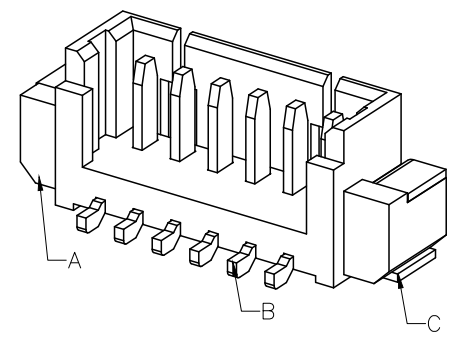


Specifications:  
规格:  
Voltage rating:125V AC/DC  
额定电压: 125V AC/DC  
Current rating:2A AC/DC  
额定电流: 1.0A AC/DC  
Contact Resistance:≤20MΩ  
接触电阻: ≤20MΩ  
Insulation Resistance:≥100MΩ  
绝缘电阻: ≥100MΩ  
Dielectric strength:500V AC/minute  
耐压: 500V AC/minute

PART NO.:

X9821 W V S-XX-LP SN  
① ② ③ ④ ⑤ ⑥ ⑦

- ①Series No
- ②Category:W-Wafer
- ③Welding Board Angle:V-Stright 180°
- ④Welding Way: S-SMT
- ⑤Row No.Pin No:XX-02~16Pin
- ⑥Material:LP-LCP UL94V-0
- ⑦Planting: SN-Bright tin plating



D	Back cover	1	LCP	UL 94V-0,Color:Beige
C	Plain	2	Brass	SN-plated
B	Reeds	6	Phosphor Bronze	SN-plated
A	Pedestal	1	LCP	UL 94V-0,Color:Beige
NO	NAME	QTY	MATERIAL	FINISH

X9821WVS-XX-LPSN	LCP UL 94V-0	Brass	Tin-Plated	X9821H
PART NO	Material	Material(pin)	Finish(pin)	Suitable XKB Terminal

PCB LAYOUT

AuGLAR	±5°
X.	±0.40
X.x	±0.30
X.xx	±0.20
X.xxx	±0.15
UNSPECIFIED TOLERANCES	



DESIGN	阿树	VIEW:		MODEL TYPE:	1.25mm Crimp Style Connectors
CHECKED		UNIT:	mm/in	PART NO.:	X9821WVS-XX-LPSN
APPROVED		SIZE:	A4	DWG NO.:	