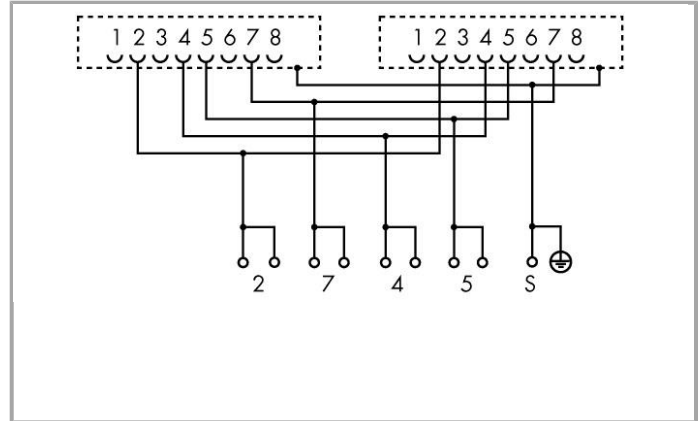
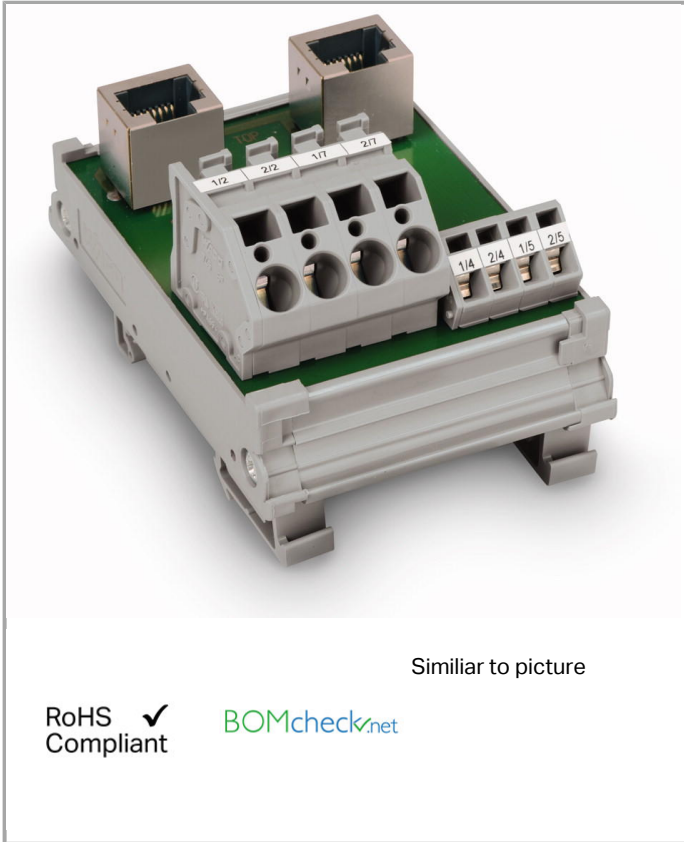


Data sheet | Item number: 289-966

Interface module with RJ-45 connectors and shield clamping saddle

www.wago.com/289-966



Item description

Short description:

Compatible on the field side with the 789-620, 789-621 and 789-622 Current Sensors.

Required terminal assignment:

2: + Supply

7: - Supply

4: D+

5: D-

Direct shield connection to the carrier rail via shield grounding foot.

Data

Electrical data

Nominal current 1.5 A



Contact resistance (typ.)	20 mΩ
Insulation resistance	≥ 500 MΩ
Specialty functions	With shield connection With shield clamping saddle

Safety and protection:

Dielectric strength contact-contact (AC, 1 min)	0.5 kV _{rms}
---	-----------------------

Connection data

No. of poles	4
Connection type (1)	System
No. of poles 1	4
Pluggable connector	2 x RJ-45 shielded
Connection type (2)	Clamping units 2, 7
No. of poles 2	4
Design 2	PCB terminal blocks
Connection technology 2	CAGE CLAMP®
WAGO terminal 2	WAGO 236 Series
Solid conductor (2)	0.08 ... 2.5 mm ² / 28 ... 12 AWG
Fine-stranded conductor (2)	0.08 ... 2.5 mm ² / 28 ... 12 AWG
Strip length (2)	5 ... 6 mm / 0.2 ... 0.24 Inch
Connection type (3)	Clamping units 4, 5
No. of poles 3	2
Design 3	PCB terminal blocks
Connection technology 3	CAGE CLAMP®
WAGO terminal 3	WAGO 745 Series
Solid conductor (3)	0.2 ... 6 mm ² / 24 ... 10 AWG
Fine-stranded conductor (3)	0.2 ... 6 mm ² / 24 ... 10 AWG
Strip length (3)	11 ... 12 mm / 0.43 ... 0.47 Inch
Note (conductor cross-section)	12 AWG: THHN, THWN
Mating cycles	500
Connecting cable	assembled, shielded RJ-45 cable (recommended: UTP, STP)
WAGO shield (screen) clamping saddle	27 mm wide; cable diameter up to 24 mm

Geometrical Data

Width	69 mm / 2.717 inch
Height from upper-edge of DIN-35 rail	40 mm / 1.575 inch
Depth	85 mm / 3.346 inch



Mechanical data

Type of mounting	DIN-35 rail
Housing design	Mounting carrier

Material Data

Fire load	1.153 MJ
Weight	89.916 g

Environmental Requirements

Surrounding air (operating) temperature	-20 ... 85 °C
---	---------------

Commercial data

Country of origin	DE
GTIN	4050821001218
Product Group	6 (Interface Electronics)

Downloads

Documentation

Additional Information

Disposal; Electrical and electronic equipment, Packaging	Oct 15, 2018	265.8 kB	Download
--	--------------	----------	----------

Subject to changes.

WAGO Corporation
Germantown, WI 53022
32423 Minden
Phone: +49571 887-0 | Fax: (262) 255-6222
Email: info.us@wago.com | Web: www.wago.com

Do you have any questions about our products?
We are always happy to take your call at {0}.