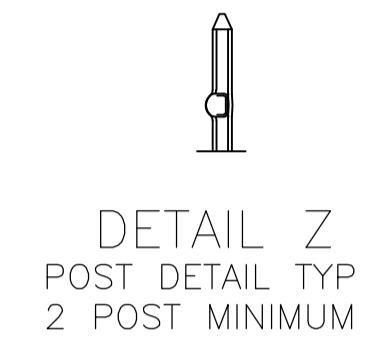
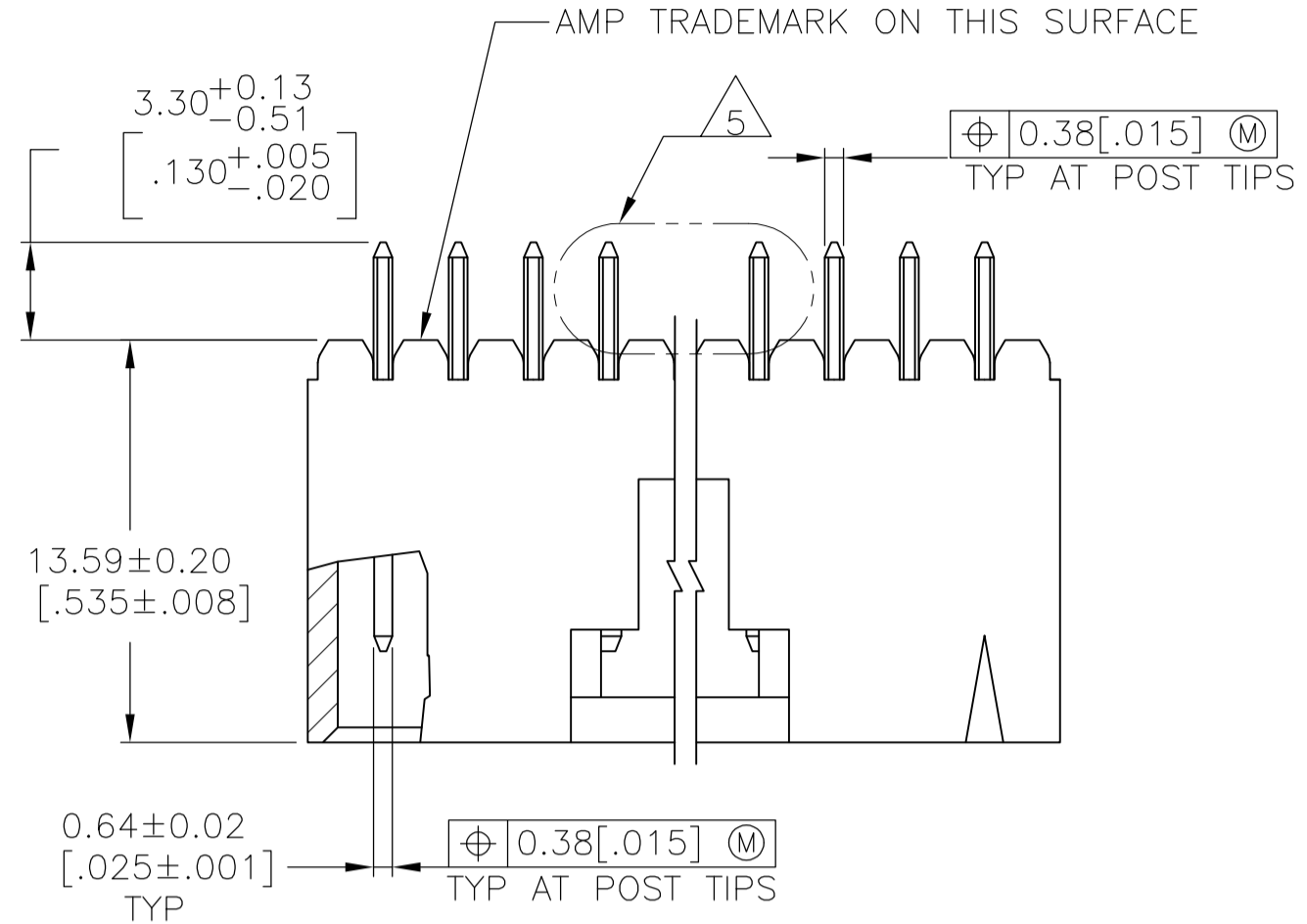
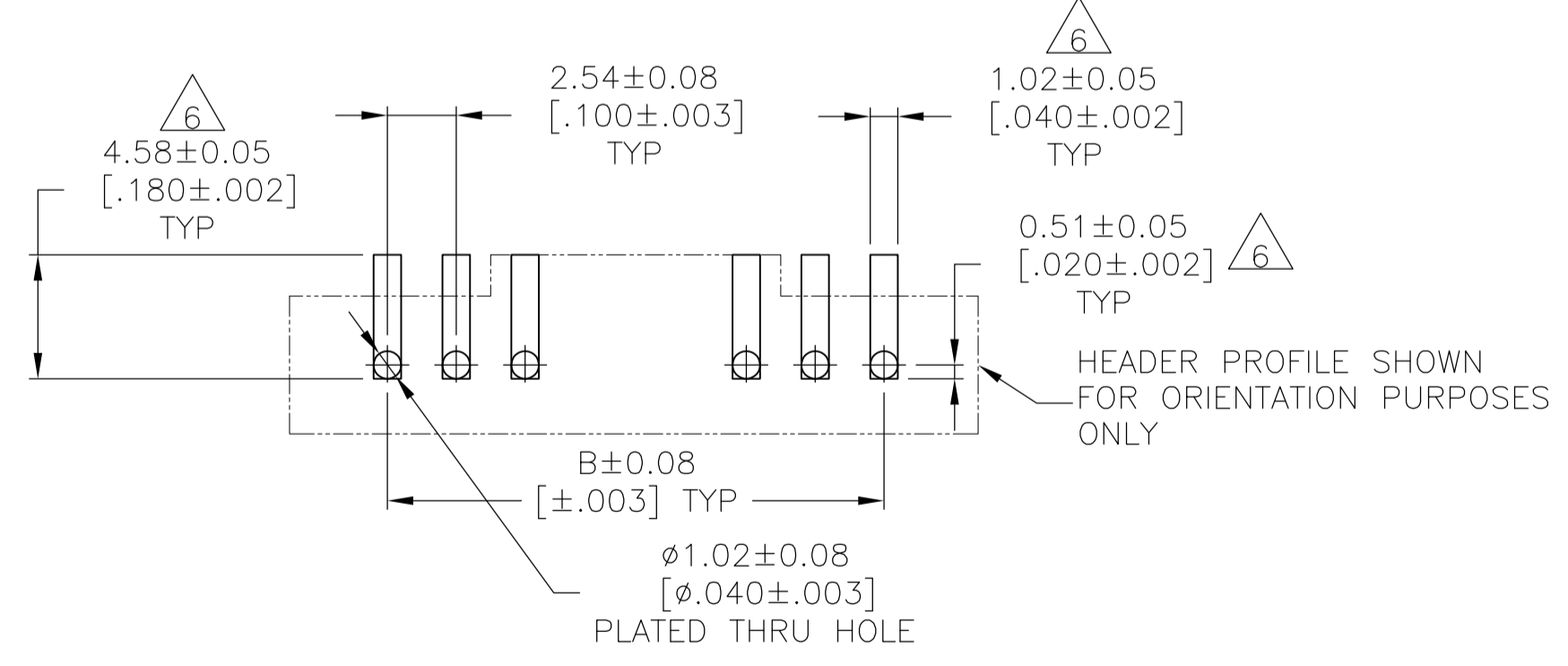
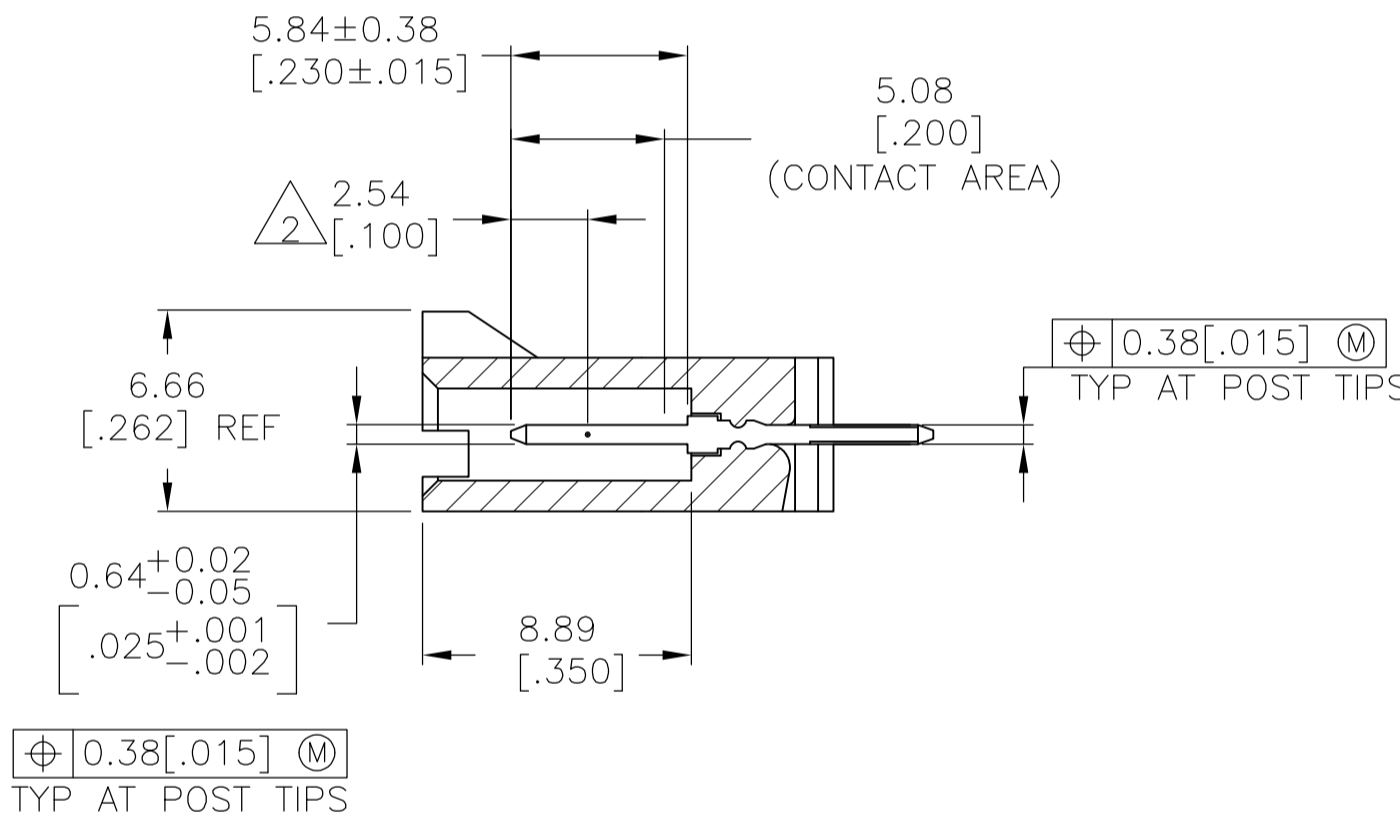
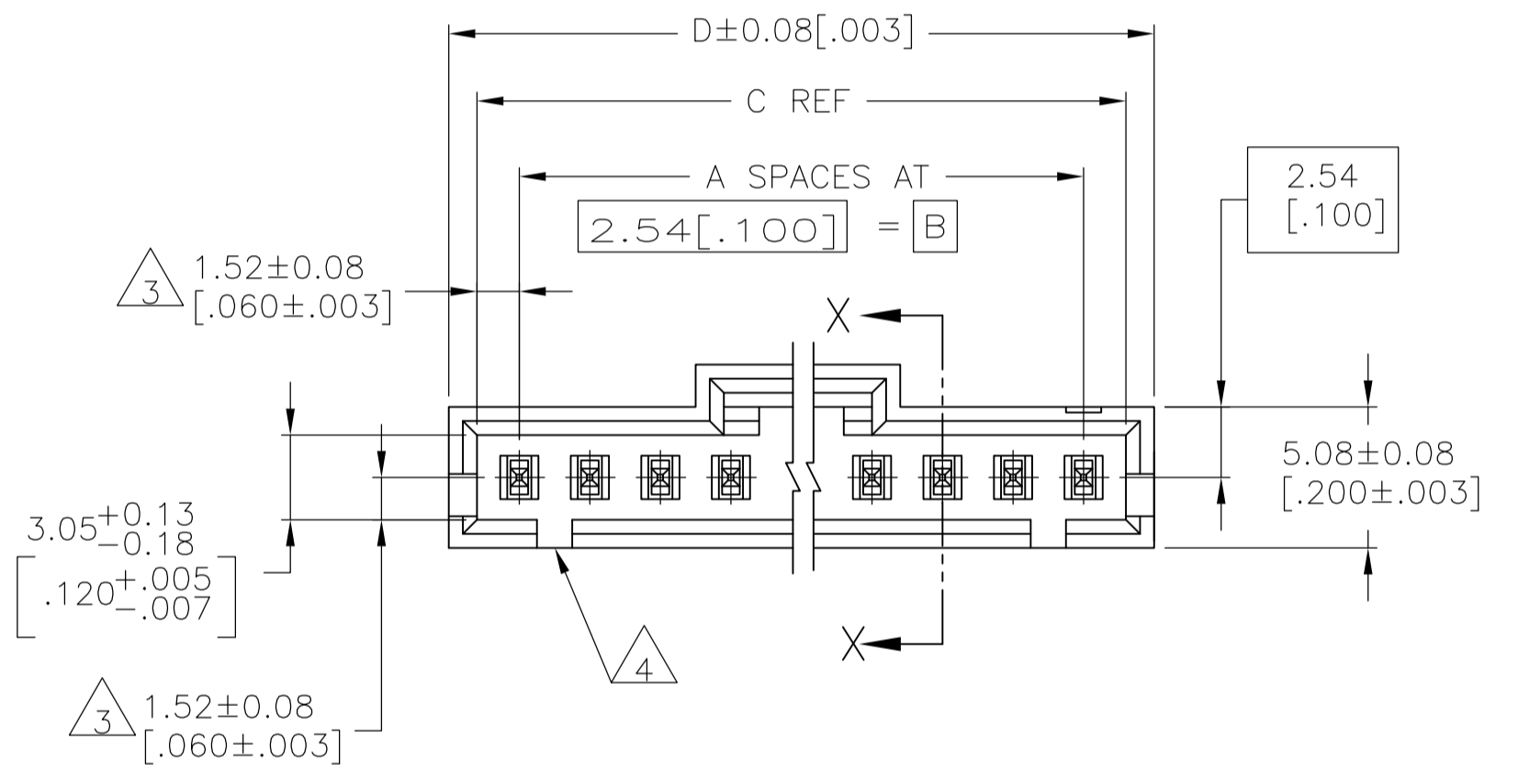


REVISIONS					
REV	DATE	BY	CHKD	APPD	DESCRIPTION
F	4FEB05	BSV	JLG		EC 0G3C 0789 04
F1	02SEP09	KK	AEG		REVISED PER ECO-09-020689
G	12APR2017	RS	MM		REVISED PER ECO-17-002209



- 1 0.00038[.000015] GOLD IN THE CONTACT AREA, 0.00254-0.00508[.000100-.000200] MATTE TIN-LEAD ON THE SOLDER TAIL, ALL OVER 0.00127[.000050] NICKEL
- 2 POINT OF MEASUREMENT FOR PLATING THICKNESS
- 3 THE NOTED DIMENSIONS APPLY FROM THE BASIC DIMENSION LINE (NOT THE POST CENTERLINE) TO THE SURFACE INDICATED
- 4 ONE POLARIZATION SLOT FOR 2 POSITION ASSEMBLY ONLY.
- 5 HOLD DOWN UNTIL SOLDERED, CONFIGURATION ACCEPTS 0.69-2.03[.027-.080] THICK PRINTED CIRCUIT BOARD (SEE DETAIL Z)
- 6 DIMENSIONS NOTED ARE FOR SOLDER STENCIL LAYOUT FOR USE WITH 1.57±0.20[.062±.008] THICK PRINTED CIRCUIT BOARDS.
- 7 PARTS ARE PACKAGED IN GANG OF TUBES
- 8 0.00038[.000015] GOLD IN THE CONTACT AREA, 0.00254-0.00508[.000100-.000200] MATTE TIN ON THE SOLDER TAIL, ALL OVER 0.00127[.000050] NICKEL
- 9 OBSOLETE PARTS: OBSOLETE CIS STREAMLINING PER D.RENAUD/D.SINISI



RECOMMENDED PC BOARD MOUNTING DIMENSIONS
RECOMMENDED STENCIL THICKNESS = 0.25[.010]

REV	DATE	BY	CHKD	APPD	DESCRIPTION	NO. OF POSN	PART NUMBER
8	65.91	64.01	60.96	24	25	7-104909-4	
8	63.37	61.47	58.42	23	24	7-104909-3	
8	60.83	58.93	55.88	22	23	7-104909-2	
8	58.29	56.39	53.34	21	22	7-104909-1	
8	55.75	53.85	50.80	20	21	7-104909-0	
8	53.21	51.31	48.26	19	20	6-104909-9	
8	50.67	48.77	45.72	18	19	6-104909-8	
8	48.13	46.23	43.18	17	18	6-104909-7	
8	45.59	43.69	40.64	16	17	6-104909-6	
8	43.05	41.15	38.1	15	16	6-104909-5	
8	40.51	38.61	35.56	14	15	6-104909-4	
8	37.97	36.07	33.02	13	14	6-104909-3	
8	35.43	33.53	30.48	12	13	6-104909-2	
9	65.91	64.01	60.96	24	25	2-104909-4	
9	63.37	61.47	58.42	23	24	2-104909-3	
9	60.83	58.93	55.88	22	23	2-104909-2	
9	58.29	56.39	53.34	21	22	2-104909-1	
9	55.75	53.85	50.80	20	21	2-104909-0	
9	53.21	51.31	48.26	19	20	1-104909-9	
9	50.67	48.77	45.72	18	19	1-104909-8	
9	48.13	46.23	43.18	17	18	1-104909-7	
9	45.59	43.69	40.64	16	17	1-104909-6	
9	43.05	41.15	38.1	15	16	1-104909-5	
9	40.51	38.61	35.56	14	15	1-104909-4	
9	37.97	36.07	33.02	13	14	1-104909-3	
9	35.43	33.53	30.48	12	13	1-104909-2	
PLATING	D	C	B	A			

THIS DRAWING IS A CONTROLLED DOCUMENT. DIMENSIONS: mm [INCHES]. TOLERANCES UNLESS OTHERWISE SPECIFIED: 0 PLC ±, 1 PLC ±, 2 PLC ± 0.13[.005], 3 PLC ±, 4 PLC ±, ANGLES ±.

DIN E. BRANDBERG 13-10-94. CHK: J. GESFORD. APPD: D. DUPLER 13-10-94. NAME: HEAD ASSY, AMPMODU MTE, VERTICAL SINGLE ROW, 2.54[.100] C/L, 0.64[.025] SQ POSTS, POLARIZED, WITH LATCHING & HOLD DOWN, HIGH TEMP.

MATERIAL: HOUSING: LCP, COLOR: BLACK, POSTS: BRASS. FINISH: SEE TABLE. WEIGHT: -. SIZE: A1. CASE CODE: 00779. DRAWING NO: 104909. RESTRICTED TO: CUSTOMER DRAWING. SCALE: 4:1. SHEET: 1 OF 1. REV: G.