

Type: **02.08 08 08**

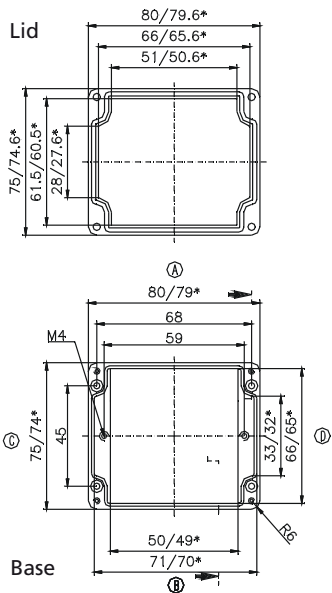
External dimensions: **75 x 80 x 75 mm**

Weight: **340 g**

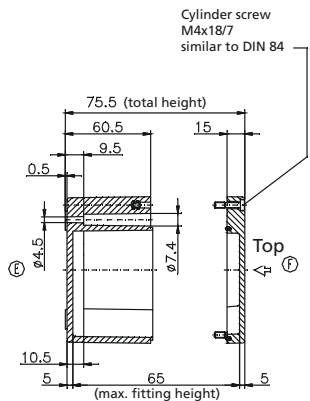
DIN rail length in mm	max. fitting length in mm	Mounting plate (thickness in mm)	External mounting brackets	External hinge* set	EMC version	Allen lid screws	Silicone lid seal	Sealable lid screws
TS 15								
63	49	2	•		•	•	•	•

Maximum number of cable glands to DIN 50262*

M	Corner dim.	Side		PG	Corner dim.	Side	
		A/B	C/D			A/B	C/D
12	17,25	9	5	7	17,25	9	5
16	25,30	5	2	9	21,85	6	3
20	27,60	4	2	11	25,30	4	2
25	37,95	1	1	13,5	27,60	4	2
32	48,30	1	1	16	31,05	3	1
40	60,95			21	37,95	1	1
50	69,00			29	48,30	1	
63	74,75			36	60,95		
				42	69,00		
				48	74,75		



* = Conical form tapering downwards
Free dimensions-tolerance to DIN 16901 - 130



* Please quote mounting side