

1

2

3

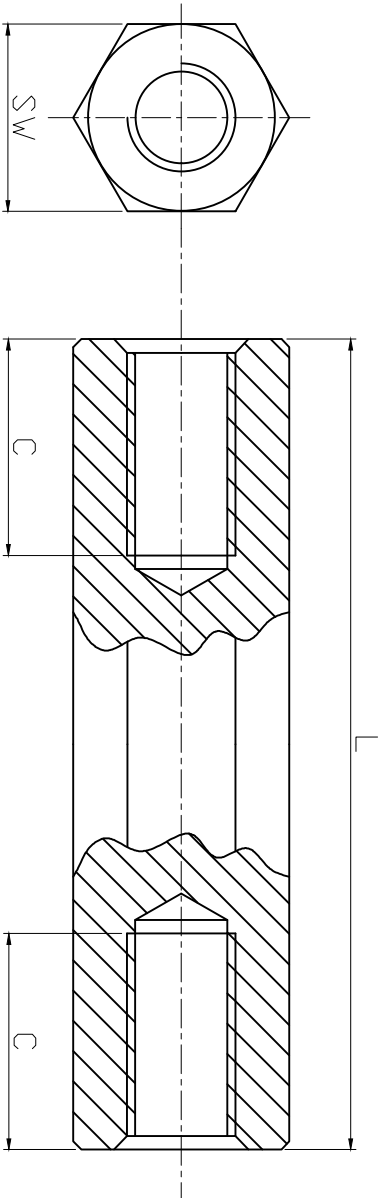
4

5

6

7

RoHS compliant



Width across flat(SW)/5
 Thread M3
 Nickel plated
 PU=100 pcs

Option	Dimensions	
	L	C min
A	5	5
B	8	8
C	10	10
D	12	12
S	13	13
E	15	15
F	18	18
G	20	20
H	25	6
K	30	6
L	35	6
M	40	6

A	RoHS compliant							A
B								B
C								C
D								D
E								E
F								F
G								G
H								H

Scale	1:1							
TOLERANCE								
X.	±X							
X.X	±X							
X.XX	±X							
DIM	TOL							
X.°	±X°							
X.X°	±X°							
Angle	TOL							

Customer-No.		
ASSMANN WSW-No.	V5634X	
Drawing-No.	ASS 0591 HS	rev03
Replace	Sheet	

1	2	3	4	5	6	7
---	---	---	---	---	---	---

1	2	3	4	5	6	7
---	---	---	---	---	---	---

1	2	3	4	5	6	7
---	---	---	---	---	---	---