

标记 MARK	ECN编号/变更内容 ECN NO/DEFINITION	修改 REVISE	日期 DATE	核准 APPROVE

A

B

C

D

E

F

G

A

B

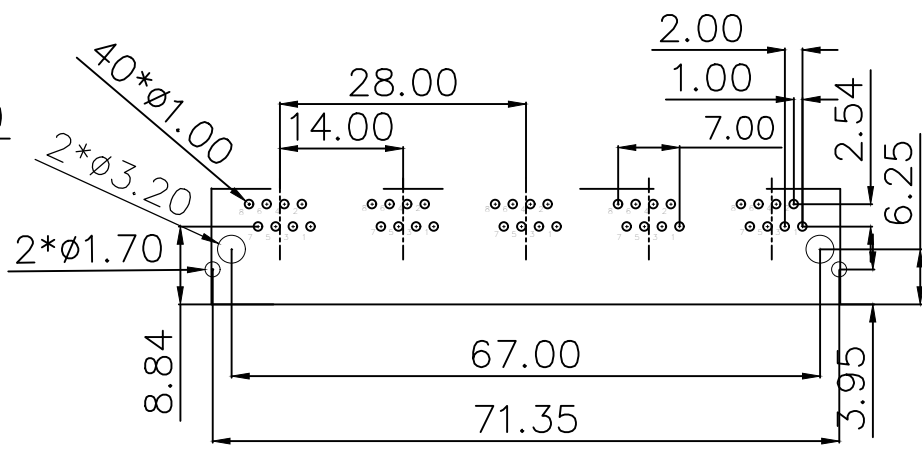
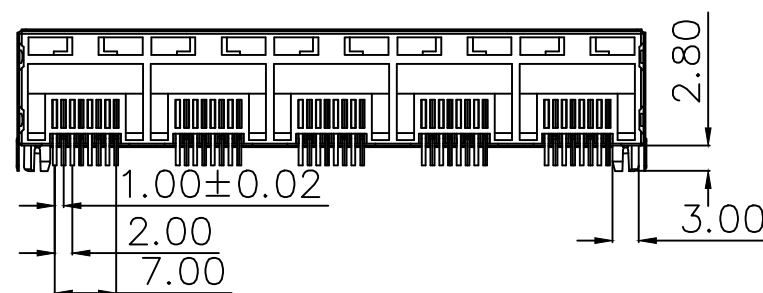
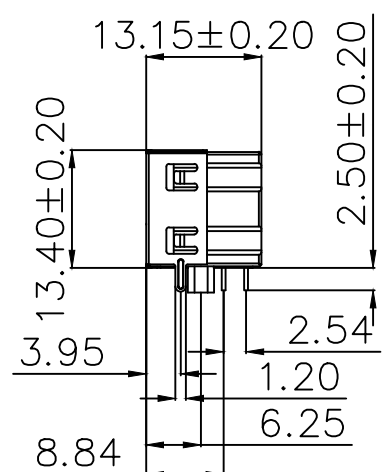
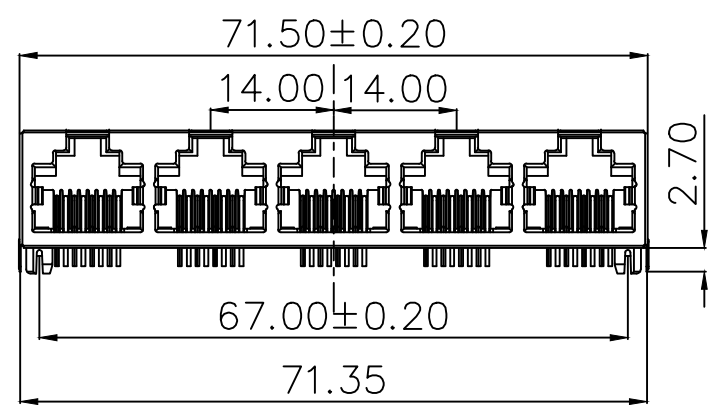
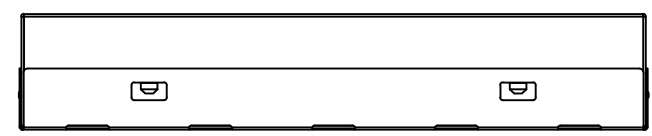
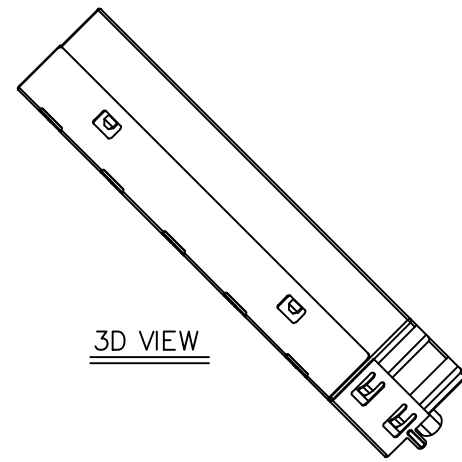
C

D

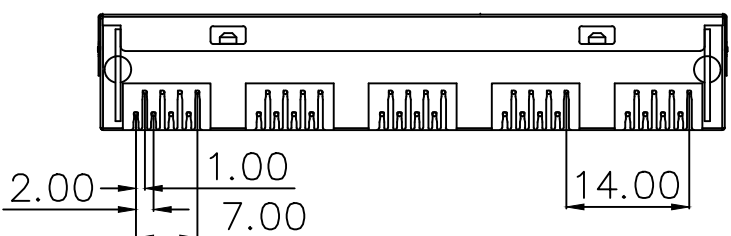
E

F

G



RECOMMENDED PCB LAYOUT
TOP VIEW(TOL: ±0.05)



NOTES:

- 1. MATERIAL:
 - 1.1. HOUSING: PBT ,COLOR IS BLACK;
 - 1.2. CONTACT: PHOSPHOR BRONZE,φ0.46±0.02mm;
 - 3. RECINNEBDED PCB THICKNESS: 1.0mm Min;
- 4. ELECTRICAL:
 - 4.1. VOLTAGE RATING: 125 VAC RMS;
 - 4.2. CURRENT RATING: 1.5 AMP;
 - 4.3. CONTACT RESISTANCE: 35MILLIOHMS MAX.;
 - 4.4. WITHSTAND VOLTAGE: 1000 VAC RMS 50(60)Hz, 1MIN.;
 - 4.5. INSULATION RESISTANCE: 1000MEGOHMS MIN @500V DC;
- 5. MECHANICAL:
 - 5.1. MATING/UNMATING FORCE: 30N MAX.;
 - 5.2. RETENTIION STRENGTH: 50N MIN.;
 - 5.3. OPERATING LIFE: 750 CYCLES MIN.;
- 6. SALT SPRAY TEST: 12H;
- 7. SOLDERABILITY: 245±5°C,5±0.5S;
- 8. RESISTANCE TO SOLDER: 260±5°C,10±1S;
- 9 ENVIRONMENTAL:
 - 9.1. STORAGE TEMPERATURE RANGE: -40°C~+85°C;
 - 9.2. OPERATION TEMPERATURE RANGE: -25°C~+70°C;

3	外壳	不锈钢	镀镍	
2	接触	铜	镀金G/F	
1	基座	PBT	黑色	
序号	品名	材质	电镀/颜色	备注

	深圳市虹成电子有限公司 TITLE: 网口 PART NO: HC-WK88-H132-1X5-55B		
	UNLESS OTHERWISE, GENERAL TOLERANCE:	比列 SCALE: 1:1	
X. xxx ±0.10 X. xx ±0.20 X. x ±0.30	张数 PART NO: 1 OF 1	制图 DRAW: AhYe	
ANGULAR: X. xx° ±1° X. x° ±3° X. ° ±5°	版本 REV: A	审核 CHECKED: 夏操云 批准 APPROVE: 赵亮亮	