

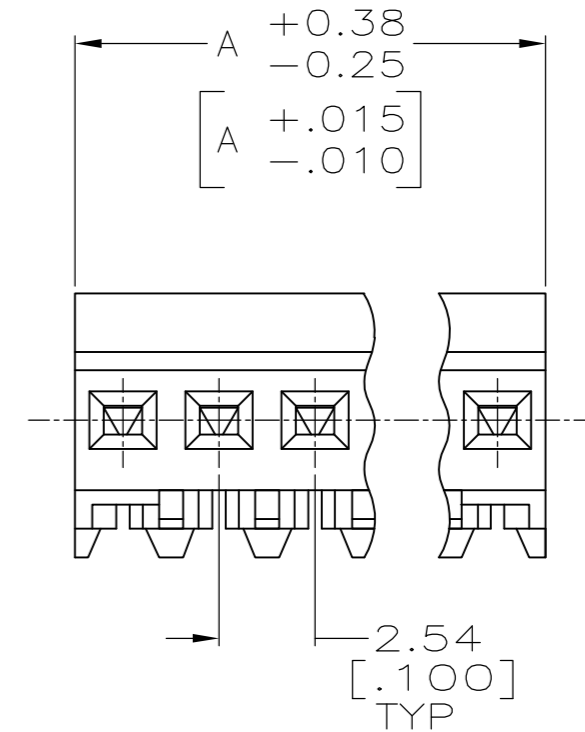
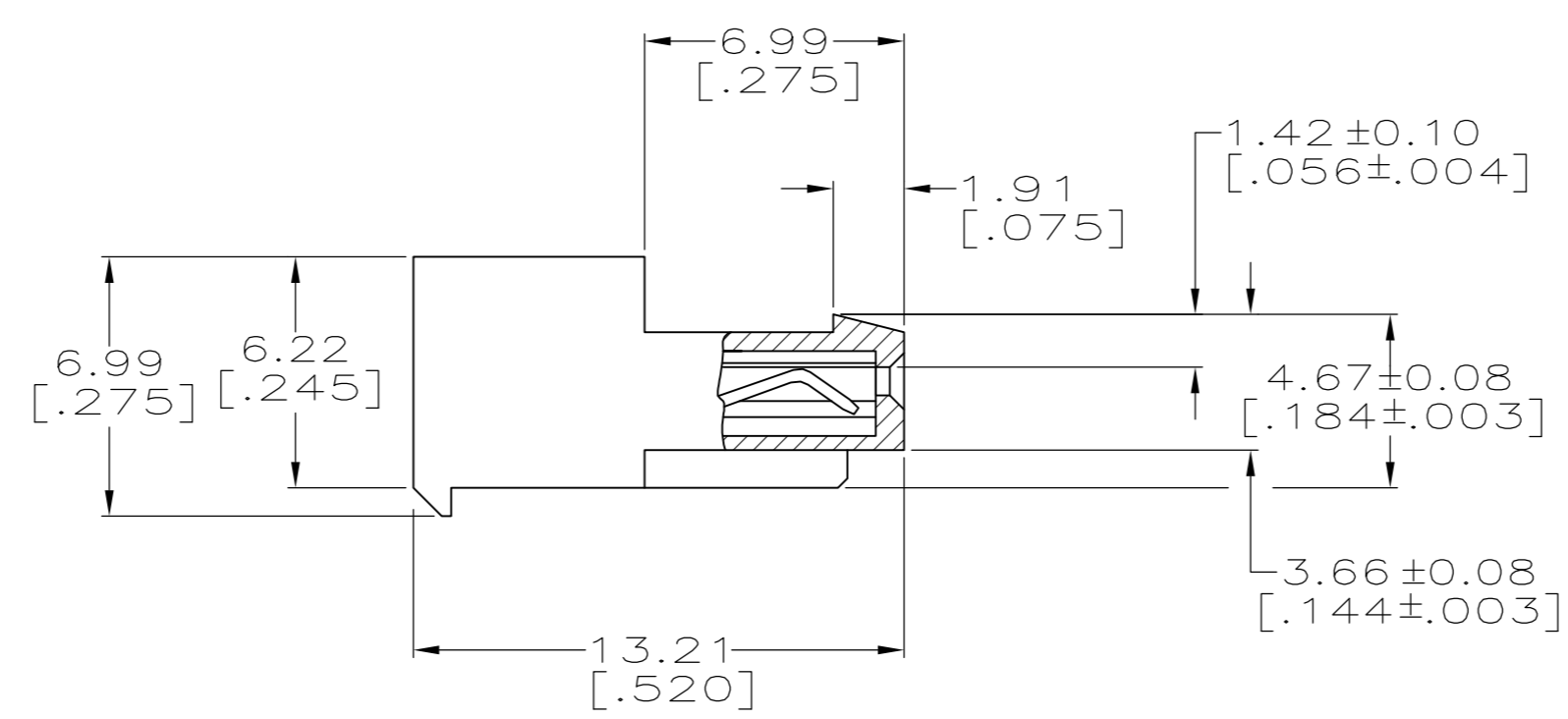
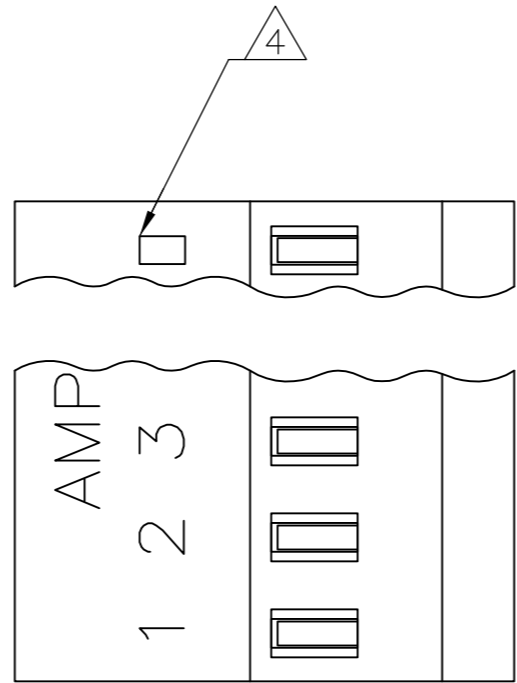
THIS DRAWING IS UNPUBLISHED. RELEASED FOR PUBLICATION
 © COPYRIGHT - By - ALL RIGHTS RESERVED.

LOC		DIST		REVISIONS			
P	LTR	DESCRIPTION		DATE	DWN	APVD	
U1		REVISED PER ECR-15-006687		26OCT2015	NK	NL	

YES	DIM A	NO. OF CIRCUITS	PART NO.
YES	71.12[2.800]	28	5-641238-8
YES	68.58[2.700]	27	5-641238-7
YES	66.04[2.600]	26	5-641238-6
YES	63.50[2.500]	25	5-641238-5
YES	60.96[2.400]	24	5-641238-4
YES	58.42[2.300]	23	5-641238-3
YES	55.88[2.200]	22	5-641238-2
YES	53.34[2.100]	21	5-641238-1
YES	50.80[2.000]	20	5-641238-0
YES	48.26[1.900]	19	4-641238-9
YES	45.72[1.800]	18	4-641238-8
YES	43.18[1.700]	17	4-641238-7
YES	40.64[1.600]	16	4-641238-6
YES	38.10[1.500]	15	4-641238-5
YES	35.56[1.400]	14	4-641238-4
YES	33.02[1.300]	13	4-641238-3
YES	30.48[1.200]	12	4-641238-2
YES	27.94[1.100]	11	4-641238-1
YES	25.40[1.000]	10	4-641238-0
YES	22.86[.900]	9	3-641238-9
YES	20.32[.800]	8	3-641238-8
YES	17.78[.700]	7	3-641238-7
YES	15.24[.600]	6	3-641238-6
YES	12.70[.500]	5	3-641238-5
YES	10.16[.400]	4	3-641238-4
YES	7.62[.300]	3	3-641238-3
YES	5.08[.200]	2	3-641238-2

NO	DIM A	NO. OF CIRCUITS	PART NO.	REASON
NO	71.12[2.800]	28	2-641238-8	SUPERSEDED BY 5-641238-8
NO	68.58[2.700]	27	2-641238-7	SUPERSEDED BY 5-641238-7
NO	66.04[2.600]	26	2-641238-6	SUPERSEDED BY 5-641238-6
NO	63.50[2.500]	25	2-641238-5	SUPERSEDED BY 5-641238-5
NO	60.96[2.400]	24	2-641238-4	SUPERSEDED BY 5-641238-4
NO	58.42[2.300]	23	2-641238-3	SUPERSEDED BY 5-641238-3
NO	55.88[2.200]	22	2-641238-2	SUPERSEDED BY 5-641238-2
NO	53.34[2.100]	21	2-641238-1	SUPERSEDED BY 5-641238-1
NO	50.80[2.000]	20	2-641238-0	SUPERSEDED BY 5-641238-0
NO	48.26[1.900]	19	1-641238-9	SUPERSEDED BY 4-641238-9
NO	45.72[1.800]	18	1-641238-8	SUPERSEDED BY 4-641238-8
NO	43.18[1.700]	17	1-641238-7	SUPERSEDED BY 4-641238-7
NO	40.64[1.600]	16	1-641238-6	SUPERSEDED BY 4-641238-6
NO	38.10[1.500]	15	1-641238-5	SUPERSEDED BY 4-641238-5
NO	35.56[1.400]	14	1-641238-4	8
NO	33.02[1.300]	13	1-641238-3	SUPERSEDED BY 4-641238-3
NO	30.48[1.200]	12	1-641238-2	8
NO	27.94[1.100]	11	1-641238-1	8
NO	25.40[1.000]	10	1-641238-0	8
NO	22.86[.900]	9	-641238-9	8
NO	20.32[.800]	8	-641238-8	8
NO	17.78[.700]	7	-641238-7	8
NO	15.24[.600]	6	-641238-6	8
NO	12.70[.500]	5	-641238-5	8
NO	10.16[.400]	4	-641238-4	8
NO	7.62[.300]	3	-641238-3	8
NO	5.08[.200]	2	-641238-2	8

LEADFREE DIM A NO. OF CIRCUITS PART NO.



1 MATERIAL: CONNECTOR - NYLON UL94V-2 (WHITE).
 CONTACTS - 0.30[.012] THICK COPPER ALLOY
 0.00076 [.000030] GOLD) OR 0.00076[.000030]
 TOTAL GOLD FLASH OVER PALLADIUM NICKEL,
 PER TE CONNECTIVITY'S DISCRETION, IN CONTACT
 AREA WITH MATTE TIN FOR 641238-2
 THRU 2-641238-8, MATTE WHISKER MITIGATED TIN
 FOR 3-641238-2 THRU 5-641238-8 OVER
 NICKEL UNDERPLATE.

2. CONTACTS ACCEPT 24 AWG WIRE WITH 1.52[.060] MAX INSULATION DIAMETER.
 3. CONTACTS MUST ACCEPT 0.64±0.03 [.025±.001] SQUARE POST AND REMAIN LOCKED IN POSITION.

4 IDENTIFICATION NUMBER FOR LAST CIRCUIT MAY NOT APPEAR ON ALL ASSEMBLIES.

5. DIMENSIONS IN BRACKETS ARE IN INCHES.

6. HOUSING FEATURES ARE: CLOSED END WITH LOCKING RAMP.

7 OBSOLETE PARTS: OBSOLETE CIS STREAMLINING PER D.RENAUD/D.SINISI

8 OBSOLETE PART NUMBER

THIS DRAWING IS A CONTROLLED DOCUMENT.		DWN S. CARPENTER 07AUG2003		
DIMENSIONS: mm [INCHES]		CHK D. BOSSI 07AUG2003		
TOLERANCES UNLESS OTHERWISE SPECIFIED:		APVD D. BOSSI 07AUG2003	NAME	
0 PLC ± 1 PLC ± 2 PLC ± 3 PLC ± 0.13 [.005] 4 PLC ± ANGLES ±		PRODUCT SPEC 108-1050	MTA-100 CONNECTOR ASSEMBLY, 24 AWG, STANDARD	
MATERIAL 1		FINISH 1	SIZE A2	CAGE CODE 00779
		WEIGHT	DRAWING NO C=641238	RESTRICTED TO -
		CUSTOMER DRAWING	SCALE 5:1	SHEET 1 of 1
			REV U1	

Mouser Electronics

Authorized Distributor

Click to View Pricing, Inventory, Delivery & Lifecycle Information:

[TE Connectivity:](#)

[641238-9](#)