

DETAILS

Product Number	C13087_MIRELLA-50-W-PF
Family	Mirella
Type	Reflector
Color	metal
Diameter	49,9 mm
Height	24 mm
Style	round
Optic Material	PC
Holder Material	
Fastening	socket
Status	ready
ROHS Compliant	Yes
Date Updated	31/10/2014



OPTICAL PROPERTIES

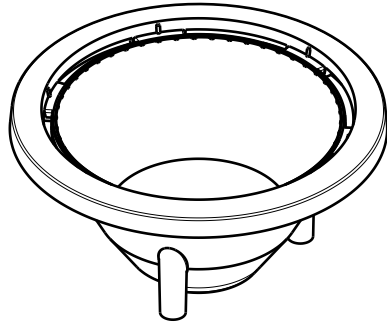
LED	Viewing Angle	Light Beam	Efficiency	cd/lm	Connector
NSBxL066A/NFCxL036B	35 deg	Wide	87 %	1.800	IDEAL: 50-2100NC + Mirella(50-2100MR)
LUXEON CoB 1202/1203	37 deg	Wide	87 %	1.700	IDEAL: 50-2100NC + Mirella(50-2100MR)
L121A/L060B/L024Z	43 deg	Wide	86 %	1.400	IDEAL: 50-2100NC + Mirella(50-2100MR)
CXA/B 1816 & CXA/B 1820 & CXA 1850	43 deg	Wide	87 %	1.370	IDEAL: 50-2101CR + Mirella(50-2100MR)

D

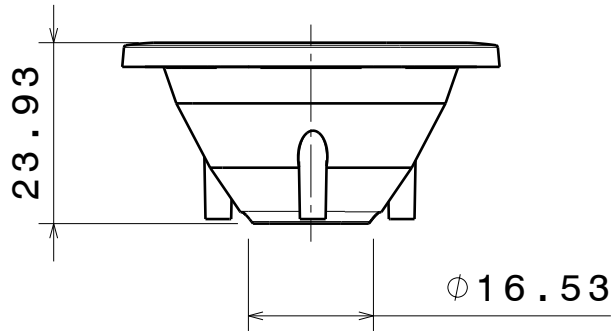
C

B

A

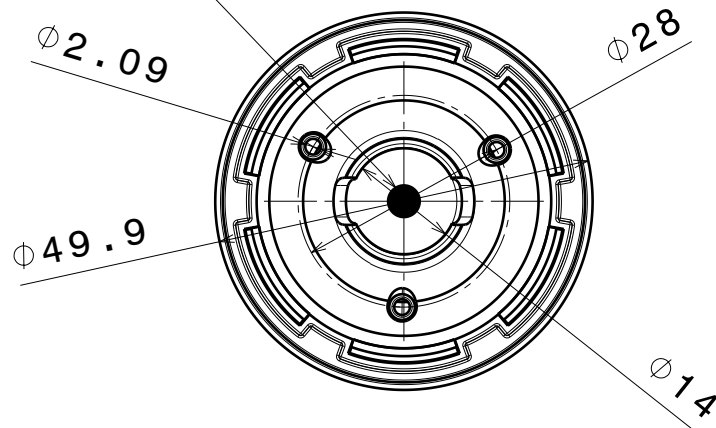


Isometric view



Front view

LED position



Bottom view

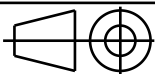
INDEX	PART NO	DESCRIPTION	MATERIAL	COLOUR
1	C13087	MIRELLA-50-W-PF	PC	metal

Tolerances if not otherwise shown
According to DIN ISO 2768-1
Linear measures: class C
According to DIN ISO 2768-2
Form and position: class L

LEDiL

Ledil Oy
Salorankatu 10
FIN 24240 SALO
Finland

THIRD ANGLE PROJECTION:



DRAWING TITLE

C13087_MIRELLA-50-W-PF

This drawing is the property
of LEDiL Oy. It may not be
reproduced, copied or
communicated without a written
agreement with LEDiL Oy.

SIZE PART NUMBER

A4

C13087

SCALE

1:1

WEIGHT

4,14 g

SHEET

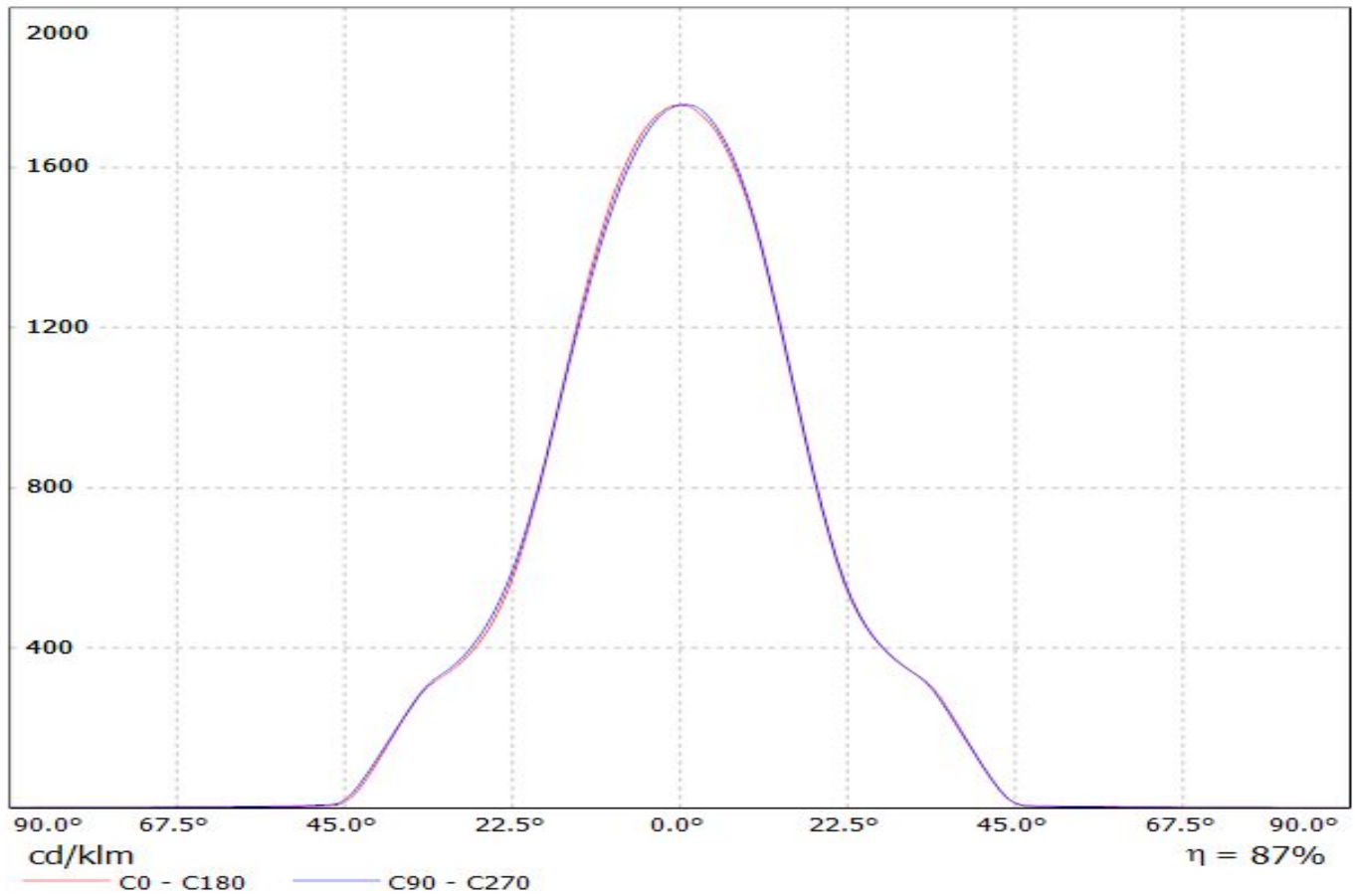
1/1

D

A

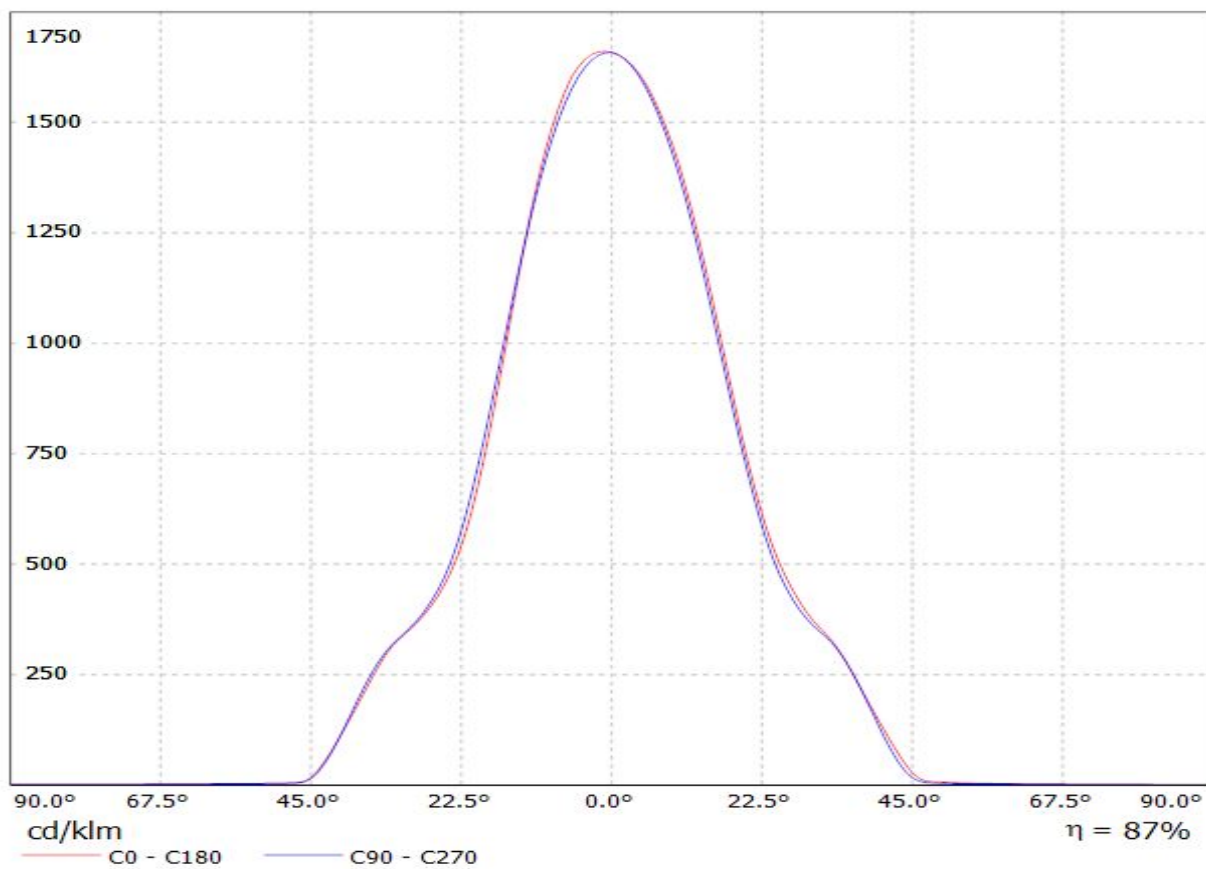
Luminaire: LEDiL Oy C13087_MIRELLA-50-W-PF_(NFCLL036B)

Lamps: 1 x Nichia_NFCLL036B_(sm403J1300R8000)_546.369lm@100mA_P=3.34274W_I=100.1mA



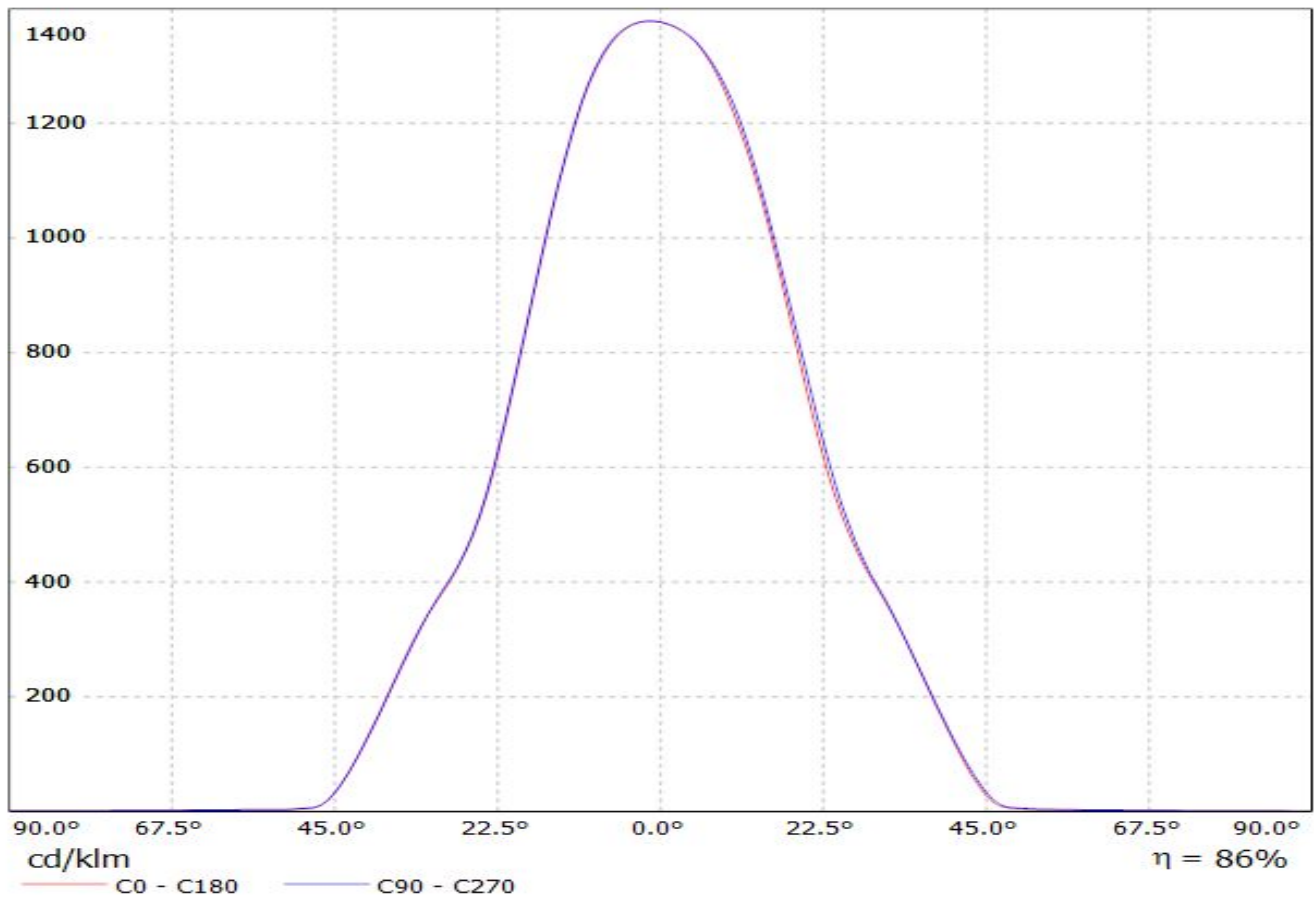
Luminaire: LEDiL Oy C13087_MIRELLA-50-W-PF_(COB_1203)

Lamps: 1 x Phillips_Lumileds_Luxeon_COB_1203_(LHC1-3080-1203)_987.649lm@250mA_P=8.67381W_I=249.8mA



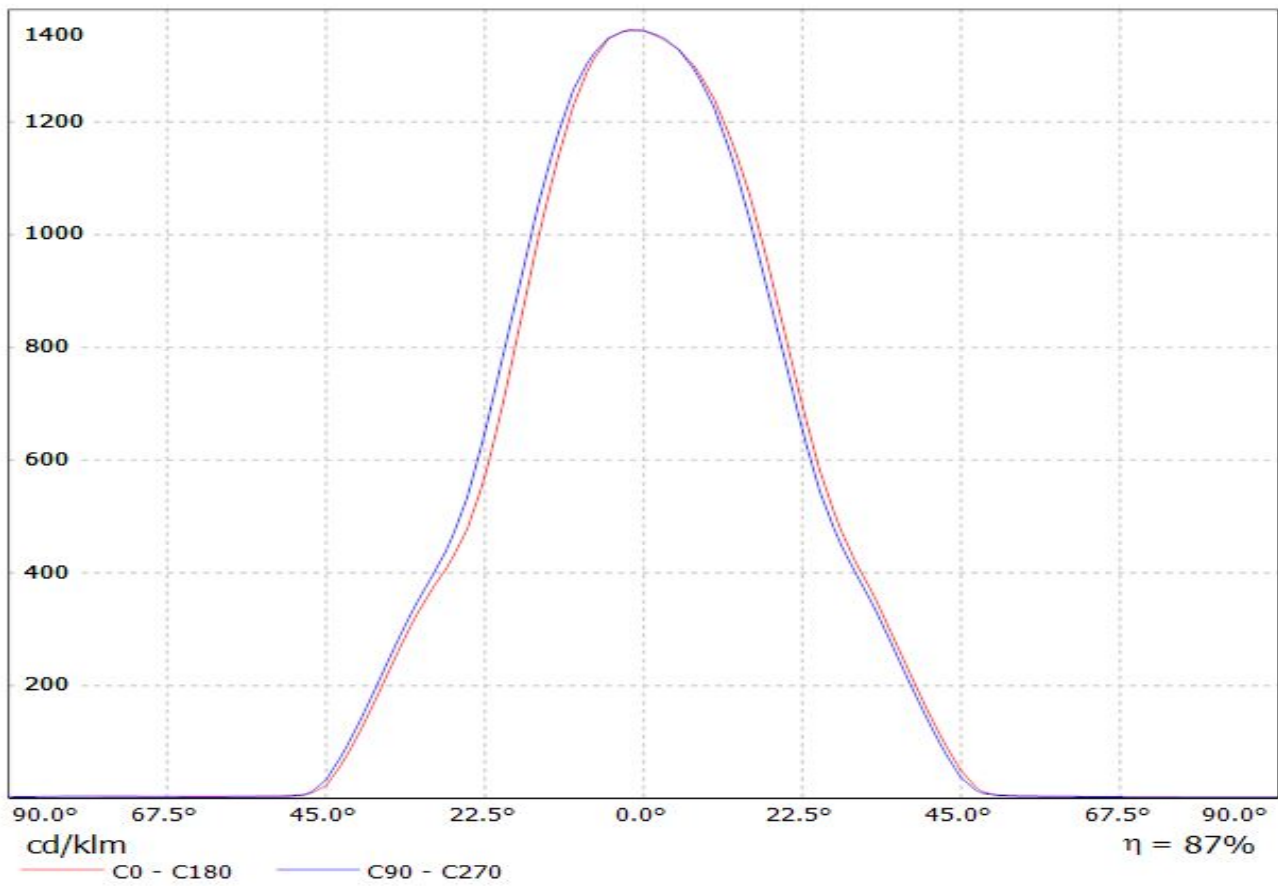
Luminaire: LEDiL Oy C13087_MIRELLA-50-W-PF_(NFCLL060B)

Lamps: 1 x Nichia_NFCLL060B_(sm403G2450R8000)_1315.54lm@250mA_P=8.47996W_I=249.8mA



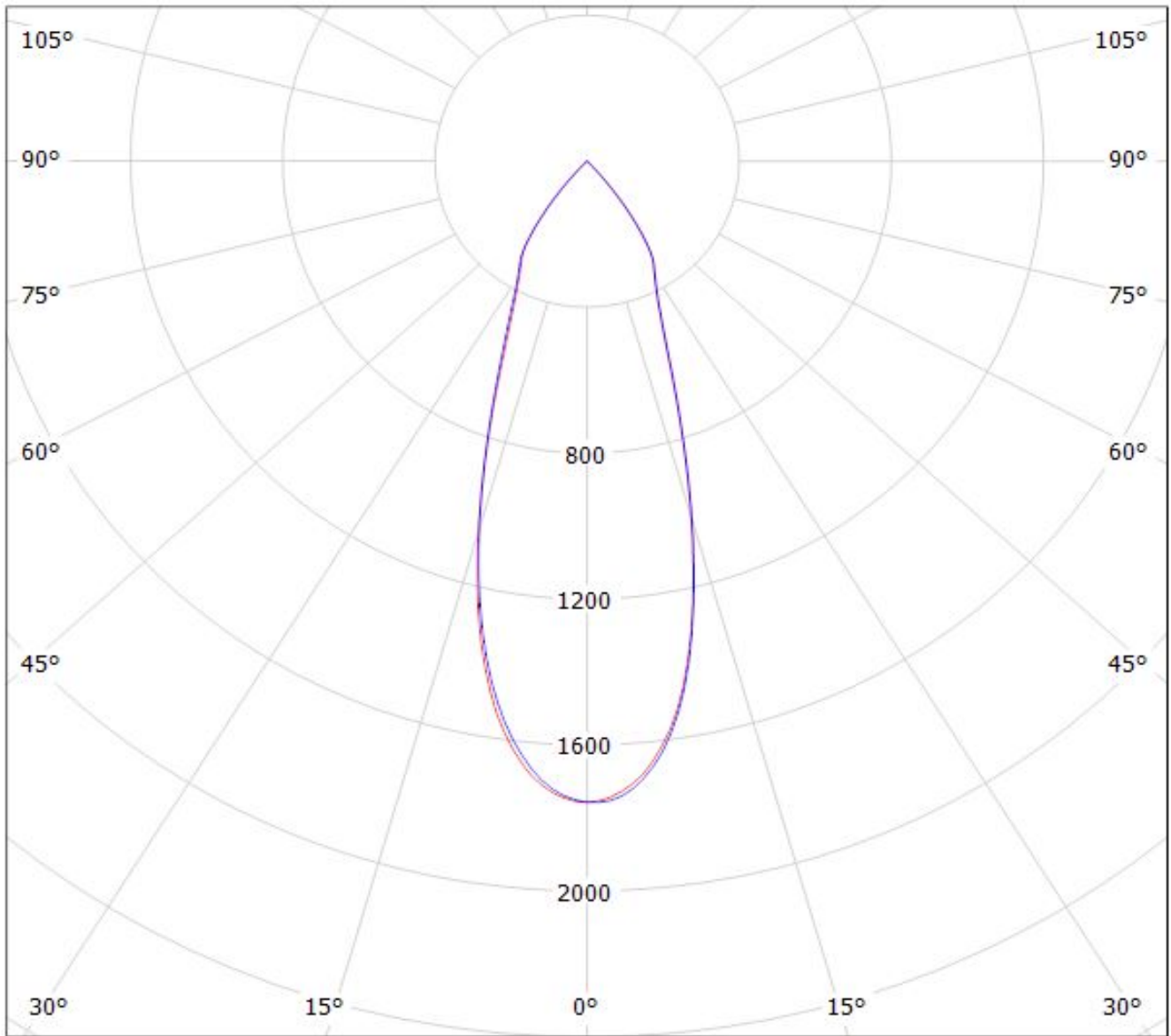
Luminaire: LEDiL Oy C13087_MIRELLA-50-W-PF_(CXA1816)

Lamps: 1 x CREE_CXA1816_(CXA1816-30F-P2-N0H-00001)_1077.67lm@250mA_P=8.73226W_I=249.8mA



Luminaire: LEDiL Oy C13087_MIRELLA-50-W-PF_(NFCLL036B)

Lamps: 1 x Nichia_NFCLL036B_(sm403J1300R8000)_546.369lm@100mA_P=3.34274W_I=100.1mA



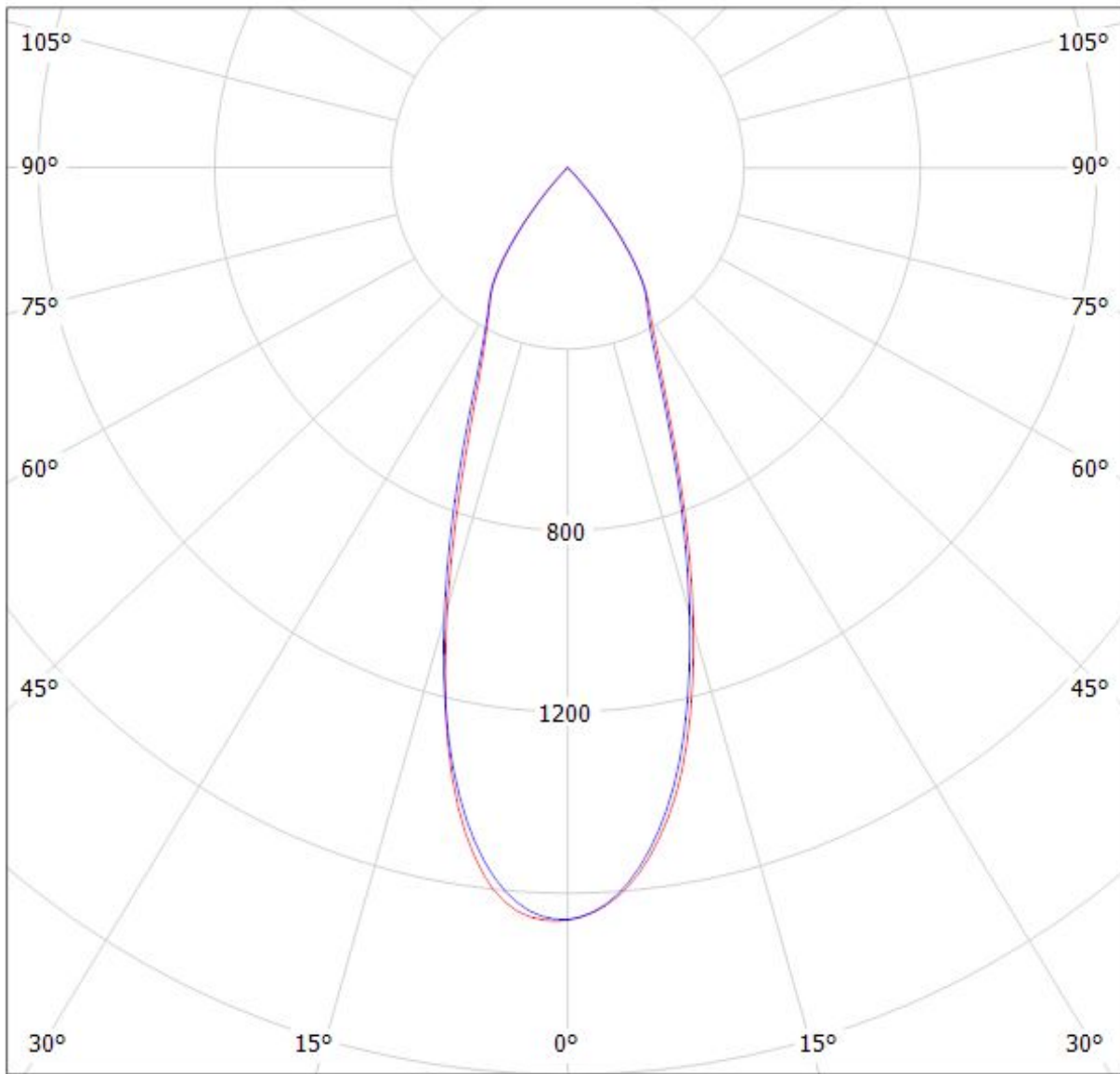
cd/klm

$\eta = 87\%$

— C0 - C180 — C90 - C270

Luminaire: LEDiL Oy C13087_MIRELLA-50-W-PF_(COB_1203)

Lamps: 1 x Phillips_Lumileds_Luxeon_COB_1203_(LHC1-3080-1203)_987.649lm@250mA_P=8.67381W_I=249.8mA



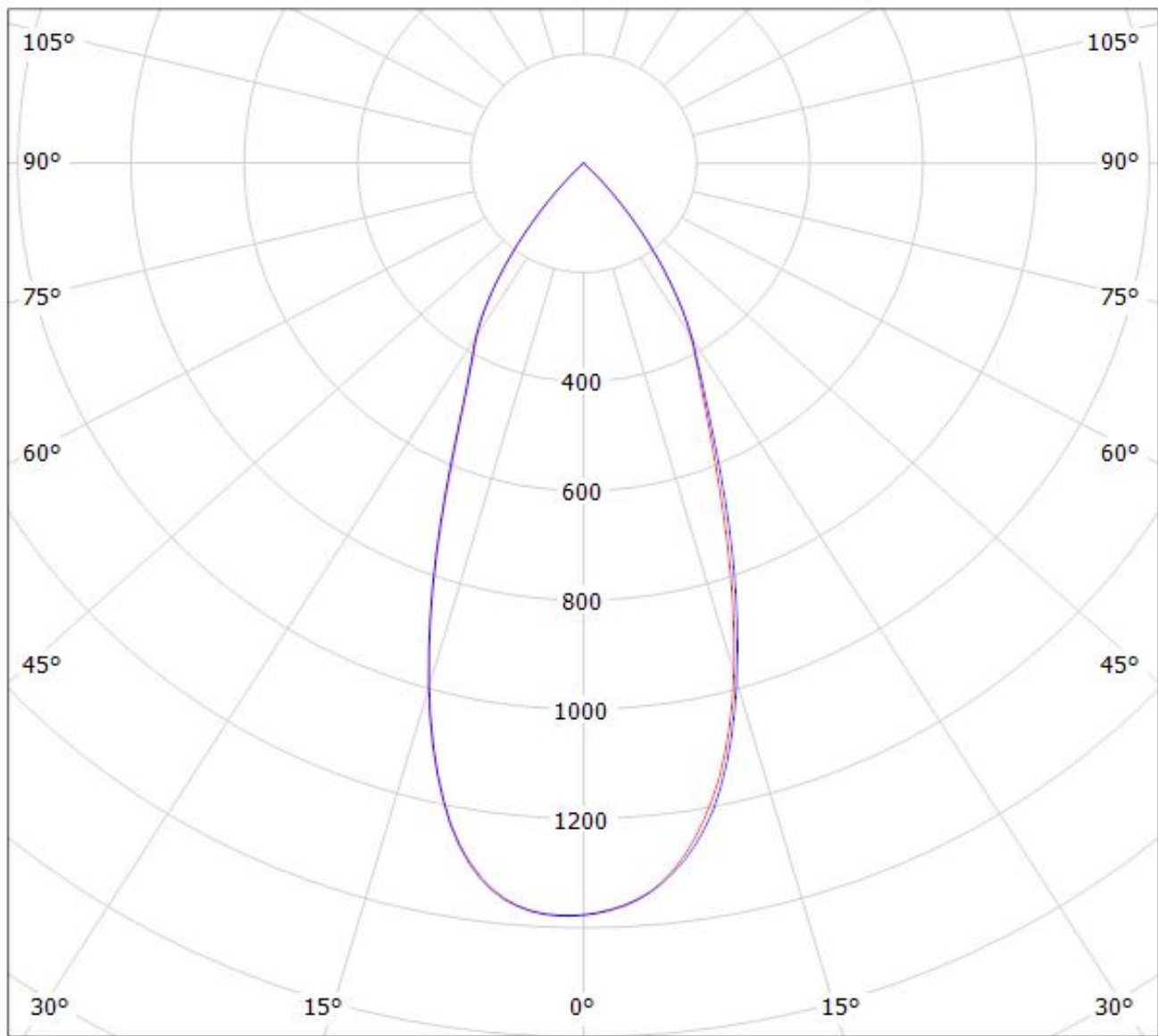
cd/klm

— C0 - C180 — C90 - C270

$\eta = 87\%$

Luminaire: LEDiL Oy C13087_MIRELLA-50-W-PF_(NFCLL060B)

Lamps: 1 x Nichia_NFCLL060B_(sm403G2450R8000)_1315.54lm@250mA_P=8.47996W_I=249.8mA



cd/klm

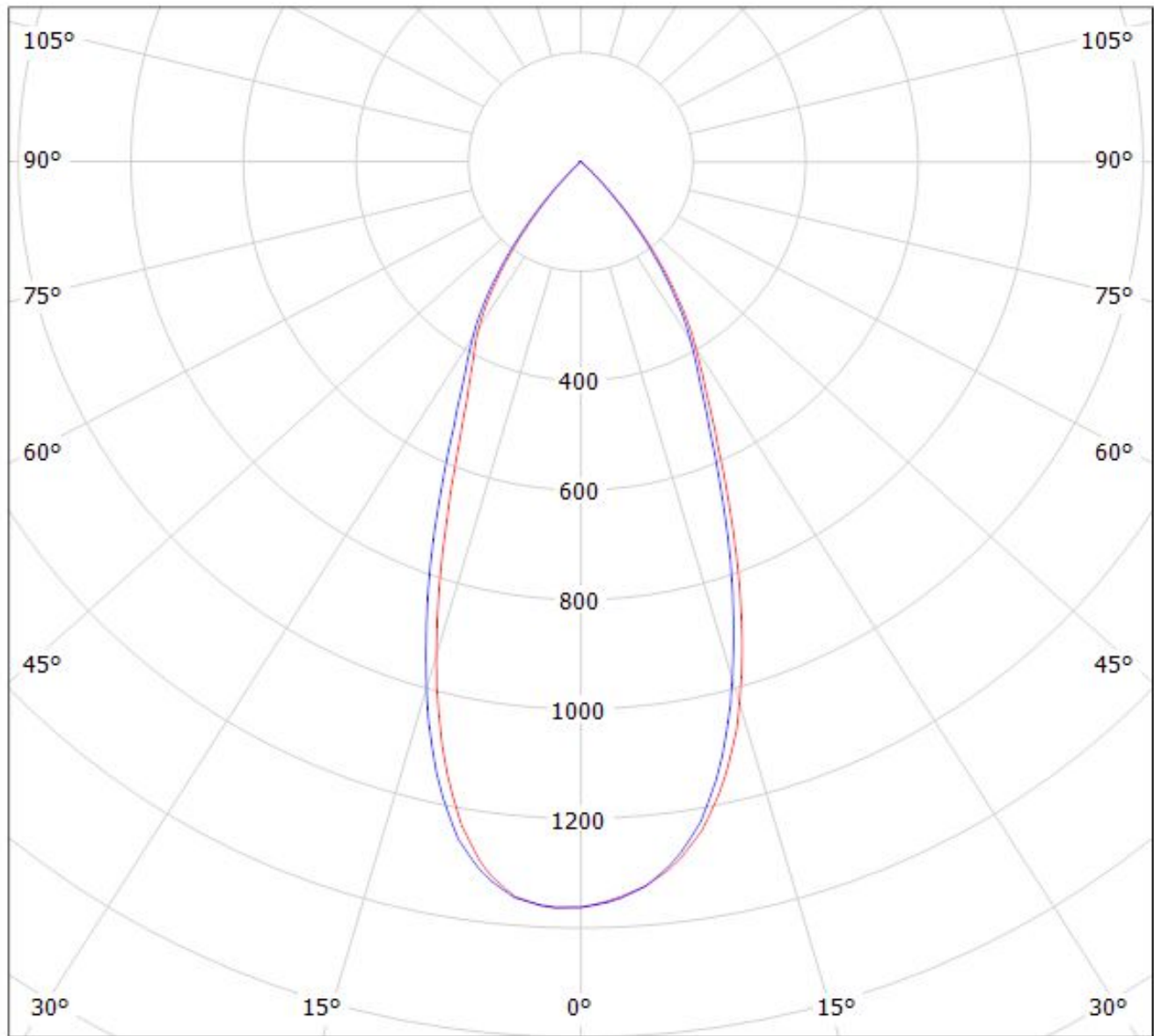
— C0 - C180

— C90 - C270

$\eta = 86\%$

Luminaire: LEDiL Oy C13087_MIRELLA-50-W-PF_(CXA1816)

Lamps: 1 x CREE_CXA1816_(CXA1816-30F-P2-N0H-00001)_1077.67lm@250mA_P=8.73226W_I=249.8mA



cd/klm

— C0 - C180

— C90 - C270

$\eta = 87\%$

NOTE: The typical divergence will be changed by different color, chip size and chip position tolerance. The typical total divergence is the full angle measured where the luminous intensity is half of the peak value.

GENERAL INFORMATION

- Product series especially designed & optimized for series of LEDs.
- Special care taken to make light distribution as uniform as possible.
- Reflector is made of aluminium coated PC (120 degrees of Celcius / 248 degrees of Fahrenheit) with protective lacquer (short term 100 degrees of Celcius / 212 degrees of Fahrenheit).

Note! Due to use of high power COB's with this product, special attention to proper thermal design is highly recommended. LEDiL has no liability for direct, indirect or consecutive damages arising from the LEDiL products being used outside of the recommended temperature range.