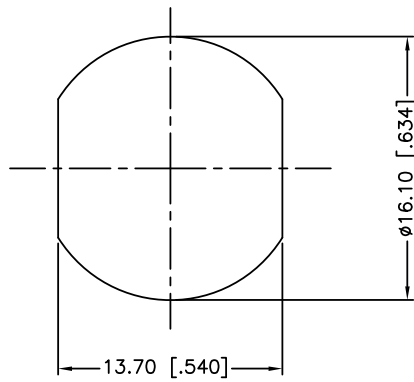
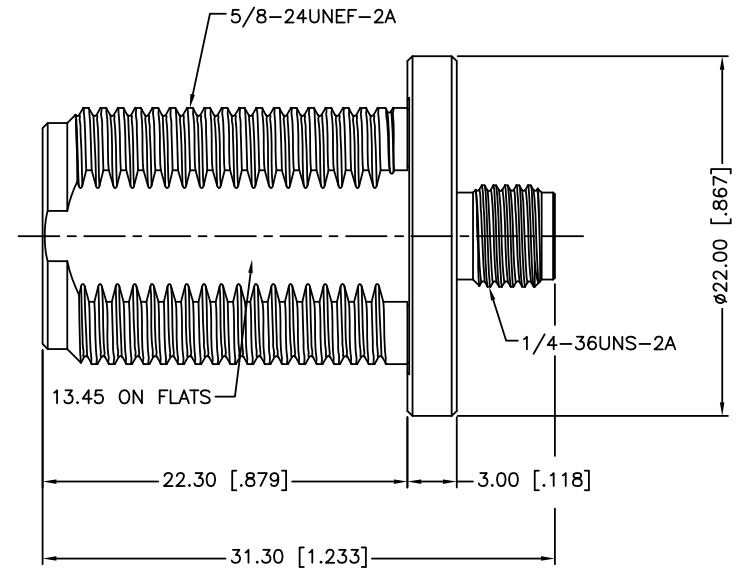
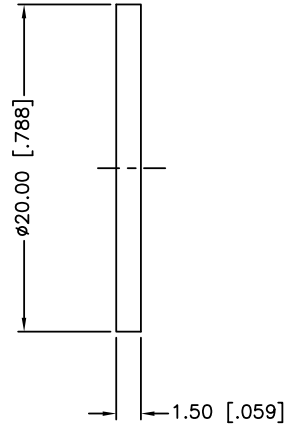
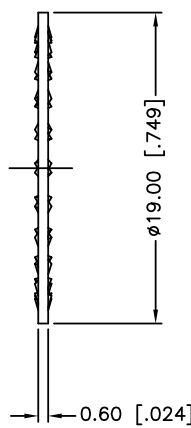
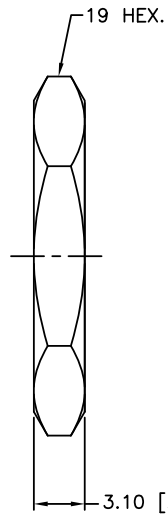


REV.	DATE	ECR NO.	DESCRIPTION
NC	06/11/09	XXXXXX	INITIAL RELEASE



RECOMMENDED MOUNTING HOLE



1. SEALING REQUIREMENT: IP-68 MUST WITHSTAND 3' DEPTH OF WATER FOR ONE HOUR WITHOUT ANY SIGNS OF LEAKAGE
2. MAX. PANEL THICKNESS= 6.8mm

QTY	DESCRIPTION	MATERIAL	FINISH	QTY
1	HEX NUT	BRASS	NICKEL	1
1	LOCK WASHER	BRASS	NICKEL	1
1	GASKET	SILICONE	RED	1
1	HOUSING	BRASS	NICKEL	1
1	CONTACT PIN	BER. COPPER	GOLD	1
1	O-RING	SILICONE	RED	1
1	INSULATOR	PTFE	NATURAL	1
1	BODY	BRASS	NICKEL	1
	DESCRIPTION	MATERIAL	FINISH	QTY

UNLESS OTHERWISE SPECIFIED DIMENSIONS ARE IN MILLIMETERS, DIMENSIONS IN [] ARE IN INCHES AND FOR CUSTOMER REFERENCE ONLY.	APPROVALS	DATE
UNLESS OTHERWISE SPECIFIED TOLERANCES FOR MILLIMETERS ARE: 0.5 - 8mm \pm 0.20mm 8 - 30mm \pm 0.40mm 30 - 120mm \pm 0.50mm UNLESS OTHERWISE SPECIFIED TOLERANCES FOR INCHES ARE: .020 - .315 = \pm 0.007" .315 - 1.180 = \pm 0.015" 1.180 - 4.724 = \pm 0.020" DO NOT SCALE DRAWING	DRAWN	06/11/09
	CHECKED	
	ISSUED	
	SHEET	1 OF 1
	CAD FILE	C:/CONNEX/242125-10.DWG

Amphenol Connex			
PART DESCRIPTION			
N FEMALE TO SMA FEMALE BULKHEAD ADAPTOR (IP 68)			
PART NO.		242125-10	
DWG. NO.	242125-10.DWG	REV.	NC
SIZE	A	SCALE	NA

Mouser Electronics

Authorized Distributor

Click to View Pricing, Inventory, Delivery & Lifecycle Information:

[Amphenol:](#)

[242125-10](#)