

Stop switch

84-6241.2B20

Distribution by
DigiKey

DigiKey



<https://digikey.eao.com/p/84-6241.2B20>

Your product:



84-6241.2B20 Stop switch

FRONT

Front dimension: Ø 32 mm

Front form: round

MOUNTING

Mounting cut-out: Ø 22.3 mm

OPERATING-/INDICATION PART

Illumination colour: Red

Lens material: Plastic

Lens illumination: illuminative

Switching position ring: Black

Lens shape: mushroom-head

Lens colour: Grey

Lens optics: opaque

ELECTRICAL CHARACTERISTICS

Thermal current I_{th}: 5 A

Standards: According to EN 60947-5-1, EN 60947-5-5, DIN EN ISO 13850, EN IEC 60204

Electrical lifetime: 50 000 cycles of operation

Rated Operational Voltage U_e: 250 VAC/DC according to EN IEC 60947-1

Protection class: II, according to EN / IEC 60947-5

Pollution degree: 3, according to EN IEC 60947-1

Contacts:	2 NC		
Electric strength:	500 VAC, 50 Hz, 1 minute according to DIN IEC 60512-2		
Overvoltage category:	II, according to EN / IEC 61058-1		
Operating voltage:	5 - 30 V DC (LED)		
Rated short-circuit current caused:	1 000 A, type of short-circuit device 6 A gG (EN 60947-5-1)		
Switching voltage and switching current:	Switch rating AC with silver contact (gold plated) Service category AC-15 as per EN IEC 60947-5-1	120 VAC 3 A	240 VAC 1,5 A
	Switch rating AC with silver contact (gold plated) Service category DC-13 as per EN IEC 60947-5-1		
	NO contacts (48 VA)	NC contacts (60 VA)	NO contacts (60 VA)
	12 VDC/2.0 A	12 VDC/2.5 A	12 VDC/2.5 A
	24 VDC/2.0 A	24 VDC/2.5 A	24 VDC/2.5 A
	48 VDC/1.0 A	48 VDC/1.25 A	48 VDC/1.25 A
	60 VDC/0.8 A	60 VDC/1.0 A	60 VDC/1.0 A
Rated impulse withstand voltage Uimp:	2.5 kV, according to EN / IEC 60947-1		
Rated insulation voltage Ui:	250 V according to EN / IEC 60947-1		

MECHANICAL CHARACTERISTIC

Terminal:	Plug-in terminal, 2.8 x 0.5 mm
Tightening torque:	Fixing nut 0.8 Nm
Operating force:	22 N ±4 N
Release type:	Twist to unlock
Mechanical lifetime:	≥50 000 cycles of operation
Switching action:	Maintained
Contact material:	Gold
Switching system:	Slow-make switching element
Operating Travel:	ca. 4 mm
Weight:	0.028 kg

AMBIENT CONDITION

Operating temperature:	- 25 °C ... + 65 °C
Storage temperature:	- 25 °C ... + 85 °C
Shock resistance:	Max. 150 m / s ² , pulse width 11 ms, 3-axis, (semi-sinusoidal as per EN IEC 60068-2-27)
Climate resistance:	

Damp heat, cyclic: 96 hours, + 25 °C/97 %, + 55 °C/93 % relative humidity, as per EN IEC 60068-2-30
 Damp heat, steady: 56 days, + 40 °C/93 % relative humidity, according to EN IEC 60068-2-78
 Dry heat: 96 hours, + 65 °C, as per EN IEC 60068-2-2
 Low temperature: 96 hours, – 25 °C (as per EN IEC 60068-2-1)) UV test, 56 days (EN 60068-2-5:1999)
 Saline mist: 96 hours, + 35 °C in chemical solution NaCl, as per EN IEC 60068-2-11

IP Protection: IP20 rear side

Vibration resistance: Max. 50 m / s² from 10 Hz ... 500 Hz, 10 cycles, 3-axis (sinusoidal EN IEC 60068-2-6)

IP front protection: IP65, according to DIN EN 60529

CERTIFICATE

Approbations: CCC, UL

Conformities: CE, UKCA, 2006 / 42 / EC (MD), 2011 / 65 / EC (RoHS)

OTHER

Housing material: Plastic

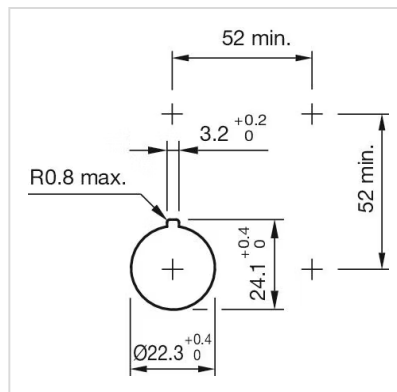
Material: Plastic

Short Description: Stop switch, Ø 22.3 mm, Ø 32 mm, mushroom-head, illuminative, Grey, Plastic, opaque, round, 2 NC, Maintained, Plug-in terminal, 2.8 x 0.5 mm, IP65, according to DIN EN 60529, Twist to unlock, Red

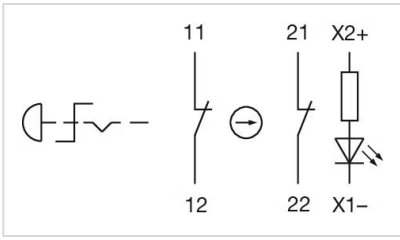
Housing colour: Grey

Hints: Position indication ring black, Twist to unlock clockwise, Luminosity and wave length variations caused by LED manufacturing processes may cause slight differences regarding the illumination. The customer has to decide what resistor shall be used to the LED

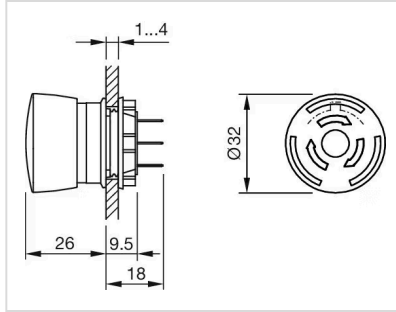
Mounting cut-outs:



Wiring diagrams:



Dimension drawings:



Component layouts:

