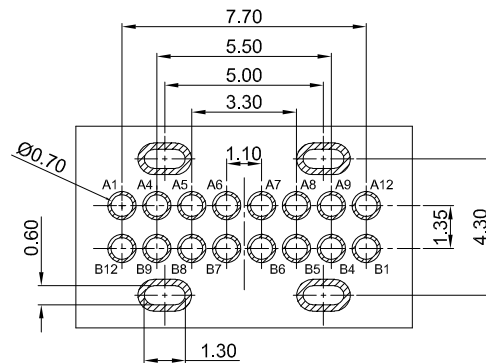
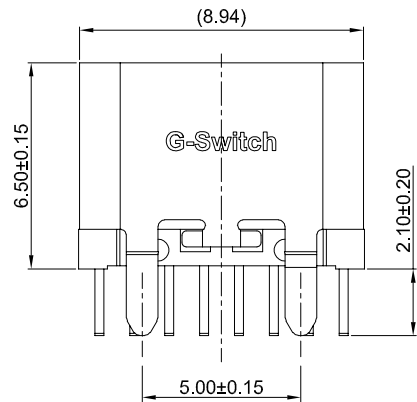


G-Switch USB-C Specification:

- Current rated: 5A on vbus/1.25A on vconn/0.25A on other
- Voltage rating: 24V AC
- Withstanding voltage: 100V AC/minute
- Contact resistance: 40mΩ Max
- Insulation resistance: 100MΩ Min
- Operating temperature: -40°C ~ +85°C
- Mating force: 5N~20N
- Unmating force: 8N~20N, after durability test: 6N~20N
- Durability cycle: 10,000 cycles

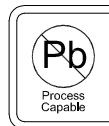


MOLDE CODE	PLATED ON CONTACT AREA
GT-USB-7119A-01	Au1u" Plating On Contact Area
GT-USB-7119A-03	Au3u" Plating On Contact Area

A1	A2	A3	A4	A5	A6	A7	A8	A9	A10	A11	A12
GND			VBUS	CC1	D+	D-	SBU1	VBUS			GND
First			First	Second	Second	Second	Second	First			First
B12	B11	B10	B9	B8	B7	B6	B5	B4	B3	B2	B1
GND			VBUS	SBU2	D-	D+	CC2	VBUS			GND
First			First	Second	Second	Second	Second	First			First

PCB REFERENCE DIAGRAM
TOLERANCE:±0.05

1	SHELL	SUS304	NI PLATED
2	MID PLATE	SUS301	NI PLATED
3	HOUSING	LCP+30%GF	BLACK UL 94V-0
4	TERMINALS	C7025	AU PLATED ON CONTACT AREA TIN PLATED ON SOLDER AREA
NO.	PARTS	MATERIAL	REMARKS



SCALE: 1:1 UNIT: mm
SIZE: A4

Unless otherwise
General Tolerance:
X. ±0.40
X.x ±0.30
X.xx ±0.20
X.xxx ±0.10
X* ±5°

Title: Vertical Type-C 16P Female DIP H=6.5mm			
Molde Code: GT-USB-7119A-XX			
DRAWN	CHECKED	APPROVED	DATE
Xia	Chen	Chen	2025.01.10



REV: A0 SHEET: 1/1