

Ordering Information:

A2005WVD-F-2xXP - ** - ** - ***
 1 2 3 4

1.Part NO.

2.Finish:

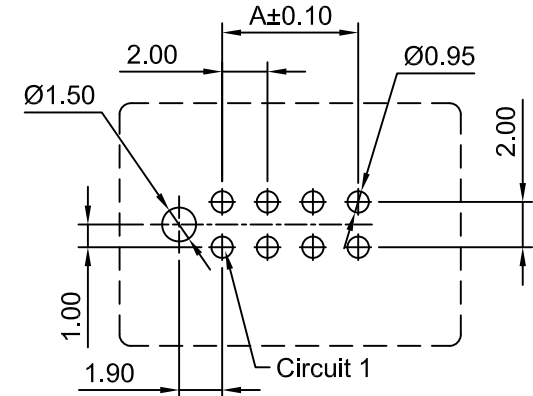
- (Blank): Tin over Nickel
- G: Gold over Nickel (Au:1u")
- G3: Gold over Nickel (Au:3u")
- G15: Gold over Nickel (Au:15u", Mating Area)
- G30: Gold over Nickel (Au:30u", Mating Area)

3.Size(D):

- (Blank): 2.60mm
- D40: 4.00mm D35: 3.50mm
- D30: 3.00mm D45: 4.50mm D21: 2.10mm

4.Packing:

- (Blank): Tube
- RE: Tape & Reel without Kaption Tape
- CRE: Tape & Reel with Kaption Tape



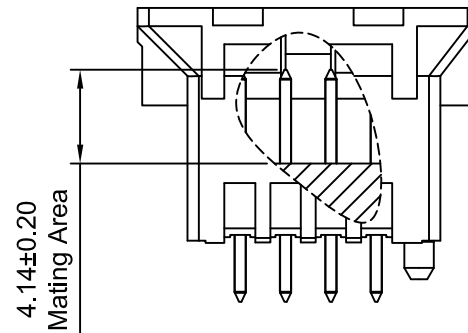
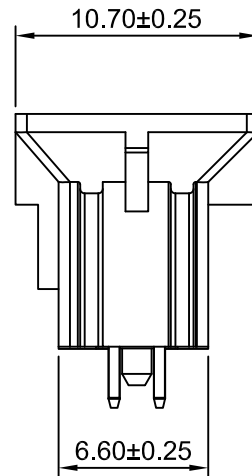
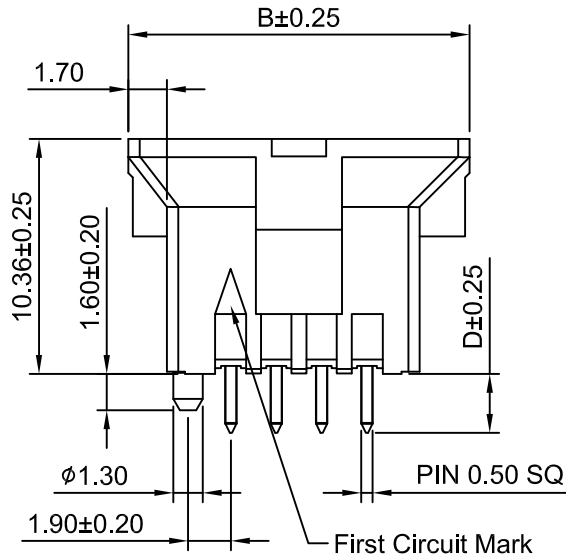
P.C.B LAYOUT
TOLERANCE:±0.05

SPECIFICATIONS:

- Current Rating: 3A AC,DC
- Voltage Rating: 250V AC,DC
- Temperature Range: -40°C ~ +105°C
- Contact Resistance: 20mΩ Max.
- Insulation Resistance: 1000MΩ Min.
- Withstanding Voltage: 500V AC/minute
- Pin Material: Phosphor Bronze
- Housing Material: LCP,UL94V-0(Black)

Ordering Information & Dimensions

Part NO.	Dimensions(mm)	
	A	B
A2005WVD-F-2x2P	2.00	11.05
A2005WVD-F-2x3P	4.00	13.05
A2005WVD-F-2x4P	6.00	15.05
A2005WVD-F-2x5P	8.00	17.05
A2005WVD-F-2x6P	10.00	19.05
A2005WVD-F-2x7P	12.00	21.05
A2005WVD-F-2x8P	14.00	23.05
A2005WVD-F-2x9P	16.00	25.05
A2005WVD-F-2x10P	18.00	27.05



CJTconn CHANGJIANG CONNECTORS CO.,LTD.

Unit	Scale	Sheet	TITLE
mm	3:1	1 of 2	2.00mm PITCH DUAL ROW DIP WAFER
DRWN	CHK'D	APPR	
Dengchun Yi	Diankui Wan	Jack Yin	DRAWING NO. A2005WVD-F-2xXP
General Tolerances			
A3	JL-GC-ECN00437	2024.12.04	REV A3
A2	CHANGE THE INFORMATION	2020.12.22	
A1	ADD THE SHEET 2	2020.11.03	
A0	NEW RELEASE	2020.06.24	
REV	DESCRIPTION	DATE	

x.xx±0.25	
x.xxx±0.20	
x.xxx±0.15	
ANGLES ±1°	