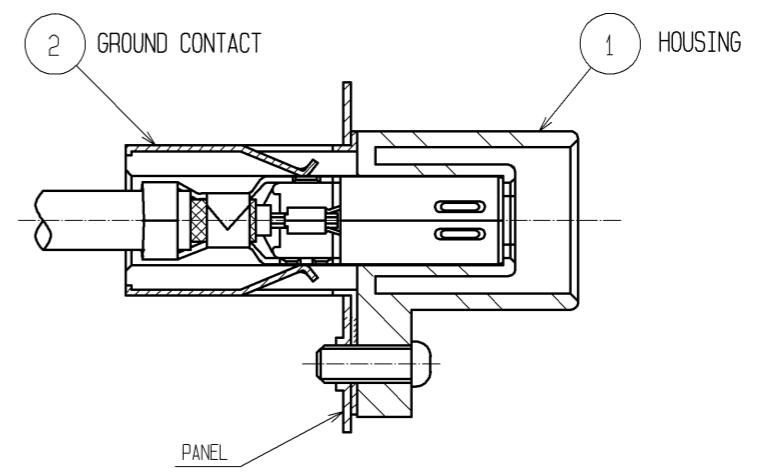
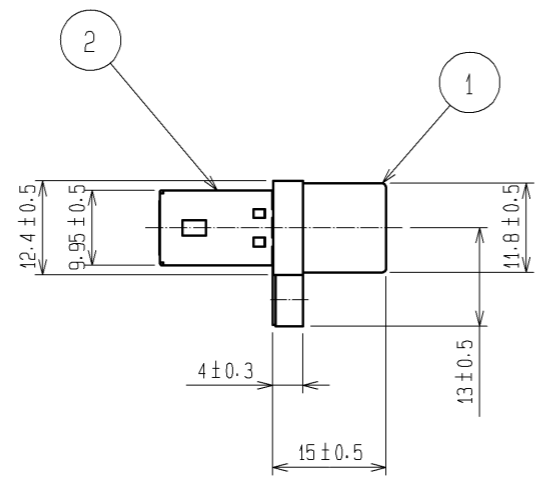
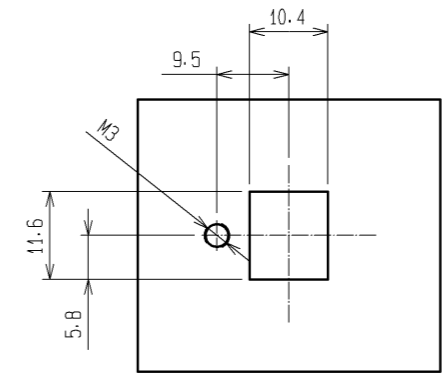
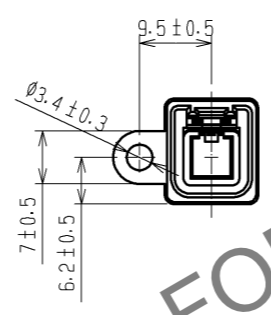
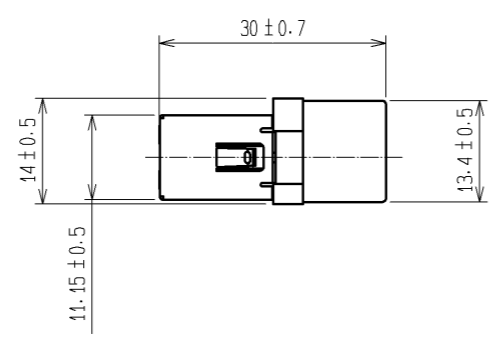
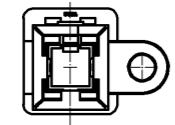


Jul.1.2024 Copyright 2024 HIROSE ELECTRIC CO., LTD. All Rights Reserved.  
 In case of consideration for using Automotive equipment / device which demand high reliability, kindly contact our sales window correspondents.

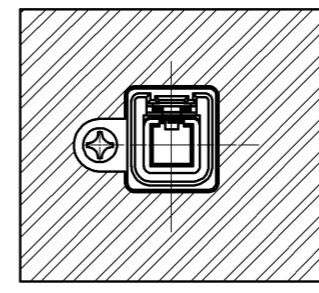
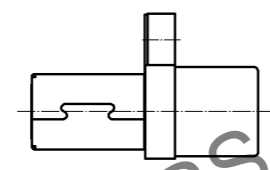
ELV. RoHS COMPLIANT



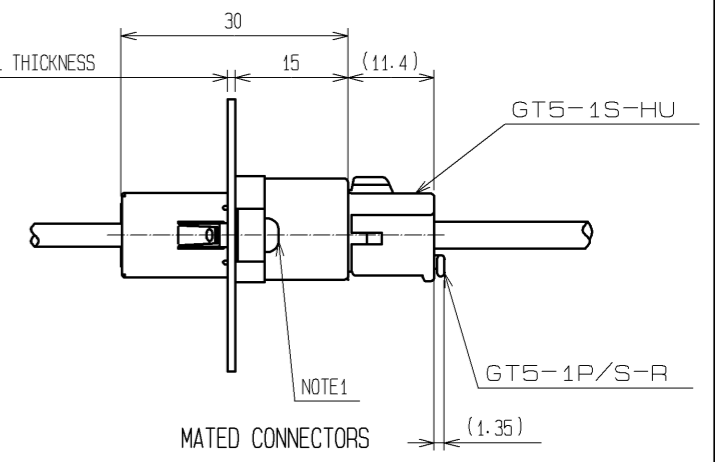
CUT SECTION INSERTED CONTACT(2:1)



RECOMMENDED PANEL CUT OUT



FIXED CONNECTOR ON THE PANEL



MATED CONNECTORS

NOTE1. FIXING SCREWS M3 OF JIS B1111.1101 SHALL BE USED FOR THIS PRODUCT.

1	PBT	LIGHT GRAY	2	BRASS	TIN PLATED, T=0.4		
NO.	MATERIAL	FINISH, REMARKS	NO.	MATERIAL	FINISH, REMARKS		
UNITS		SCALE	COUNT	DESCRIPTION OF REVISIONS	DESIGNED	CHECKED	DATE
mm		1:1	△				
<b>HRS</b> HIROSE ELECTRIC CO., LTD.		APPROVED : KS. SATOH	08.06.11	DRAWING NO. EDC3-165185-01			
		CHECKED : NH. NAKATA	08.06.10	PART NO. GT5P-1PP-HU(70)			
		DESIGNED : MO. OKADA	08.06.09	CODE NO. CL755-0030-7-70			
		DRAWN : MH. SHOUJI	08.05.22			△ 1/1	