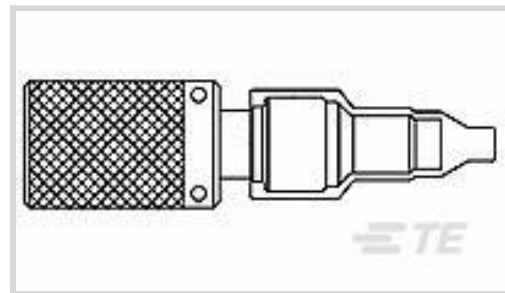




Cable Assemblies > Data Bus Components > Data Bus Connectors



Connector Type: **Plug**

Connector Style: **Threaded**

Contact Type: **Pin**

## Features

### Product Type Features

Product Type	Data Bus Component
Connector Type	Plug
Connector Style	Threaded

### Contact Features

Contact Type	Pin
--------------	-----

### Termination Features

Connection Type	Solder
-----------------	--------

### Usage Conditions

Operating Temperature (Max)	125 °C
-----------------------------	--------

## Product Compliance

[For compliance documentation, visit the product page on TE.com>](#)

EU RoHS Directive 2011/65/EU	Not Compliant
EU ELV Directive 2000/53/EC	Not Compliant
China RoHS 2 Directive MIIT Order No 32, 2016	Restricted Materials Above Threshold
EU REACH Regulation (EC) No. 1907/2006	Current ECHA Candidate List: JAN 2019 (197) Candidate List Declared Against: JAN 2019 (197)
Halogen Content	Low Halogen - Br, Cl, F, I < 900 ppm per homogenous material. Also BFR/CFR/PVC Free
Solder Process Capability	Not applicable for solder process capability

Product Compliance Disclaimer

This information is provided based on reasonable inquiry of our suppliers and represents our current actual knowledge based on the information they provided. This information is subject to change. The part numbers that TE has identified as EU RoHS compliant have a maximum concentration of 0.1% by weight in homogenous materials for lead, hexavalent chromium, mercury, PBB, PBDE, DBP, BBP, DEHP, DIBP, and 0.01% for cadmium, or qualify for an exemption to these limits as defined in the Annexes of Directive 2011/65/EU (RoHS2). Finished electrical and electronic equipment products will be CE marked as required by Directive 2011/65/EU. Components may not be CE marked. Additionally, the part numbers that TE has identified as EU ELV compliant have a maximum concentration of 0.1% by weight in homogenous materials for lead, hexavalent chromium, and mercury, and 0.01% for cadmium, or qualify for an exemption to these limits as defined in the Annexes of Directive 2000/53/EC (ELV). Regarding the REACH Regulations, TE's information on SVHC in articles for this part number is still based on the European Chemical Agency (ECHA) 'Guidance on requirements for substances in articles' (Version: 2, April 2011), applying the 0.1% weight on weight concentration threshold at the finished product level. TE is aware of the European Court of Justice ruling of September 10th, 2015 also known as O5A (Once An Article Always An Article) stating that, in case of 'complex object', the threshold for a SVHC must be applied to both the product as a whole and simultaneously to each of the articles forming part of its composition. TE has evaluated this ruling based on the new ECHA "Guidance on requirements for substances in articles" (June 2017, version 4.0) and will be updating its statements accordingly.

### Compatible Parts

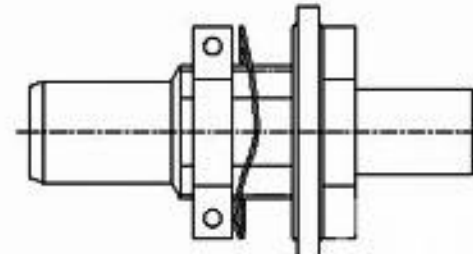


TE Part # 750984-004  
 10612-24-9

### Customers Also Bought



TE Part # 152339-000  
 D-602-0123



TE Part # 601155-000  
 D-621-0012



TE Part # 488105-000  
 D-602-0127

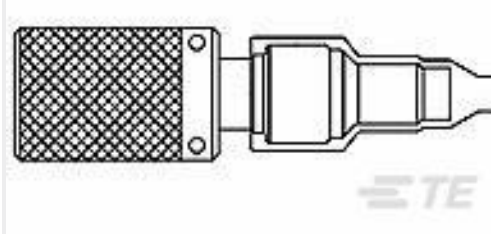


TE Part # 423649-000  
 S03-05-R-100

TE Part # 6162-325-1231  
 COAX SOC ASSY



TE Part # 610002-000  
 D-300-12



TE Part # 018591-000  
 DK-621-0011-S



TE Part # DTS20W23-55PN  
 RECP ASSY



## Documents

### Product Drawings

[DK-621-0011-P](#)

English

---

### Datasheets & Catalog Pages

[Data Bus Components Brochure](#)

English

---

### Product Specifications

[Product Specification](#)

English

---

### Product Environmental Compliance

[REACH Substance Communication Document](#)

English

---

### Instruction Sheets

[Instruction Sheet \(U.S.\)](#)

English