



**AOS**  
**SEMICONDUCTOR**

## 产品规格说明书

Product Data Sheet

**AOS74LVC1G10GW**

WEB | [www.aossemi.cn](http://www.aossemi.cn) 



电源管理IC



通信接口芯片



二三极管



LDO稳压器



逻辑器件



MOSFETs



运算放大器



显示驱动



MCU单片机



光电器件



## AOS74LVC1G10 Single 2-Input AND Gate with Open-Drain Output

### DESCRIPTIONS

The AOS74LVC1G10 is a single 3-input NAND gate designed for 1.65V to 5.5V  $V_{CC}$  operation. Inputs can be driven from either 3.3V or 5V devices. This feature allows the use of these devices as translators in mixed 3.3V and 5V applications.

The AOS74LVC1G10 is fully specified for partial-power-down applications using Ioff. The Ioff circuitry disables the outputs, preventing damaging current backflow through the device when it is powered down.

This device available in Green SC70-6 package. It operates over an ambient temperature range of -40°C to +125°C.

### FEATURES

- Operating Voltage Range: 1.65V to 5.5V
- Low Power Consumption: 10 $\mu$ A (Max)
- Operating Temperature Range: -40°C to 125°C
- Inputs Accept Voltage to 5.5V
- High Output Drive:  $\pm$ 24mA at  $V_{CC}$ =3.0V
- Ioff Supports Live Insertion, Partial-Power Down Mode, and Back-Drive Protection
- Micro Size Packages: SC70-6

### APPLICATIONS

- AC Receiver
- Portable Media Player
- Blu-ray Player and Home Theater
- Digital Picture Frame (DPF)
- Personal Navigation Device (GPS)
- High-Speed Data Acquisition and Generation

Logic Symbol



Device Information<sup>(1)</sup>

PART NUMBER	PACKAGE	BODY SIZE (NOM)
74LVC1G10	SC70-6	2.10mm x 1.25mm

(1) For all available packages, see the orderable addendum at the end of the data sheet.

### PACKAGE/ORDERING INFORMATION

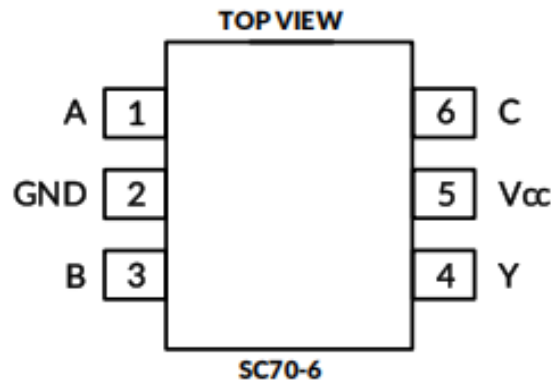
PRODUCT	ORDERING NUMBER	TEMPERATURE RANGE	PACKAGE LEAD	PACKAGE MARKING <sup>(1)</sup>	MSL <sup>(3)</sup>	PACKAGE OPTION
74LVC1G10	74LVC1G10GW	-40°C ~ +125°C	SC70-6 <sup>(4)</sup>	1G10	MSL3	Tape and Reel , 3000

#### NOTE:

- (1) This information is the most current data available for the designated devices. This data is subject to change without notice and revision of this document. For browser-based versions of this data sheet, refer to the right-hand navigation.
- (2) There may be additional marking, which relates to the lot trace code information (data code and vendor code), the logo or the environmental category on the device.
- (3) MSL, The Moisture Sensitivity Level rating according to the JEDEC industry standard classifications.
- (4) Equivalent to SOT363.



PIN CONFIGURATIONS



PIN DESCRIPTION

PIN	NAME	I/O TYPE <sup>(1)</sup>	FUNCTION
SC70-6			
1	A	I	Input A
2	GND	P	Ground
3	B	P	Input B
4	Y	O	Output Y
5	Vcc	P	Power Pin
6	C	I	Input C

(1) I=input, O=output, P=power.

Function Table

INPUTS			OUTPUT
A	B	C	Y
H	H	H	L
L	X	X	H
X	L	X	H
X	X	L	H

(1) H=High Voltage Level ;  
L=Low Voltage Level ;  
X=Don't Care.



## Specifications

### Absolute Maximum Ratings

Over operating free-air temperature range (unless otherwise noted)<sup>(1)(2)</sup>

			MIN	MAX	UNIT
V <sub>CC</sub>	Supply voltage range		-0.5	6.5	V
V <sub>I</sub>	Input voltage range <sup>(2)</sup>		-0.5	6.5	
V <sub>O</sub>	Voltage range applied to any output in the high-impedance or power-off state <sup>(2)</sup>		-0.5	6.5	
V <sub>O</sub>	Voltage range applied to any output in the high or low state <sup>(2)(3)</sup>		-0.5	V <sub>CC</sub> +0.5	
I <sub>IK</sub>	Input clamp current	V <sub>I</sub> <0		-50	mA
I <sub>OK</sub>	Output clamp current	V <sub>O</sub> <0		-50	
I <sub>O</sub>	Continuous output current			± 50	mA
	Continuous current through V <sub>CC</sub> or GND			± 100	
J <sub>A</sub>	Package thermal impedance <sup>(4)</sup>	SC70-6		265	°C/W
T <sub>J</sub>	Junction temperature <sup>(5)</sup>		-65	150	°C
T <sub>stg</sub>	Storage temperature		-65	150	

- (1) Stresses beyond those listed under Absolute Maximum Ratings may cause permanent damage to the device. These are stress ratings only, and functional operation of the device at these or any other conditions beyond those indicated under Recommended Operating Conditions is not implied. Exposure to absolute-maximum-rated conditions for extended periods may affect device reliability.
- (2) The input and output negative-voltage ratings may be exceeded if the input and output current ratings are observed.
- (3) The value of V<sub>CC</sub> is provided in the Recommended Operating Conditions table.
- (4) The package thermal impedance is calculated in accordance with JESD-51.
- (5) The maximum power dissipation is a function of T<sub>J(MAX)</sub>, R<sub>JA</sub>, and T<sub>A</sub>. The maximum allowable power dissipation at any ambient temperature is P<sub>D</sub> = (T<sub>J(MAX)</sub> - T<sub>A</sub>) / R<sub>JA</sub>. All numbers apply for packages soldered directly onto a PCB.



### ESD Ratings

The following ESD information is provided for handling of ESD-sensitive devices in an ESD protected area only.

			VALUE	UNIT
V <sub>(ESD)</sub>	Electrostatic discharge	Human-Body Model (HBM)	± 2000	V
		Charged-Device Model (CDM)	± 1000	
		Machine Model (MM)	± 200	



ESD SENSITIVITY CAUTION

ESD damage can range from subtle performance degradation to complete device failure. Precision integrated circuits may be more susceptible to damage because very small parametric changes could cause the device not to meet its published specifications.



**ELECTRICAL CHARACTERISTICS**

over recommended operating free-air temperature range (TYP values are at  $T_A=+25^{\circ}\text{C}$ , unless otherwise noted.) <sup>(1)</sup>

**Recommended Operating Conditions**

SYMBOL	PARAMETER	TEST CONDITIONS	MIN	MAX	UNIT
$V_{CC}$	Supply Voltage	Operating	1.65	5.5	V
		Data retention only	1.5		
$V_{IH}$	High-Level Input Voltage	$V_{CC}=1.65\text{V to }1.95\text{V}$	$0.65 \times V_{CC}$		
		$V_{CC}=2.3\text{V to }2.7\text{V}$	1.7		
		$V_{CC}=3\text{V to }3.6\text{V}$	2		
		$V_{CC}=4.5\text{V to }5.5\text{V}$	$0.7 \times V_{CC}$		
$V_{IL}$	Low-Level Input Voltage	$V_{CC}=1.65\text{V to }1.95\text{V}$		$0.25 \times V_{CC}$	
		$V_{CC}=2.3\text{V to }2.7\text{V}$		0.7	
		$V_{CC}=3\text{V to }3.6\text{V}$		0.8	
		$V_{CC}=4.5\text{V to }5.5\text{V}$		$0.3 \times V_{CC}$	
$V_I$	Input Voltage		0	5.5	
$V_O$	Output Voltage		0	$V_{CC}$	
$I_{OH}$	High-Level Output Current	$V_{CC}=1.65\text{V}$		-4	
		$V_{CC}=2.3\text{V}$		-8	
		$V_{CC}=3\text{V}$		-16	
				-24	
		$V_{CC}=4.5\text{V}$		-32	
$I_{OL}$	Low-Level Output Current	$V_{CC}=1.65\text{V}$		4	
		$V_{CC}=2.3\text{V}$		8	
		$V_{CC}=3\text{V}$		16	
				24	
		$V_{CC}=4.5\text{V}$		32	
$t_r / t_f$	Input Transition Rise or Fall	$V_{CC}=1.8\text{V} \pm 0.15\text{V}, 2.5\text{V} \pm 0.2\text{V}$		20	
		$V_{CC}=3.3\text{V} \pm 0.3\text{V}$		10	
		$V_{CC}=5\text{V} \pm 0.5\text{V}$		10	
$T_A$	Operating Temperature		-40	125	$^{\circ}\text{C}$

(1) All unused inputs of the device must be held at  $V_{CC}$  or GND to ensure proper device operation.



Electrical Characteristics

PARAMETER		CONDITIONS	V <sub>CC</sub>	MIN <sup>(2)</sup>	TYP <sup>(3)</sup>	MAX <sup>(2)</sup>	UNIT
V <sub>OH</sub>		I <sub>OH</sub> =-100μA	1.65V to 5.5V	V <sub>CC</sub> -0.1			
		I <sub>OH</sub> =-4mA	1.65V	1.2			
		I <sub>OH</sub> =-8mA	2.3V	1.9			
		I <sub>OH</sub> =-16mA	3V	2.4			
		I <sub>OH</sub> =-24mA		2.3			
		I <sub>OH</sub> =-32mA	4.5V	3.8			
V <sub>OL</sub>		I <sub>OH</sub> =100μA	1.65V to 5.5V			0.1	V
		I <sub>OH</sub> =4mA	1.65V			0.45	
		I <sub>OH</sub> =8mA	2.3V			0.3	
		I <sub>OH</sub> =16mA	3V			0.4	
		I <sub>OH</sub> =24mA				0.55	
		I <sub>OH</sub> =32mA	4.5V			0.55	
I <sub>I</sub>	All inputs	V <sub>I</sub> =5.5V or GND	0V to 5.5V			± 5	μA
	I <sub>off</sub>	V <sub>I</sub> or V <sub>O</sub> =5.5V	0			± 10	
	I <sub>CC</sub>	V <sub>I</sub> =5.5V or GND, I <sub>O</sub> =0	1.65V to 5.5V			10	
	Δ I <sub>CC</sub>	One input at V <sub>CC</sub> -0.6V, Other inputs at V <sub>CC</sub> or GND	3V to 5.5V			500	
	C <sub>i</sub>	V <sub>I</sub> =V <sub>CC</sub> or GND	3.3V		4		

- (1) All unused inputs of the device must be held at V<sub>CC</sub> or GND to ensure proper device operation.
- (2) Limits are 100% production tested at 25°C. Limits over the operating temperature range are ensured through correlations using statistical quality control (SOC) method.
- (3) Typical values represent the most likely parametric norm as determined at the time of characterization. Actual typical values may vary over time and will also depend on the application and configuration.



## Switching Characteristics

PARAMETER	SYMBOL	TEST CONDITIONS		MIN <sup>(2)</sup>	TYP <sup>(3)</sup>	MAX <sup>(2)</sup>	UNIT	
Propagation Delay	t <sub>pd</sub>	V <sub>CC</sub> =1.8V ± 0.15V	C <sub>L</sub> =30pF, R <sub>L</sub> =1k	Full	6	13	26	ns
		V <sub>CC</sub> =2.5V ± 0.2V	C <sub>L</sub> =30pF, R <sub>L</sub> =500		3	7	14.5	
		V <sub>CC</sub> =3.3V ± 0.3V	C <sub>L</sub> =50pF, R <sub>L</sub> =500		2.6	5.5	11.5	
		V <sub>CC</sub> =5V ± 0.5V	C <sub>L</sub> =50pF, R <sub>L</sub> =500		1.6	4.5	10	

- (1) All unused inputs of the device must be held at V<sub>CC</sub> or GND to ensure proper device operation.
- (2) This parameter is ensured by design and/or characterization and is not tested in production.
- (3) Typical values represent the most likely parametric norm as determined at the time of characterization. Actual typical values may vary over time and will also depend on the application and configuration.

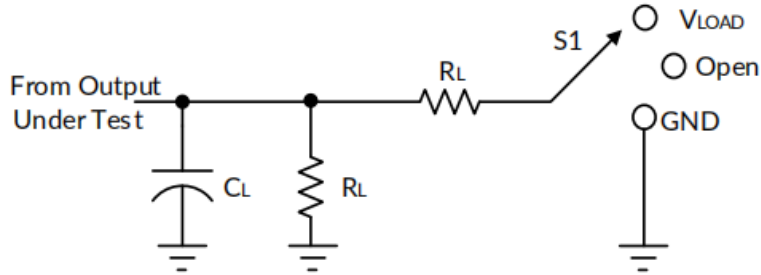
## Operating Characteristics

T<sub>A</sub>=+25°C

PARAMETER		TEST CONDITIONS	V <sub>CC</sub> =1.8V	V <sub>CC</sub> =2.5V	V <sub>CC</sub> =3.3V	V <sub>CC</sub> =5V	UNIT
			TYP	TYP	TYP	TYP	
C <sub>pd</sub>	Power Dissipation Capacitance	f=10MHz	12	15	18	20	pF

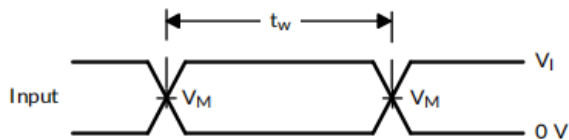


PARAMETER MEASUREMENT INFORMATION

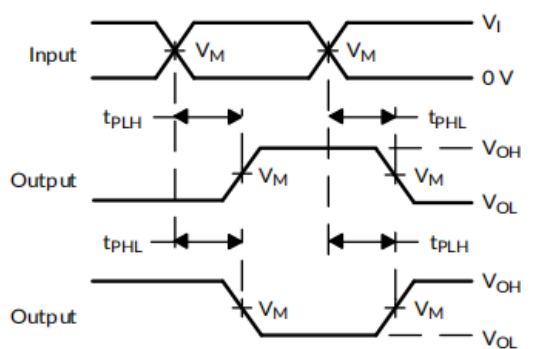


TEST	S1
$t_{PLH}/t_{PHL}$	Open
$t_{PLZ}/t_{PZL}$	$V_{LOAD}$
$t_{PHZ}/t_{PZH}$	GND

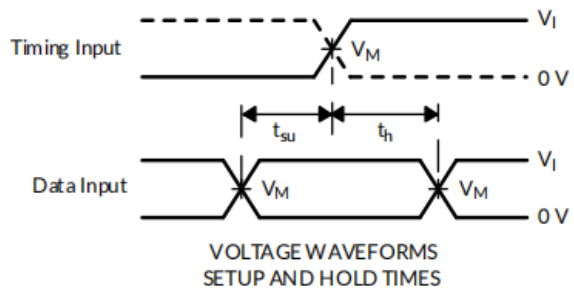
$V_{CC}$	INPUTS		$V_M$	$V_{LOAD}$	$C_L$	$R_L$	V
	$V_i$	$t_r/t_f$					
$1.8V \pm 0.15V$	$V_{CC}$	$\leq 2ns$	$V_{CC}/2$	$2 \times V_{CC}$	30pF	1k	0.15V
$2.5V \pm 0.2V$	$V_{CC}$	$\leq 2ns$	$V_{CC}/2$	$2 \times V_{CC}$	30pF	500	0.15V
$3.3V \pm 0.3V$	3V	$\leq 2.5ns$	1.5V	6V	50pF	500	0.3V
$5V \pm 0.5V$	$V_{CC}$	$\leq 2.5ns$	$V_{CC}/2$	$2 \times V_{CC}$	50pF	500	0.3V



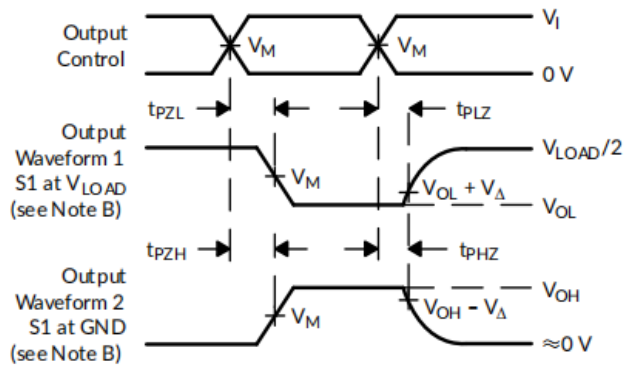
VOLTAGE WAVEFORMS PULSE DURATION



VOLTAGE WAVEFORMS PROPAGATION DELAY TIMES INVERTION AND NONINVERTING OUTPUTS



VOLTAGE WAVEFORMS SETUP AND HOLD TIMES



VOLTAGE WAVEFORMS ENABLE AND DISABLE TIMES LOW-AND HIGH-LEVEL ENABLING

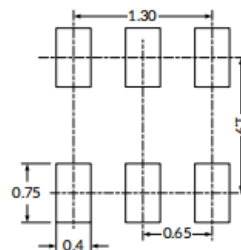
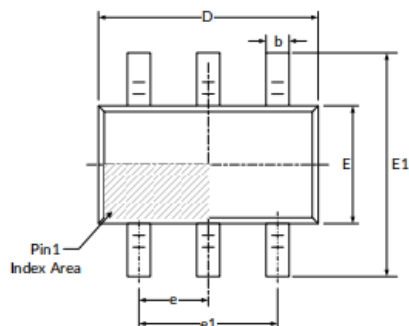


- NOTES:
- A.  $C_L$  includes probe and jig capacitance.
  - B. Waveform 1 is for an output with internal conditions such that the output is low, except when disabled by the output control.  
Waveform 2 is for an output with internal conditions such that the output is high, except when disabled by the output control.
  - C. All input pulses are supplied by generators having the following characteristics:  $PRR \leq 10$  MHz,  $Z_0 = 50 \Omega$ .
  - D. The outputs are measured one at a time, with one transition per measurement.
  - E.  $t_{PLZ}$  and  $t_{PHZ}$  are the same as  $t_{dis}$ .
  - F.  $t_{PZL}$  and  $t_{PZH}$  are the same as  $t_{en}$ .
  - G.  $t_{PLH}$  and  $t_{PHL}$  are the same as  $t_{pd}$ .
  - H. All parameters and waveforms are not applicable to all devices.

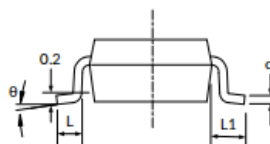
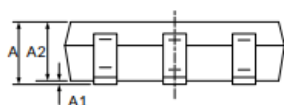
Figure 1. Load Circuit and Voltage Waveforms



PACKAGE OUTLINE DIMENSIONS  
SC70-6<sup>(3)</sup>



RECOMMENDED LAND PATTERN (Unit: mm)



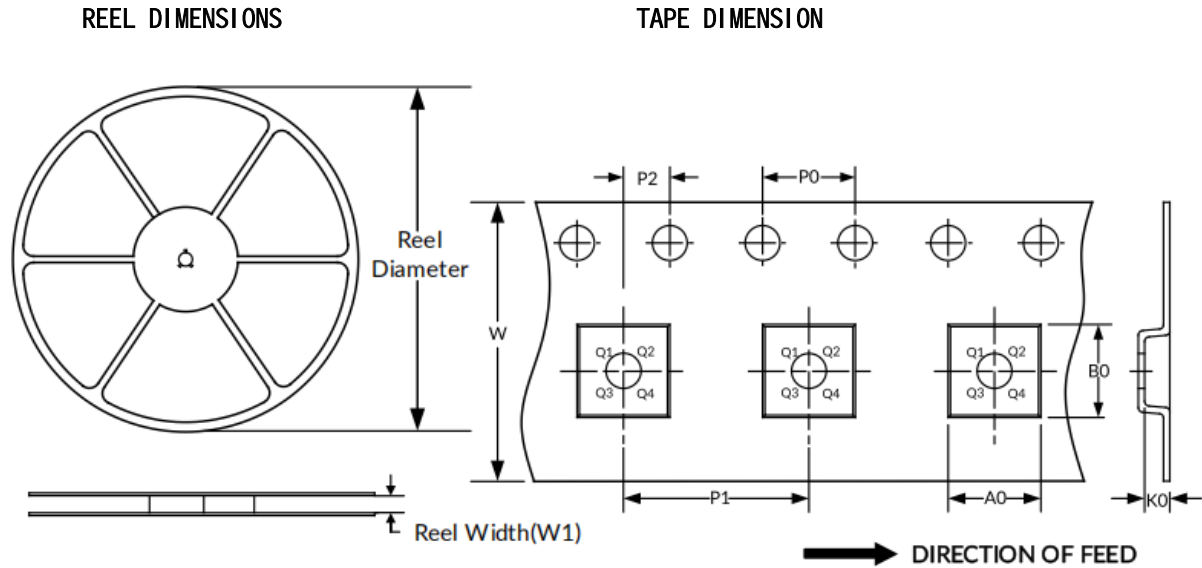
Symbol	Dimensions In Millimeters		Dimensions In Inches	
	Min	Max	Min	Max
A <sup>(1)</sup>	0.900	1.100	0.035	0.043
A1	0.000	0.100	0.000	0.004
A2	0.900	1.000	0.035	0.039
b	0.150	0.350	0.006	0.014
c	0.080	0.150	0.003	0.006
D <sup>(1)</sup>	2.000	2.200	0.079	0.087
E <sup>(1)</sup>	1.150	1.350	0.045	0.053
E1	2.150	2.450	0.085	0.096
e	0.650(BSC) <sup>(2)</sup>		0.026(BSC) <sup>(2)</sup>	
e1	1.300(BSC) <sup>(2)</sup>		0.051(BSC) <sup>(2)</sup>	
L	0.260	0.460	0.010	0.018
L1	0.525		0.021	
	0°	8°	0°	8°

NOTE:

1. Plastic or metal protrusions of 0.15mm maximum per side are not included.
2. BSC (Basic Spacing between Centers), "Basic" spacing is nominal.
3. This drawing is subject to change without notice.



TAPE AND REEL INFORMATION



NOTE: The picture is only for reference. Please make the object as the standard.

KEY PARAMETER LIST OF TAPE AND REEL

Package Type	Reel Diameter	Reel Width(mm)	A0 (mm)	B0 (mm)	K0 (mm)	P0 (mm)	P1 (mm)	P2 (mm)	W (mm)	Pi n1 Quadrant
SC70-6	7''	9.5	2.40	2.50	1.20	4.0	4.0	2.0	8.0	Q3

NOTE:

1. All dimensions are nominal.
2. Plastic or metal protrusions of 0.15mm maximum per side are not included.