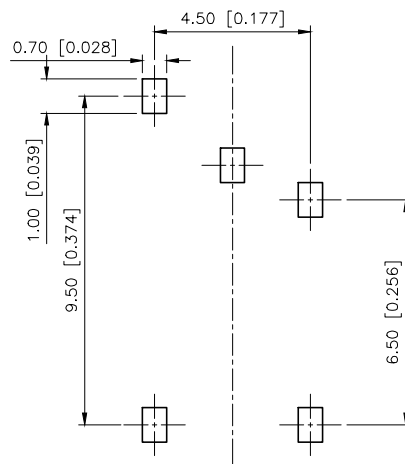
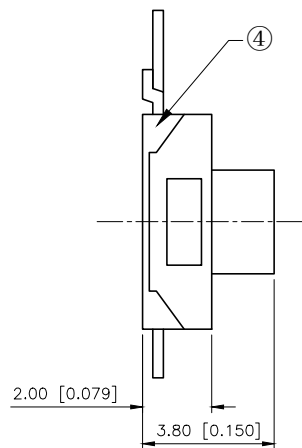
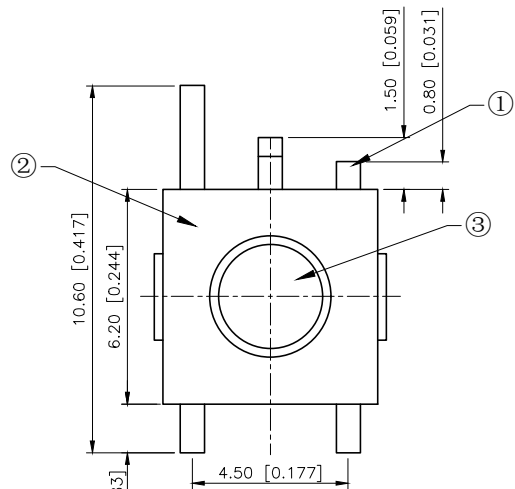
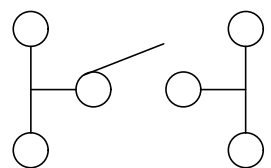
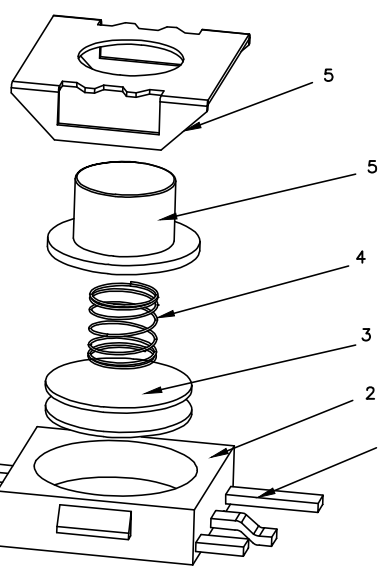
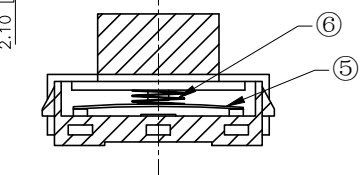


REVISIONS					
REV.	ECN NO.	LOCATION	DESCRIPTION	DATE	DESIGN
A0	N/A		INITIAL RELEASE	/	/
A1	N/A		图面升级整理图面	2025.06.10	阿树



Specifications:  
 Rated Load: DC 12V0.1A  
 Current rating: 50mA AC / DC  
 Contact Resistance:  $\leq 30m\Omega$   
 Insulation Resistance:  $\geq 100M\Omega$   
 Withstanding voltage: AC 250V (50Hz) /minute  
 Temperature range:  $-25^{\circ}C \sim +85^{\circ}C$   
 Action force: 350+50gf  
 Life: 50000~80000cycles



PAPT NO	TS-CB1157-X-X
Operating Force	C:260gf
Height	H:A:3.8

ITEM	PAPT NAMF	QTY	MATERIAL	FINISHING
⑤	Terminal	5	Brass (0.30t)	Plating silvering
④	Contact	1	F.ag/SUS	Natural
③	Base	1	PA66	
②	Cover	1	Brass	Plating Nickel
①	Keystone	1	PA66	

AuGLAR	$\pm 5^{\circ}$
X.	$\pm 0.40$
X.x	$\pm 0.30$
X.xx	$\pm 0.20$
X.xxx	$\pm 0.15$
UNSPECIFIED TOLERANCES	



DESIGN	阿树	VIEW:		MODEL TYPE:	TACT SWITCH
CHECKED		UNIT:	mm/in	PART NO.:	TS-CB1157-X-X
APPROVED		SIZE:	A4	DWG NO.:	