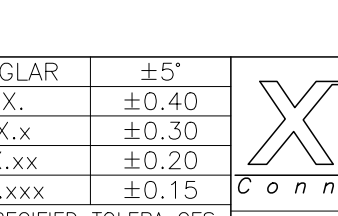
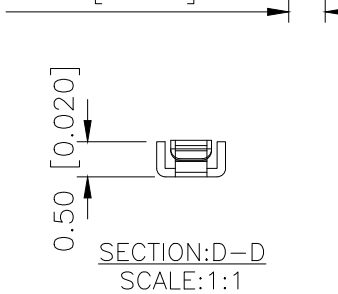
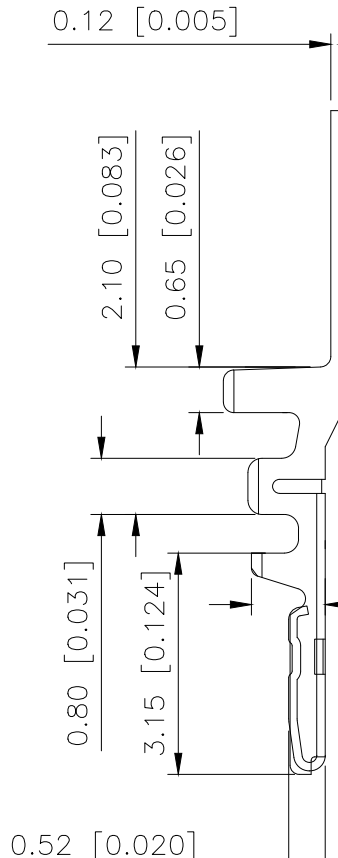
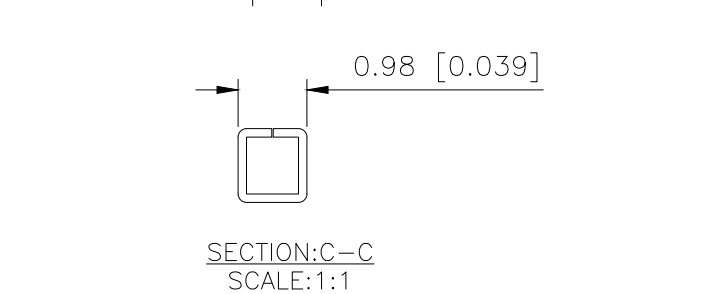
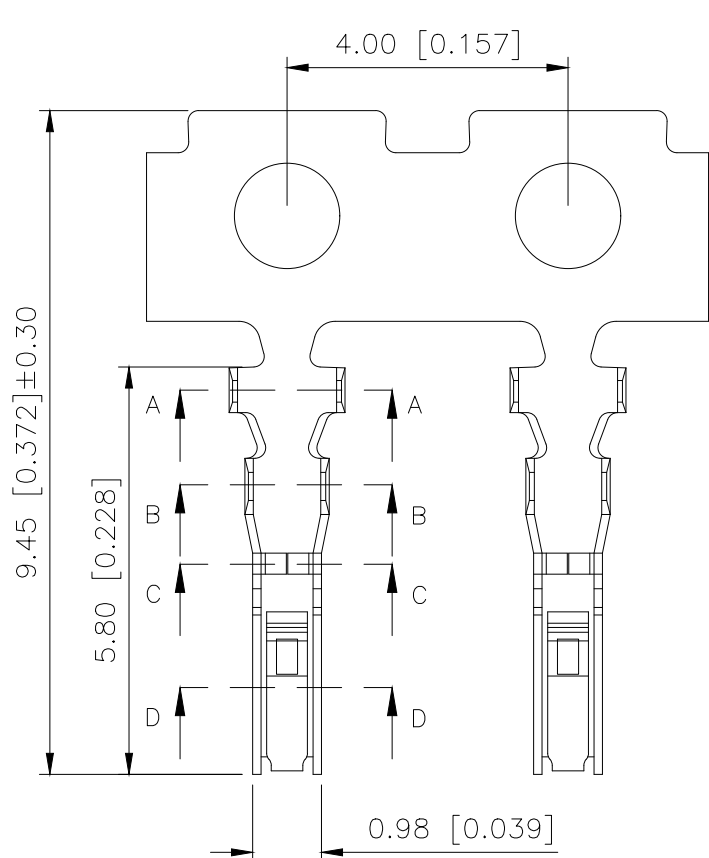


REVISIONS					
REV.	ECN NO.	LOCATION	DESCRIPTION	DATE	DESIGN
A0	N/A		INITIAL RELEASE	/	/
A1	N/A		图面升级整理图面	2024.12.19	阿树



Specifications:  
 规格:  
 Voltage rating:50V AC/DC  
 额定电压: 50V AC/DC  
 Current rating:1A AC/DC  
 额定电流: 1A AC/DC  
 Withstanding voltage:500V AC/minute  
 耐受电压: 500V AC/分钟  
 Temperature range:-40°C~+125°C  
 温度范围: -40°C~+125°C  
 Insulation resistance:100MΩ min  
 绝缘电阻: 100MΩ Min  
 Contact resistance:50mΩ Max  
 接触电阻: 50mΩ Max

PART NO.:  
 X1254 T-P XX A  
 ① ② ③ ④ ⑤

①Series Number.  
 ②Category: T-terminal  
 ③Material:P-Phosphor bronze  
 ④Plating:XX:V01-Gold Plated  
 SN-Tin Plating  
 ⑤Type: A Type

X1254T-PXX-A	Phosph	AWG#32~26	X1254H
PART NO	Material	Wire Range	Suitable XKB Housing

AuGLAR	±5°
X.	±0.40
X.x	±0.30
X.xx	±0.20
X.xxx	±0.15
UNSPECIFIED TOLERANCES	



DESIGN	阿树	VIEW:	MODEL TYPE: 1.25mm Crimp Style Connector
CHECKED		UNIT: mm/in	PART NO.: X1254T-PXX-A
APPROVED		SIZE: A4	DWG NO.: