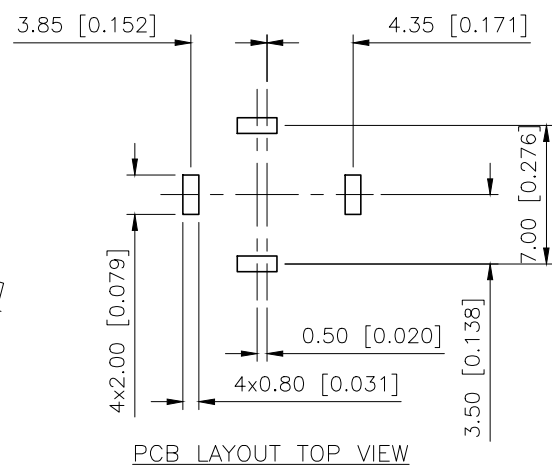
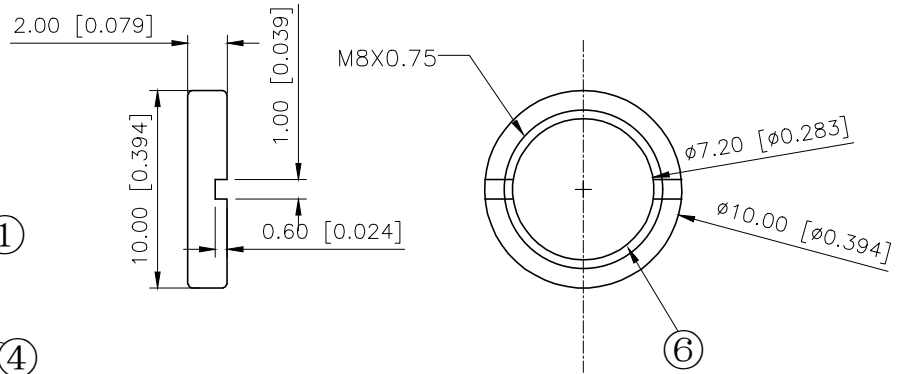
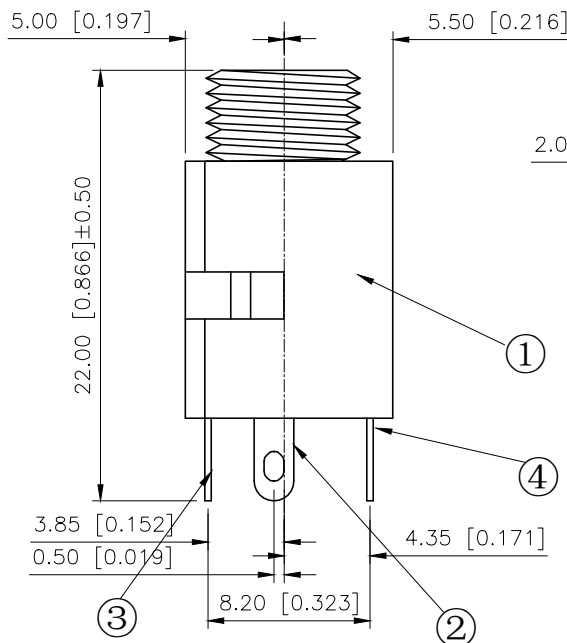
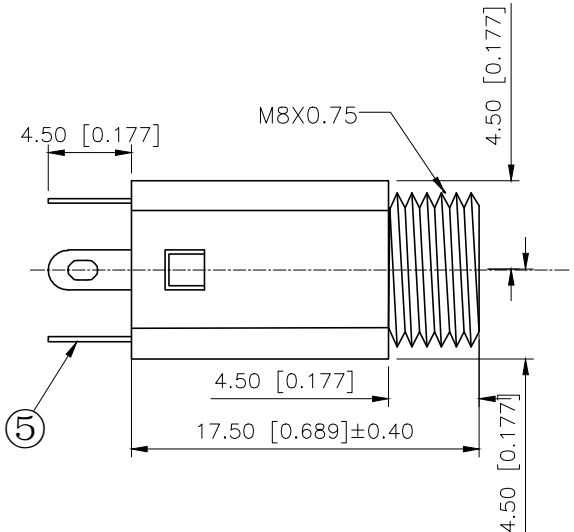
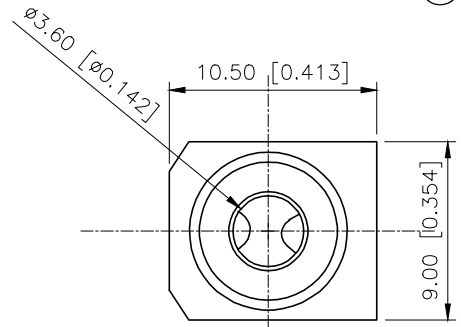
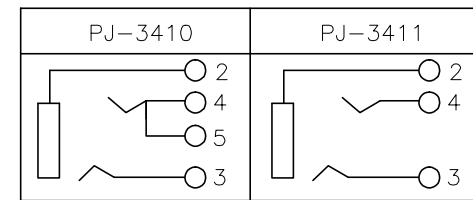


REVISIONS					
REV.	ECN NO.	LOCATION	DESCRIPTION	DATE	DESIGN
A0	N/A		INITIAL RELEASE	/	/
A1	N/A		参照实物修正图纸, 图面升级整理图面	2024.9.11	阿树



PCB LAYOUT TOP VIEW

SCHEMATIC



SPECIFICATIONS:
 Rating: 12V DC 1A
 Contact resistance: ≤30mΩ
 Insulation resistance: ≥50MΩ DC100V
 Withstanding voltage: AC 500V
 R.M.A.FOR 1MINUTE
 Plugging force: 3~20N
 Life test: 5000 CYCLES

NO	PRART NAME	QTY	MATERIAL	SPECIFICATIONS
5	5# Terminal	1	Brass	T=0.30
4	4# Terminal	1	Phosphor Bronze	T=0.30
3	3# Terminal	1	Phosphor Bronze	T=0.30
2	2# Terminal	1	Phosphor Bronze	T=0.25
1	Housing	1	PBT	Black

AuGLAR	±5°
X.	±0.40
X.x	±0.30
X.xx	±0.20
X.xxx	±0.15
UNSPECIFIED TOLERAUCES	



DESIGN	阿树	VIEW:	MODEL TYPE: 3.5 PHONE JACK
CHECKED		UNIT: mm/in	PART NO.: PJ-341X
APPROVED		SIZE: A4	DWG NO.: