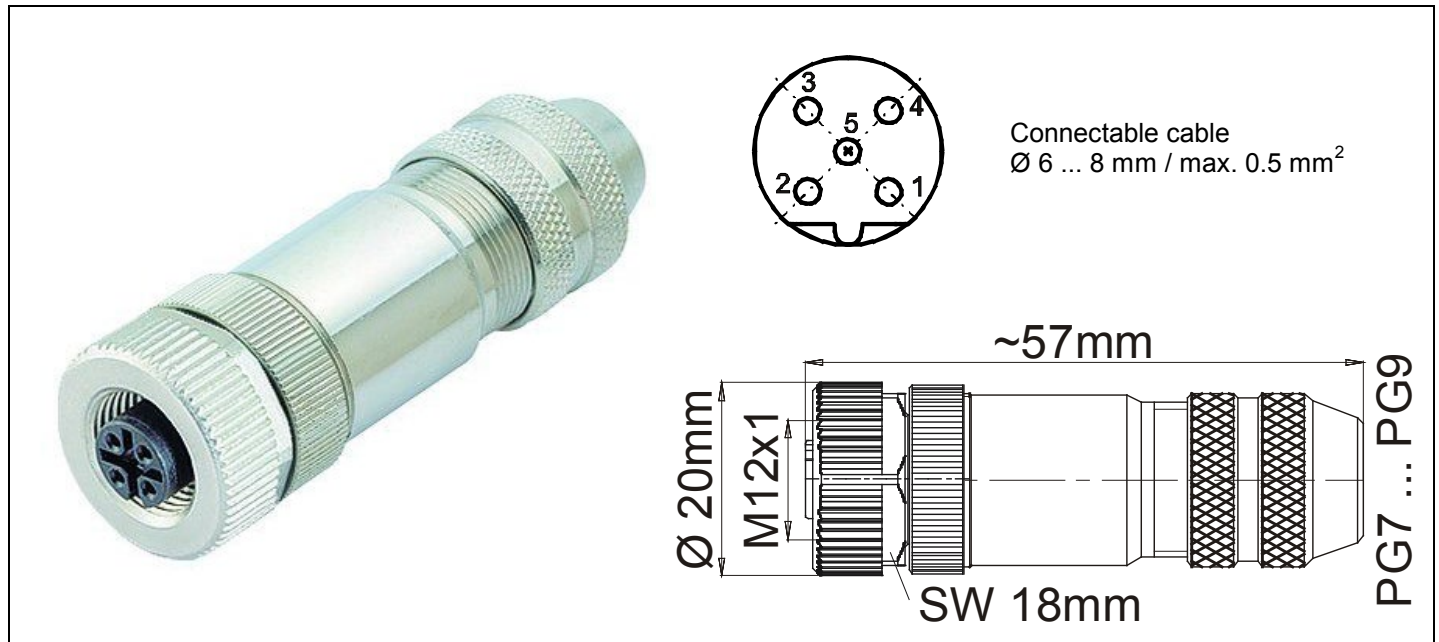


M12 PROFIBUS socket, straight

1/1

Data Sheet


Description	Item no.	Pack. unit pcs
M12 socket, B-coded, straight, 5-poles, shielded, spring clamp technology	756-9402/060-000	1

Mounting	Technical data																																												
<p>Opening tool for CAGE CLAMP[®] connection</p>	<p>General</p> <table border="1"> <tr><td>Housing material</td><td>Zinc die casting</td></tr> <tr><td>Housing surface</td><td>Nickel plated</td></tr> <tr><td>Contact material</td><td>brass (CuZn)</td></tr> <tr><td>Insert material</td><td>PA</td></tr> <tr><td>Contact plating</td><td>Gold (Au)</td></tr> <tr><td>Type of connection</td><td>Spring clamp</td></tr> <tr><td>Seal</td><td>Neoprene</td></tr> <tr><td>O-Ring</td><td>Viton</td></tr> <tr><td>Temperature range</td><td>-40 °C ... +85 °C</td></tr> <tr><td>Cable entry</td><td>\varnothing 6-8 mm</td></tr> <tr><td>Kind of locking</td><td>Screw locking M12</td></tr> <tr><td>Mating cycles</td><td>100</td></tr> <tr><td>Class of protection</td><td>IP67 in locked position</td></tr> </table> <p>Electrical data:</p> <table border="1"> <tr><td>Pole number</td><td>5</td></tr> <tr><td>Conductor size</td><td>max. 0.5 mm² (AWG 20)</td></tr> <tr><td>Rated current</td><td>4 A (40 °C)</td></tr> <tr><td>Rated voltage</td><td>125 V</td></tr> <tr><td>Test voltage</td><td>1.5 kV AC</td></tr> <tr><td>Overvoltage category</td><td>II</td></tr> <tr><td>Material group</td><td>III</td></tr> <tr><td>Transition resistance</td><td>\leq3 mΩ</td></tr> <tr><td>Pollution degree</td><td>3</td></tr> </table>	Housing material	Zinc die casting	Housing surface	Nickel plated	Contact material	brass (CuZn)	Insert material	PA	Contact plating	Gold (Au)	Type of connection	Spring clamp	Seal	Neoprene	O-Ring	Viton	Temperature range	-40 °C ... +85 °C	Cable entry	\varnothing 6-8 mm	Kind of locking	Screw locking M12	Mating cycles	100	Class of protection	IP67 in locked position	Pole number	5	Conductor size	max. 0.5 mm ² (AWG 20)	Rated current	4 A (40 °C)	Rated voltage	125 V	Test voltage	1.5 kV AC	Overvoltage category	II	Material group	III	Transition resistance	\leq 3 m Ω	Pollution degree	3
	Housing material	Zinc die casting																																											
Housing surface	Nickel plated																																												
Contact material	brass (CuZn)																																												
Insert material	PA																																												
Contact plating	Gold (Au)																																												
Type of connection	Spring clamp																																												
Seal	Neoprene																																												
O-Ring	Viton																																												
Temperature range	-40 °C ... +85 °C																																												
Cable entry	\varnothing 6-8 mm																																												
Kind of locking	Screw locking M12																																												
Mating cycles	100																																												
Class of protection	IP67 in locked position																																												
Pole number	5																																												
Conductor size	max. 0.5 mm ² (AWG 20)																																												
Rated current	4 A (40 °C)																																												
Rated voltage	125 V																																												
Test voltage	1.5 kV AC																																												
Overvoltage category	II																																												
Material group	III																																												
Transition resistance	\leq 3 m Ω																																												
Pollution degree	3																																												