

Current transformer 20...200 A for 3RB22/23/24 Size S6 Contactor mounting/stand-alone installation Main circuit: straight-through transformer Auxiliary circuit: --



product brand name	SIRIUS	
product designation	Current measuring module	
General technical data		
type of protection according to ATEX directive 2014/34/EU	Ex II (2) GD	
certificate of suitability according to ATEX directive 2014/34/EU	PTB 05 ATEX 3022	
Substance Prohibition (Date)	01.07.2006 00:00:00	
Main circuit		
adjustable current response value current of the current-dependent overload release	20 ... 200 A	
Installation/ mounting/ dimensions		
fastening method	Contactor mounting/stand-alone installation	
Connections/ Terminals		
type of electrical connection	straight-through transformers	
• for main current circuit		
Safety related data		
protection class IP on the front acc. to IEC 60529	IP20	
touch protection on the front acc. to IEC 60529	finger-safe, for vertical contact from the front	
Certificates/ approvals		
General Product Approval	For use in hazardous locations	Declaration of Conformity



[Miscellaneous](#)

Declaration of Conformity	Test Certificates	Marine / Shipping
---------------------------	-------------------	-------------------



[Special Test Certificate](#)

[Type Test Certificates/Test Report](#)



[Confirmation](#)

Further information

Information- and Downloadcenter (Catalogs, Brochures,...)

<https://www.siemens.com/ic10>

Industry Mall (Online ordering system)

<https://mall.industry.siemens.com/mall/en/en/Catalog/product?mlfb=3RB2956-2TG2>

Cax online generator

<http://support.automation.siemens.com/WW/CAXorder/default.aspx?lang=en&mlfb=3RB2956-2TG2>

Service&Support (Manuals, Certificates, Characteristics, FAQs,...)

<https://support.industry.siemens.com/cs/ww/en/ps/3RB2956-2TG2>

Image database (product images, 2D dimension drawings, 3D models, device circuit diagrams, EPLAN macros, ...)

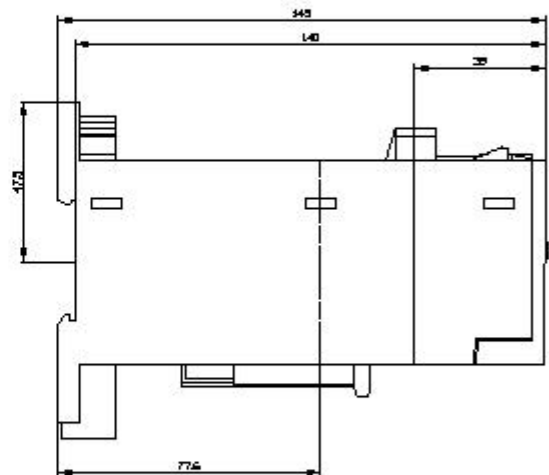
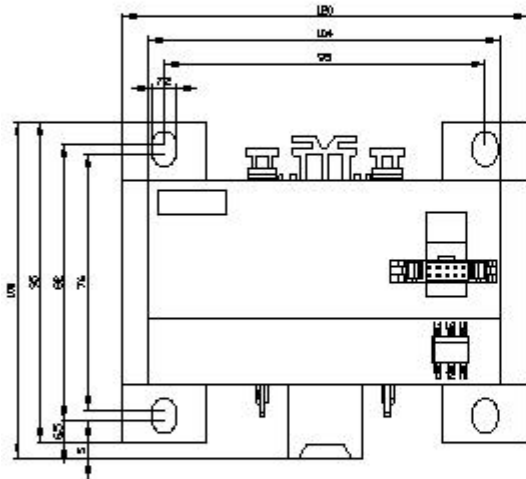
http://www.automation.siemens.com/bilddb/cax_de.aspx?mlfb=3RB2956-2TG2&lang=en

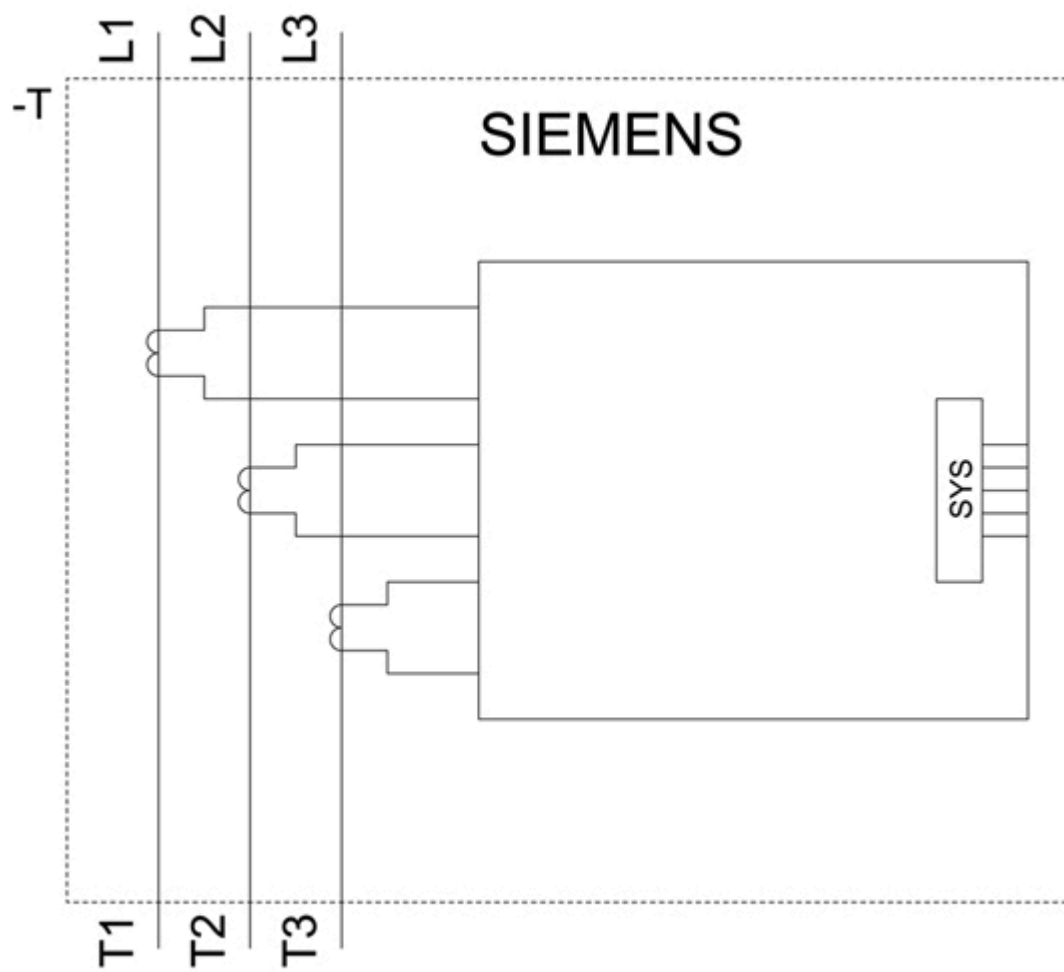
Characteristic: Tripping characteristics, I²t, Let-through current

<https://support.industry.siemens.com/cs/ww/en/ps/3RB2956-2TG2/char>

Further characteristics (e.g. electrical endurance, switching frequency)

<http://www.automation.siemens.com/bilddb/index.aspx?view=Search&mlfb=3RB2956-2TG2&objecttype=14&gridview=view1>





last modified:

12/15/2020 