

Hybrid motor starter - ELR W3- 24DC/500AC- 9I-BR - 2900795

Please be informed that the data shown in this PDF Document is generated from our Online Catalog. Please find the complete data in the user's documentation. Our General Terms of Use for Downloads are valid (<http://phoenixcontact.com/download>)




Hybrid motor starter for reversing 3~ AC motors up to 550 V AC, with 24 V DC input, 9 A output current, adjustable overload shutdown, and limited phase failure detection

Your advantages

- ✓ 22.5 mm wide
- ✓ Reduction in wiring
- ✓ Long service life
- ✓ Space saving
- ✓ 3-phase loop bridges
- ✓ Adjustable current for bimetal function
- ✓ Low-wear switching

Key Commercial Data

Packing unit	1 pc
GTIN	 4 046356 550826
GTIN	4046356550826

Technical data

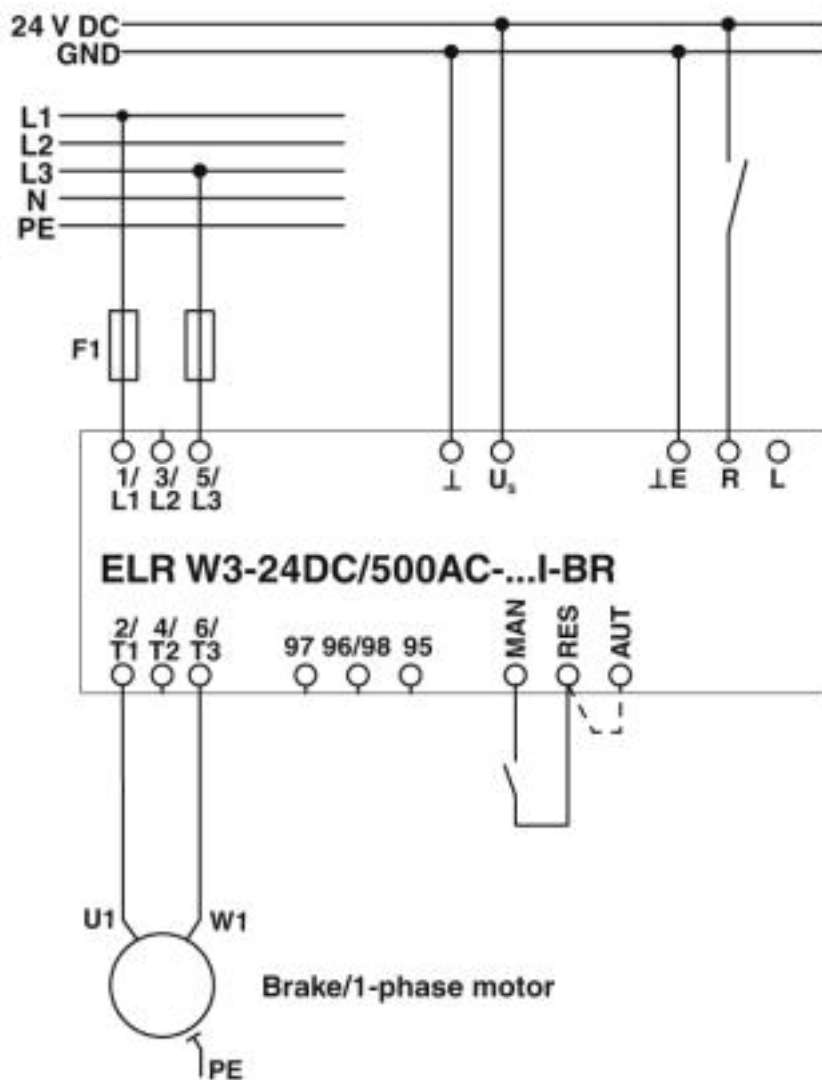
Environmental Product Compliance

REACH SVHC	Lead 7439-92-1
China RoHS	Environmentally Friendly Use Period = 50
	For details about hazardous substances go to tab "Downloads", Category "Manufacturer's declaration"

Drawings

Hybrid motor starter - ELR W3- 24DC/500AC- 9I-BR - 2900795

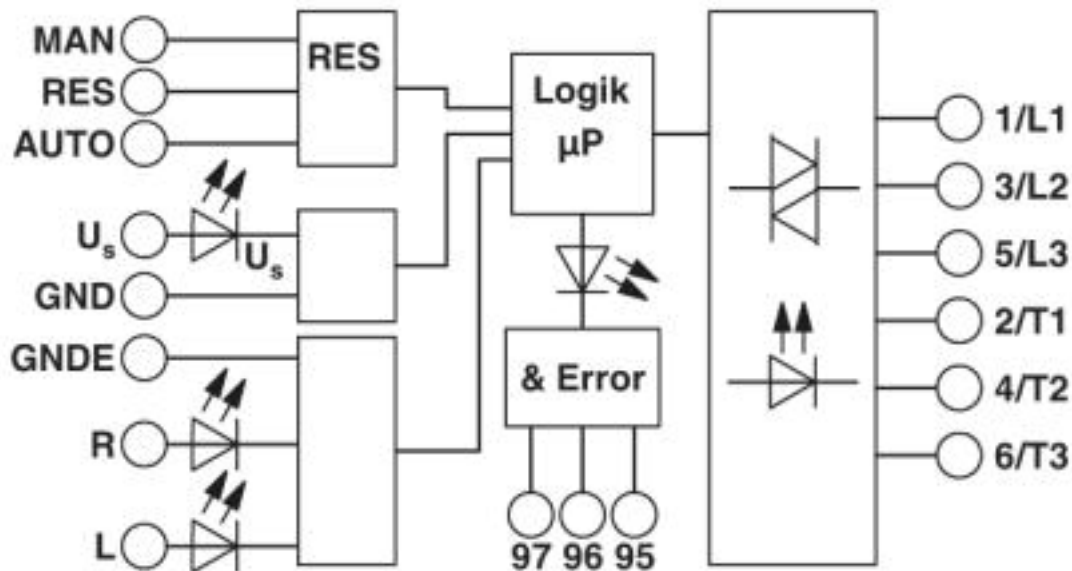
Circuit diagram



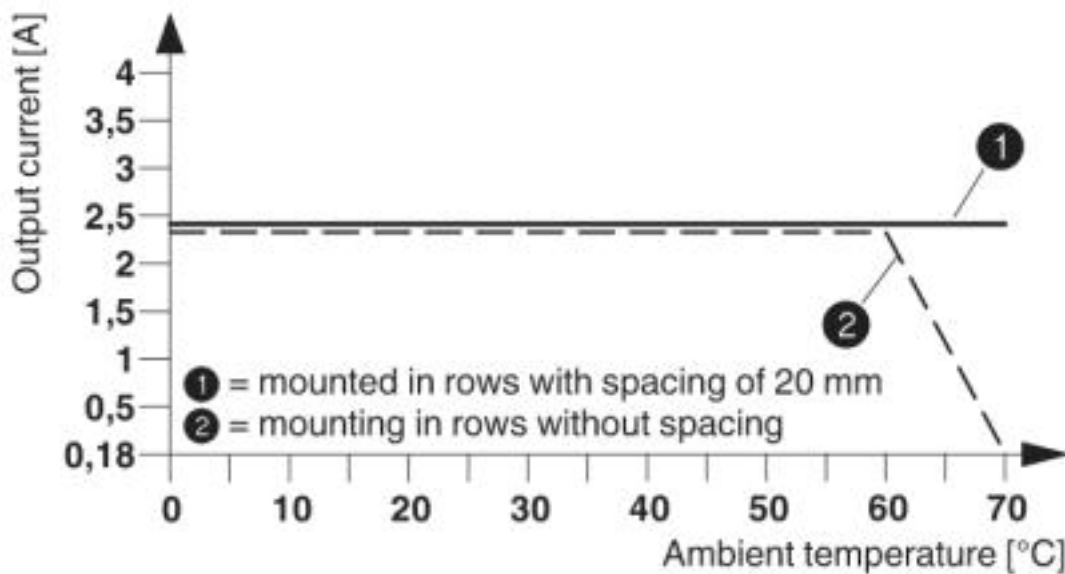
Example circuit for the connection of a brake or a 1-phase motor (L1 + L3)

Hybrid motor starter - ELR W3- 24DC/500AC- 9I-BR - 2900795

Block diagram



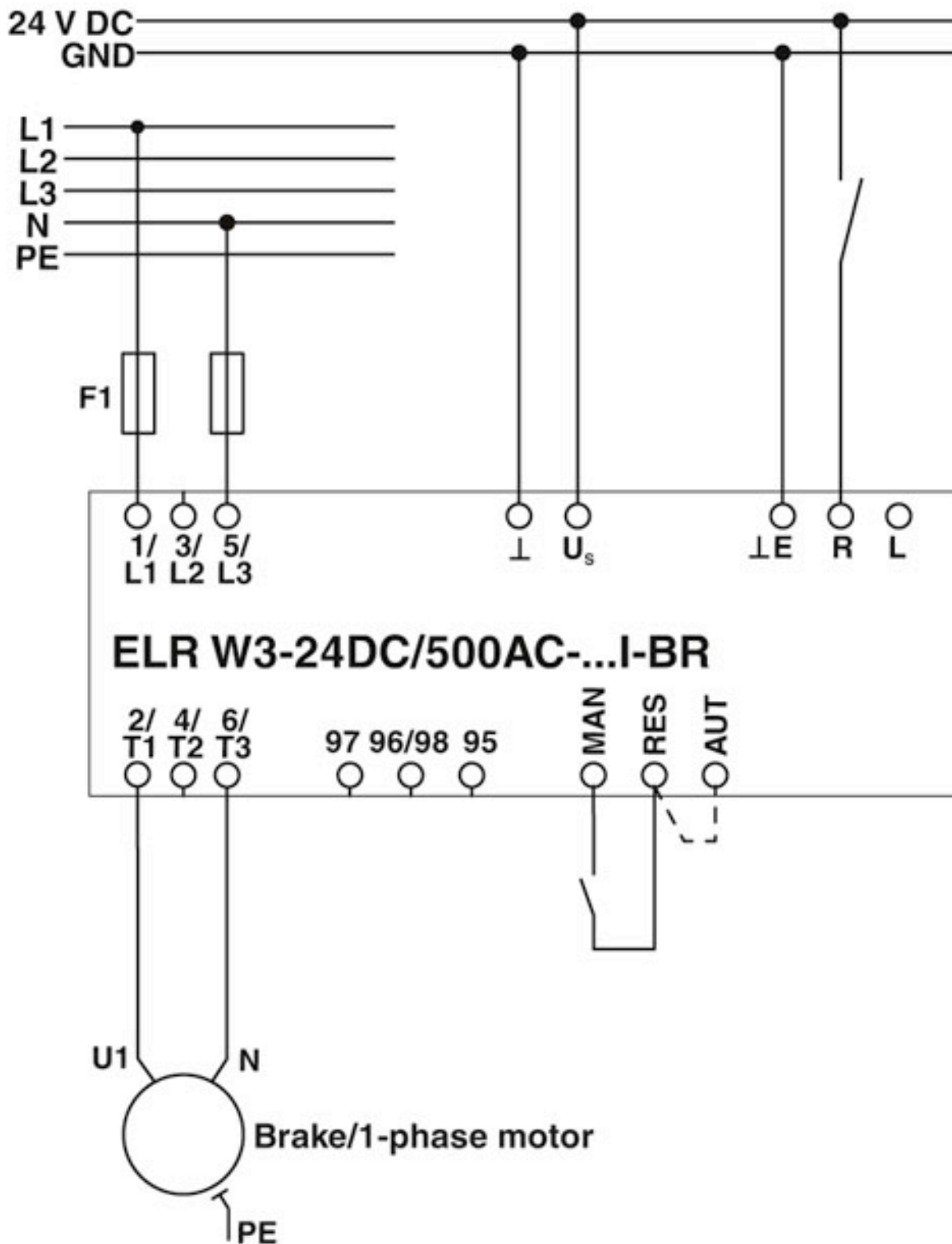
Diagram



Derating diagram

Hybrid motor starter - ELR W3- 24DC/500AC- 9I-BR - 2900795

Circuit diagram



Hybrid motor starter - ELR W3- 24DC/500AC- 9I-BR - 2900795

Approvals

Approvals


Approvals

CCC / EAC

Ex Approvals

Approval details

CCC		2016010304871315
-----	---	------------------

EAC		RU C- DE.A*30.B.01082
-----	--	--------------------------

Phoenix Contact 2019 © - all rights reserved
<http://www.phoenixcontact.com>

PHOENIX CONTACT GmbH & Co. KG
Flachsmarktstr. 8
32825 Blomberg
Germany
Tel. +49 5235 300
Fax +49 5235 3 41200
<http://www.phoenixcontact.com>