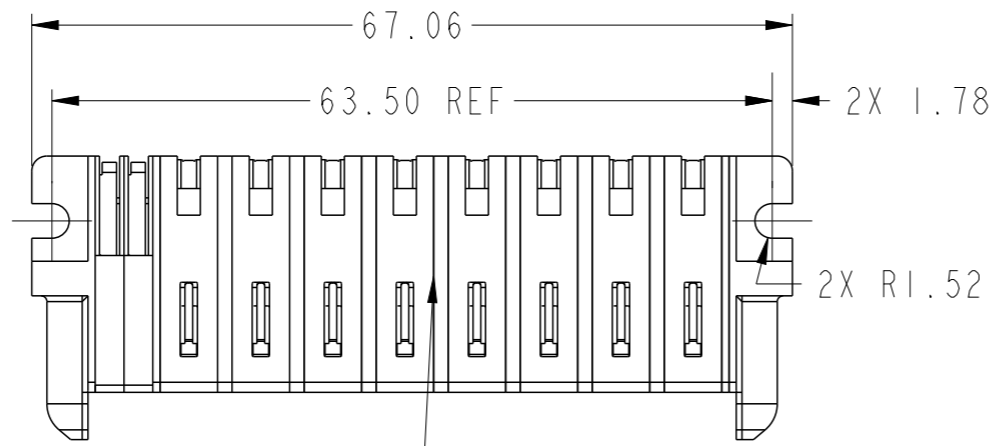
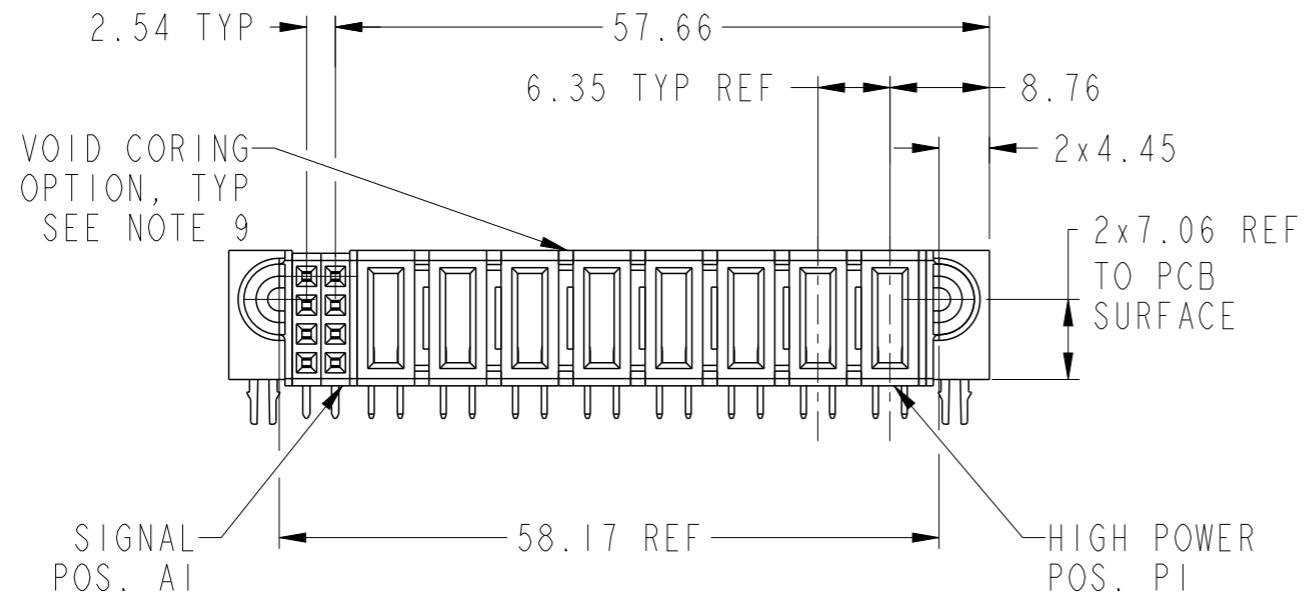


PRODUCT NUMBER SEE SHEET 2



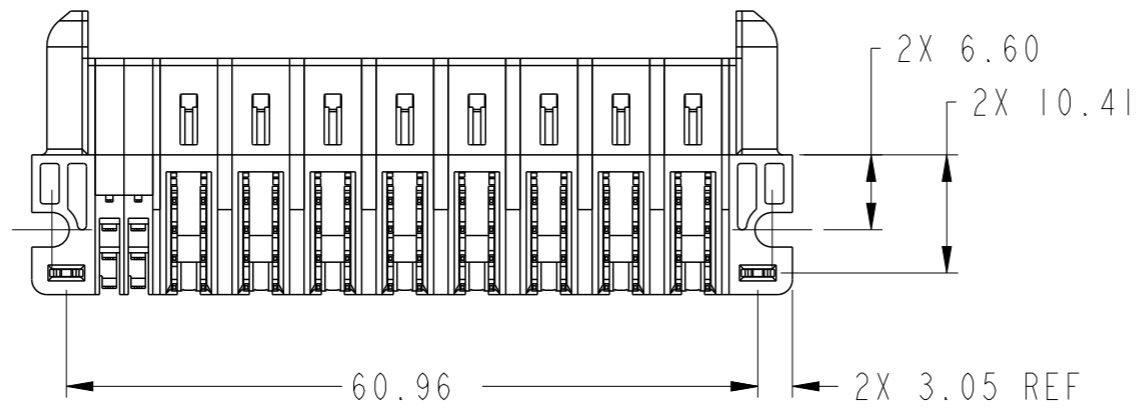
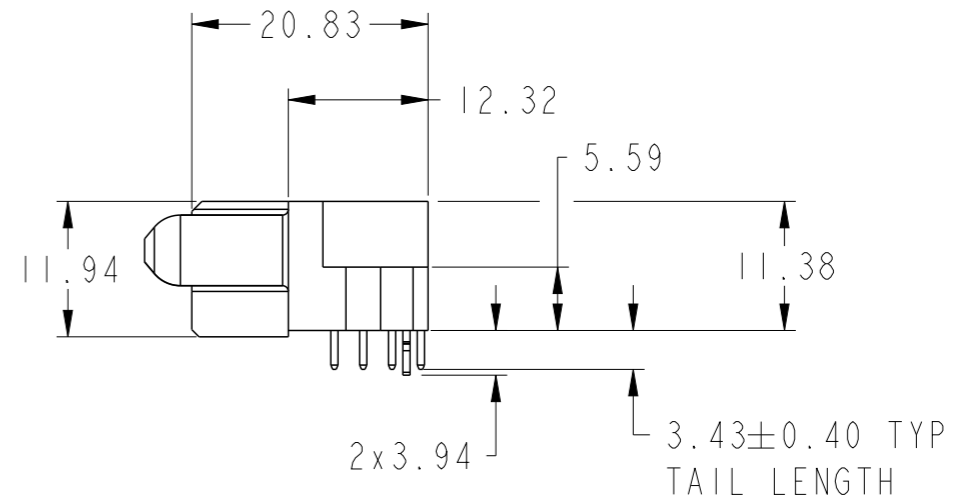
NOTE 1



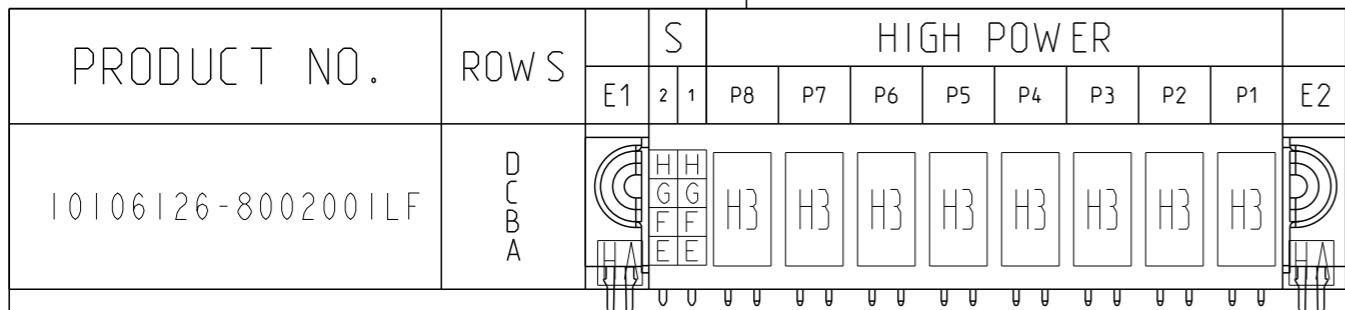
VOID CORING OPTION, TYP SEE NOTE 9

SIGNAL POS. AI

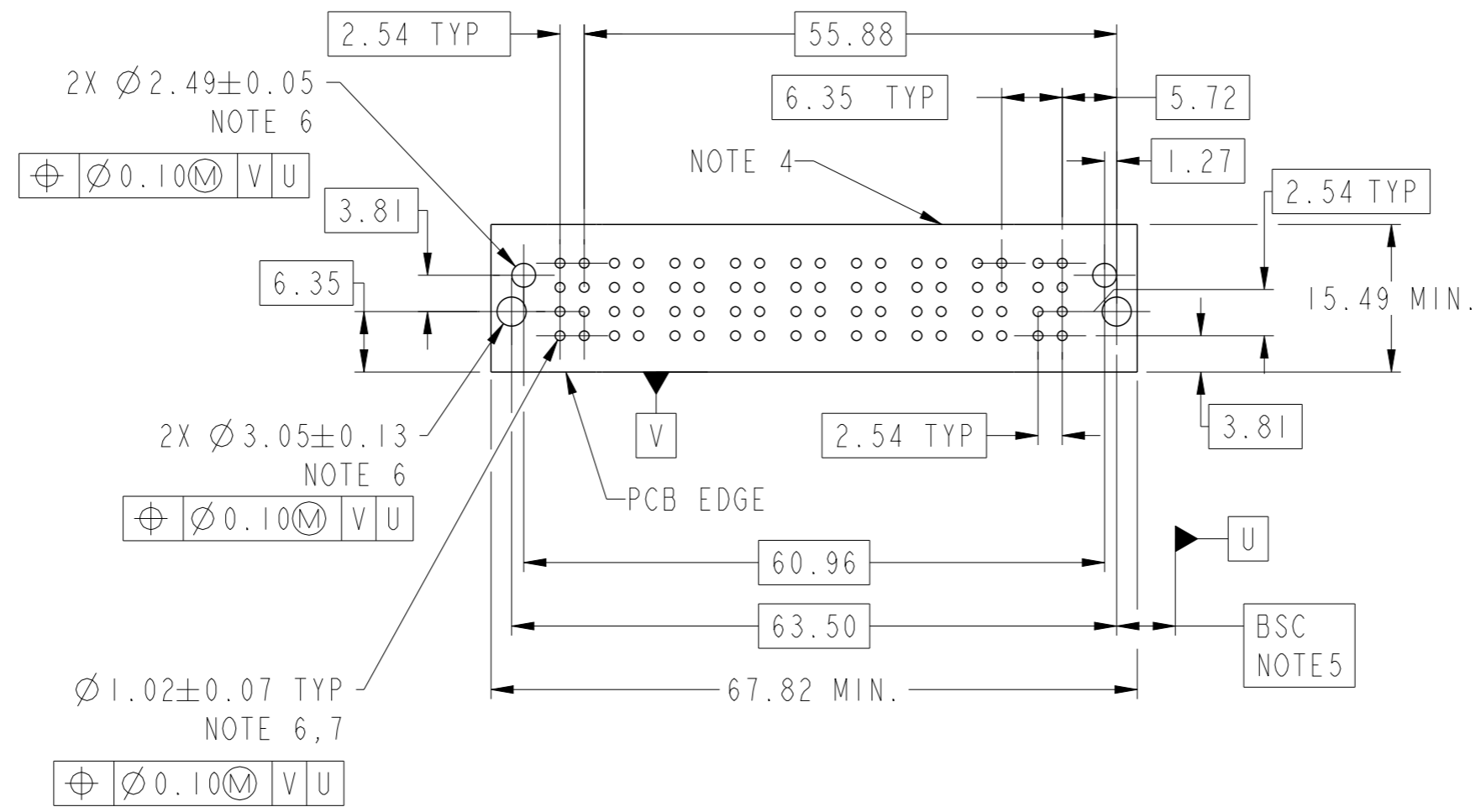
HIGH POWER POS. PI



| | | | | | | | | | | | | | | | | | | | | | | | | |
|---------------------------------------|---|-------------|--------------|------------------------|--------------|------|--------|----|-----------|----------|----------------|-----------|-----|------|----------------|------------|--|-------|-------------------------------|---|--------|------------------|-----|---|
| spec ref | * | dr | Zhen-Hua Liu | 2015/07/09 | projection | MM | size | A3 | scale | 3:2 | | | | | | | | | | | | | | |
| tolerance std | ASME Y14.5 | eng | Zhen-Hua Liu | 2015/07/17 | | | ecn no | - | rel level | Released | | | | | | | | | | | | | | |
| TOLERANCES UNLESS OTHERWISE SPECIFIED | | chr | Fancy Zhang | 2015/07/16 | | | | | | | product family | PwrBlade+ | | | | | | | | | | | | |
| surface | <table border="1"> <tr> <td>linear</td> <td>0.X</td> <td>±0.5</td> </tr> <tr> <td></td> <td>0.XX</td> <td>±0.25</td> </tr> <tr> <td></td> <td>0.XXX</td> <td>±0.10</td> </tr> <tr> <td>angular</td> <td>0°</td> <td>±2°</td> </tr> </table> | linear | 0.X | ±0.5 | | 0.XX | ±0.25 | | 0.XXX | ±0.10 | angular | 0° | ±2° | appr | Pei-Ming Zheng | 2015/07/16 | | title | 8HP + 8S RA STB RECEPTACLE | <table border="1"> <tr> <td>dwg no</td> <td>10106126-8002001</td> </tr> <tr> <td>rev</td> <td>A</td> </tr> </table> | dwg no | 10106126-8002001 | rev | A |
| linear | 0.X | ±0.5 | | | | | | | | | | | | | | | | | | | | | | |
| | 0.XX | ±0.25 | | | | | | | | | | | | | | | | | | | | | | |
| | 0.XXX | ±0.10 | | | | | | | | | | | | | | | | | | | | | | |
| angular | 0° | ±2° | | | | | | | | | | | | | | | | | | | | | | |
| dwg no | 10106126-8002001 | | | | | | | | | | | | | | | | | | | | | | | |
| rev | A | | | | | | | | | | | | | | | | | | | | | | | |
| ASME Y14.5 | | www.fci.com | cat. no. | Product - Customer Drw | sheet 1 of 3 | | | | | | | | | | | | | | | | | | | |



| CODE | DESCRIPTION |
|------|------------------------------|
| E | STD SIGNAL CONTACT, ROW A |
| F | STD SIGNAL CONTACT, ROW B |
| G | STD SIGNAL CONTACT, ROW C |
| H | STD SIGNAL CONTACT, ROW D |
| H3 | STD HIGH POWER CONTACT(3.43) |
| HA | METAL HOLD DOWN |



Copyright FCI.

| | | | | | | | | | | | |
|-------------|----------------|------------|----------------|-----------|------------------------|----|-----------|--------------|------------------|-----|---|
| dr | Zhen-Hua Liu | 2015/07/09 | projection | MM | size | A3 | scale | 3:2 | | | |
| eng | Zhen-Hua Liu | 2015/07/17 | | | ecn no | - | rel level | Released | | | |
| chr | Fancy Zhang | 2015/07/16 | | | | | | | | | |
| appr | Pei-Ming Zheng | 2015/07/16 | product family | PwrBlade+ | | | | | | | |
| | | | title | | 8HP + 8S | | dwg no | | 10106126-8002001 | rev | A |
| www.fci.com | | | cat. no. | | Product - Customer Drw | | | sheet 2 of 3 | | | |

NOTES:

- 1) "FCI", PART NUMBER AND DATE CODE TO BE MARKED ON THIS SURFACE.
THE MARK CAN BE OMITTED IF THERE IS NOT ENOUGH SPACE ON THIS SURFACE.
- 2) MATERIALS:
-HOUSING - GLASS FILLED WITH HIGH TEMP THERMOPLASTIC, UL94V-0.
-SIGNAL CONTACT - COPPER ALLOY.
-POWER CONTACT - HIGH CONDUCTIVITY COPPER ALLOY.
- 3) PLATING SPECIFICATION :10116351
- 4) DENOTES CONNECTOR KEEP OUT ZONE.
- 5) DATUM AND BASIC DIMENIONS WERE ESTABLISHED BY CUSTOMER.
- 6) ALL HOLE DIAMETERS ARE FINISHED HOLE SIZES.
- 7) 1.15 ± 0.025 MM DRILLED HOLE PLATED WITH 0.00762MM MIN Sn
OVER 0.0254-0.0762MM Cu PLATING TO ACHIEVE A 1.02 ± 0.07 MM HOLE.
- 8) PRODUCT SPECIFICATION : GS-12-658.
APPLICATION SPECIFICATION : GS-20-141.
PRODUCT PACKAGE SPECIFICATION : GS-14-1502.
- 9) THE VOID CORING IN BETWEEN POWER MODULES, SIGNAL
MODULES AND END MODULES ARE OPTIONAL AND THE SHAPE
MAY BE DIFFERENT FOR OPTIMIZE THE MOLDING PROCESS. THE
VOID CORING WILL NOT EFFECT TO PRODUCT FUNCTION.



Copyright FCI.

| | | | | | | | | |
|-------------|----------------|-------------------------------------|------------------------|--------|-------------------------|--------------|-----------|----------|
| dr | Zhen-Hua Liu | 2015/07/09 | projection | MM | size | A3 | scale | 3:2 |
| eng | Zhen-Hua Liu | 2015/07/17 | | | ecn no | - | | |
| chr | Fancy Zhang | 2015/07/16 | | | product family | PwrBlade+ | rel level | Released |
| appr | Pei-Ming Zheng | 2015/07/16 | | | | | | |
| | | title 8HP + 8S RA STB RECEPTACLE | | | dwg no 10106126-8002001 | rev A | | |
| www.fci.com | | cat. no. | Product - Customer Drw | | | sheet 3 of 3 | | |

Mouser Electronics

Authorized Distributor

Click to View Pricing, Inventory, Delivery & Lifecycle Information:

[FCI / Amphenol:](#)

[10106126-8002001LF](#)