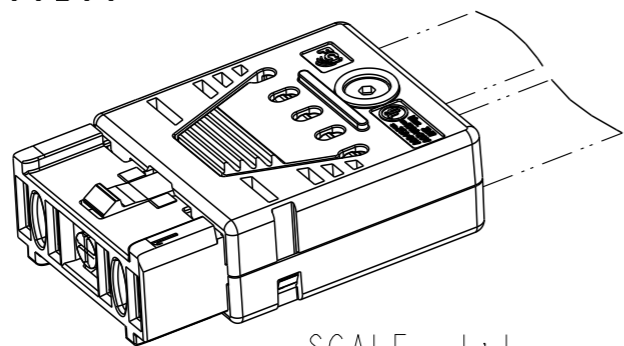
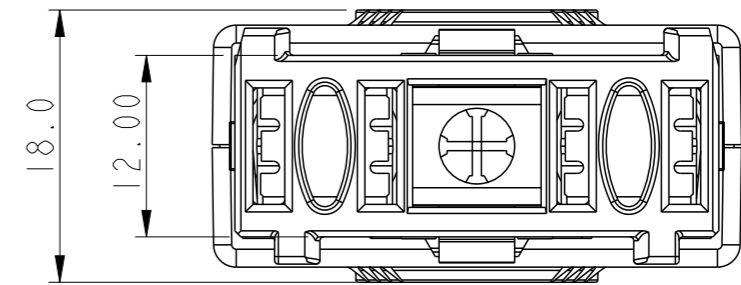


NOTES:

- MATERIALS:
 - UPPER / LOWER COVER - HIGH TEMPERATURE NYLON;
 - TERMINAL HOUSING - HIGH TEMPERATURE NYLON;
 - STRAIN RELIEF - NYLON;
 - LOCKING SPRING - HIGH TEMPERATURE NYLON;
 - CODING KEY - HIGH TEMPERATURE NYLON - COLOR: RED
 - TERMINAL BARREL - HIGH CONDUCTIVE Cu Alloy;
 - TERMINAL BLADES - HIGH CONDUCTIVE Cu Alloy.

- ALL PLASTICS UL94-V0 RATED.
- THIS PRODUCT MEETS EUROPEAN UNION DIRECTIVES AND OTHER COUNTRY REGULATIONS AS DESCRIBED IN GS-22-008.
- THIS PRODUCT IS NOT INTENDED TO BE EXPOSED TO A MANUFACTURING SOLDER PROCESS

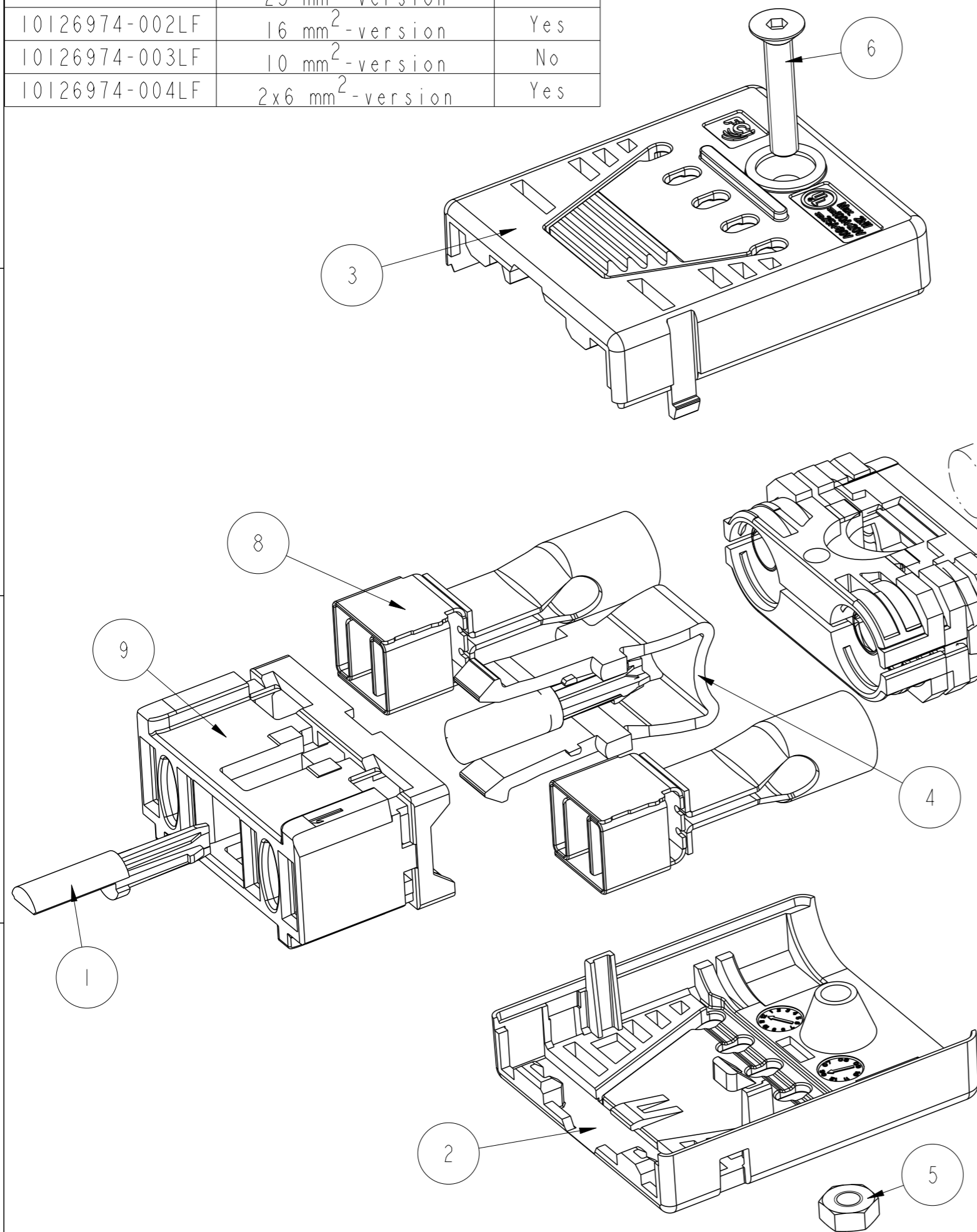


SCALE 1:1

spec ref	*	dr	Jackie Huang	2013/12/03	projection	MM	size	A3	scale	2:1													
tolerance std	TOLERANCES UNLESS OTHERWISE SPECIFIED	eng	Jackie Huang	2014/01/05			ecn no	-	rel level	Released													
surface	<table border="1"> <tr> <td>linear</td> <td>0.X</td> <td>±0.5</td> </tr> <tr> <td></td> <td>0.XX</td> <td>±0.25</td> </tr> <tr> <td></td> <td>0.XXX</td> <td>±0.10</td> </tr> <tr> <td>angular</td> <td>0°</td> <td>±2°</td> </tr> </table>	linear	0.X	±0.5								0.XX	±0.25		0.XXX	±0.10	angular	0°	±2°	chr	-	product family	-
linear	0.X	±0.5																					
	0.XX	±0.25																					
	0.XXX	±0.10																					
angular	0°	±2°																					
		appr	Pei-Ming Zheng	2014/01/05			<table border="1"> <tr> <td>title</td> <td>PWR TWINBLADE I/O</td> <td>dwg no</td> <td>10126974</td> <td>rev</td> <td>A</td> </tr> <tr> <td></td> <td>straight version</td> <td></td> <td></td> <td></td> <td></td> </tr> </table>	title	PWR TWINBLADE I/O	dwg no	10126974	rev	A		straight version					cat. no.	-	Product - Customer Drw	sheet 1 of 4
title	PWR TWINBLADE I/O	dwg no	10126974	rev	A																		
	straight version																						

PRODUCT NUMBER	INSTANCE DESCRIPTION	Tooled
10126974-001LF	25 mm ² -version	Yes
10126974-002LF	16 mm ² -version	Yes
10126974-003LF	10 mm ² -version	No
10126974-004LF	2x6 mm ² -version	Yes

25, 16, 10mm² Versions



9	TERMINAL HOUSING	1
8	TERMINAL ASS'Y(straight)	2
7	STRAINRELIEF	1
6	SCREW, HEX SKT CTRSUNK HD, M3X16	1
5	NUT, HEXAGON THIN, M3	1
4	LOCKING SPRING	1
3	COVER TOP	1
2	COVER BOTTOM (straight)	1
1	CODING KEY	1
INDEX	TITLE 1	QTY

dr	Jackie Huang	2013/12/03	projection	MM	size	A3	scale	2:1
eng	Jackie Huang	2014/01/05			ecn no		-	
chr	-	-			rel level		Released	
appr	Pei-Ming Zheng	2014/01/05	product family		-		Released	
			title PWR TWINBLADE I/O straight version			dwg no 10126974		rev A
www.fci.com			cat. no.		-		Product - Customer Drw	
							sheet 2 of 4	

1

2

3

4

A

B

C

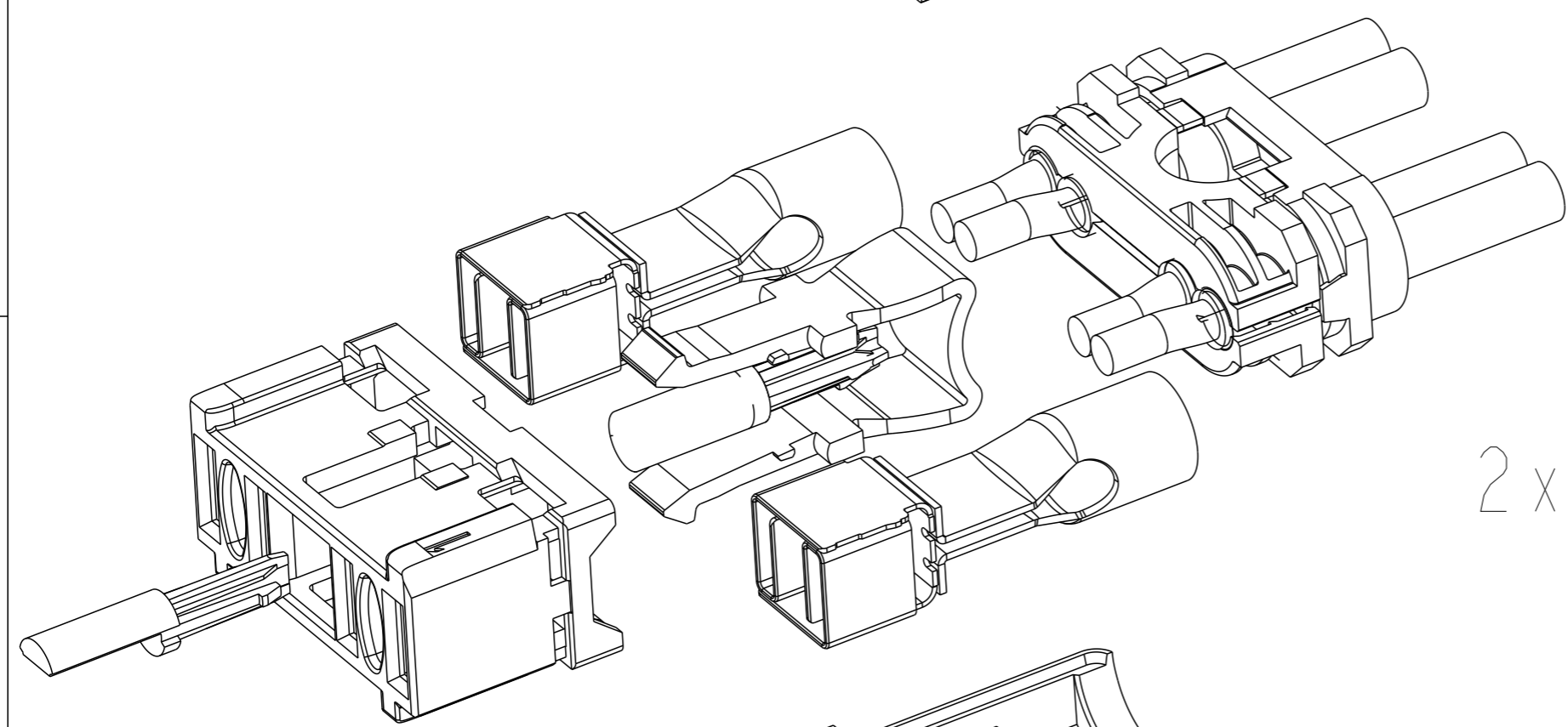
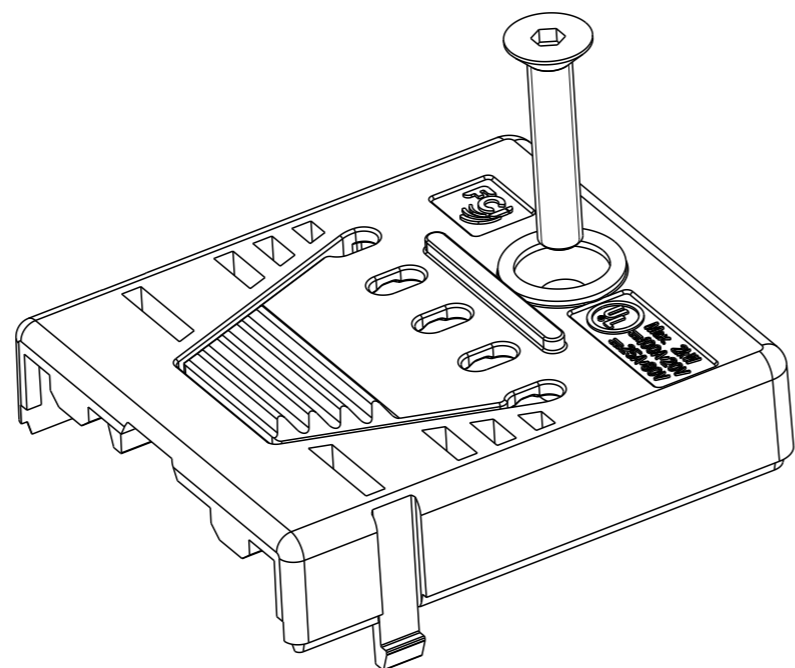
D

A

B

C

D



2x6mm² Versions



Copyright FCI.

dr	Jackie Huang	2013/12/03	projection	MM	size	A3	scale	2:1
eng	Jackie Huang	2014/01/05			ecn no	-		
chr	-	-	product family	-	rel level	Released		
appr	Pei-Ming Zheng	2014/01/05			cat. no.	-	Product - Customer Drw	sheet 3 of 4
www.fci.com		title		PWR TWINBLADE I/O		dwg no	10126974	
				straight version		rev	A	

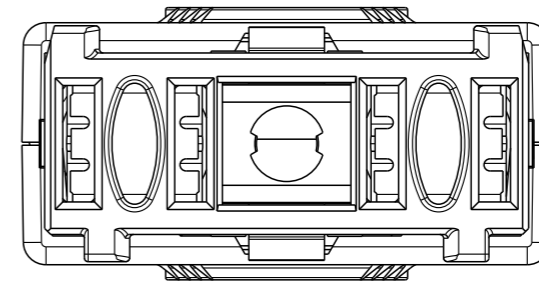
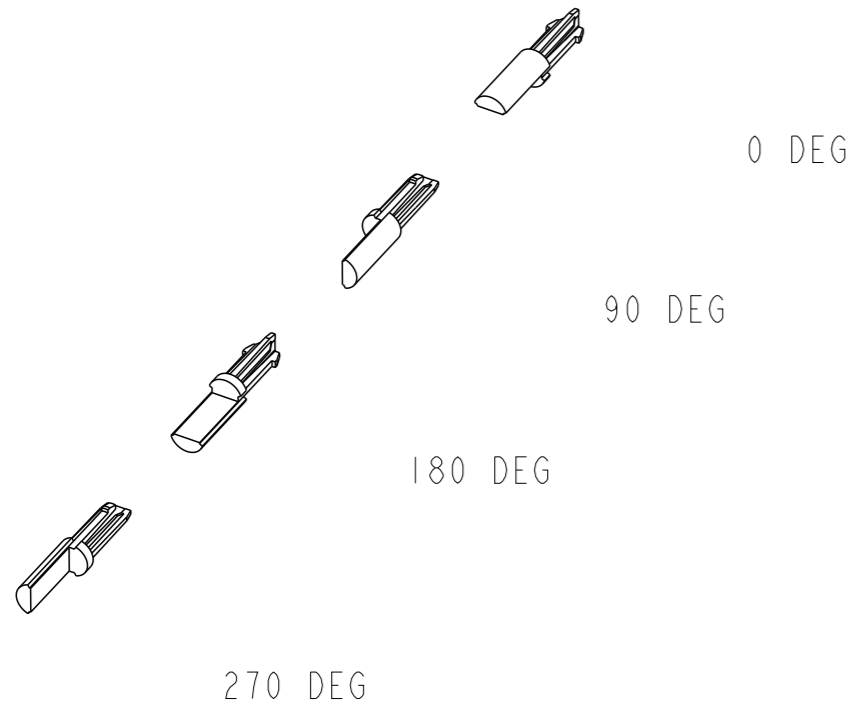
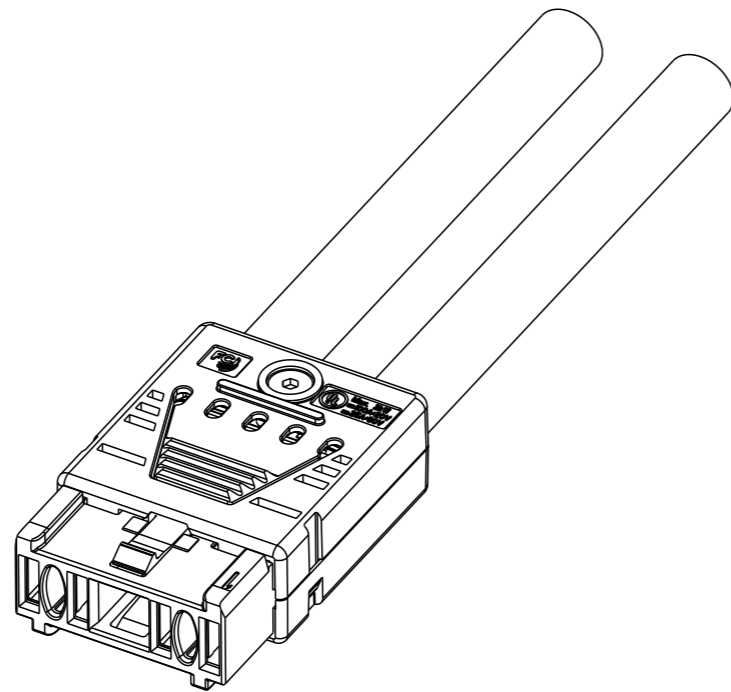
1

2

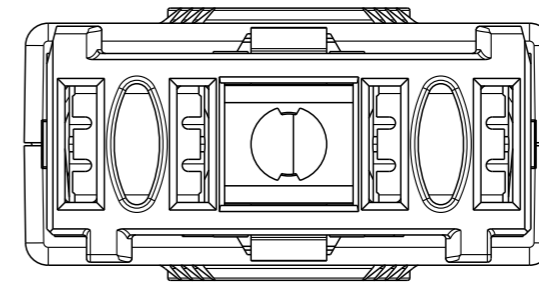
3

4

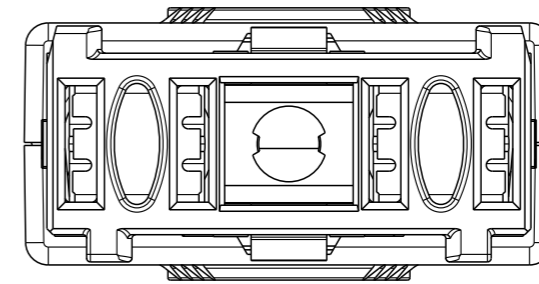
4 POSITION FOR CODING



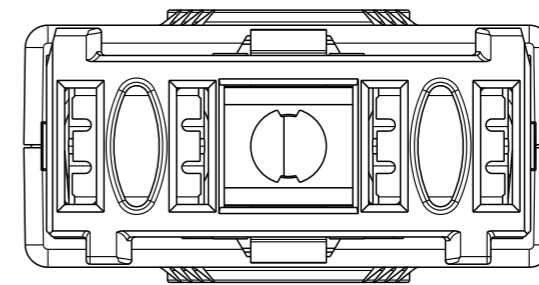
0 DEG



90 DEG



180 DEG



270 DEG



Copyright FCI.

dr	Jackie Huang	2013/12/03	projection 	MM 	size	A3	scale	1:1
eng	Jackie Huang	2014/01/05			ecn no	-		
chr	-	-			rel level	Released		
appr	Pei-Ming Zheng	2014/01/05			product family	-		
		title PWR TWINBLADE I/O straight version			dwg no 10126974	rev A		
www.fci.com		cat. no.	-		Product - Customer Drw	sheet 4 of 4		