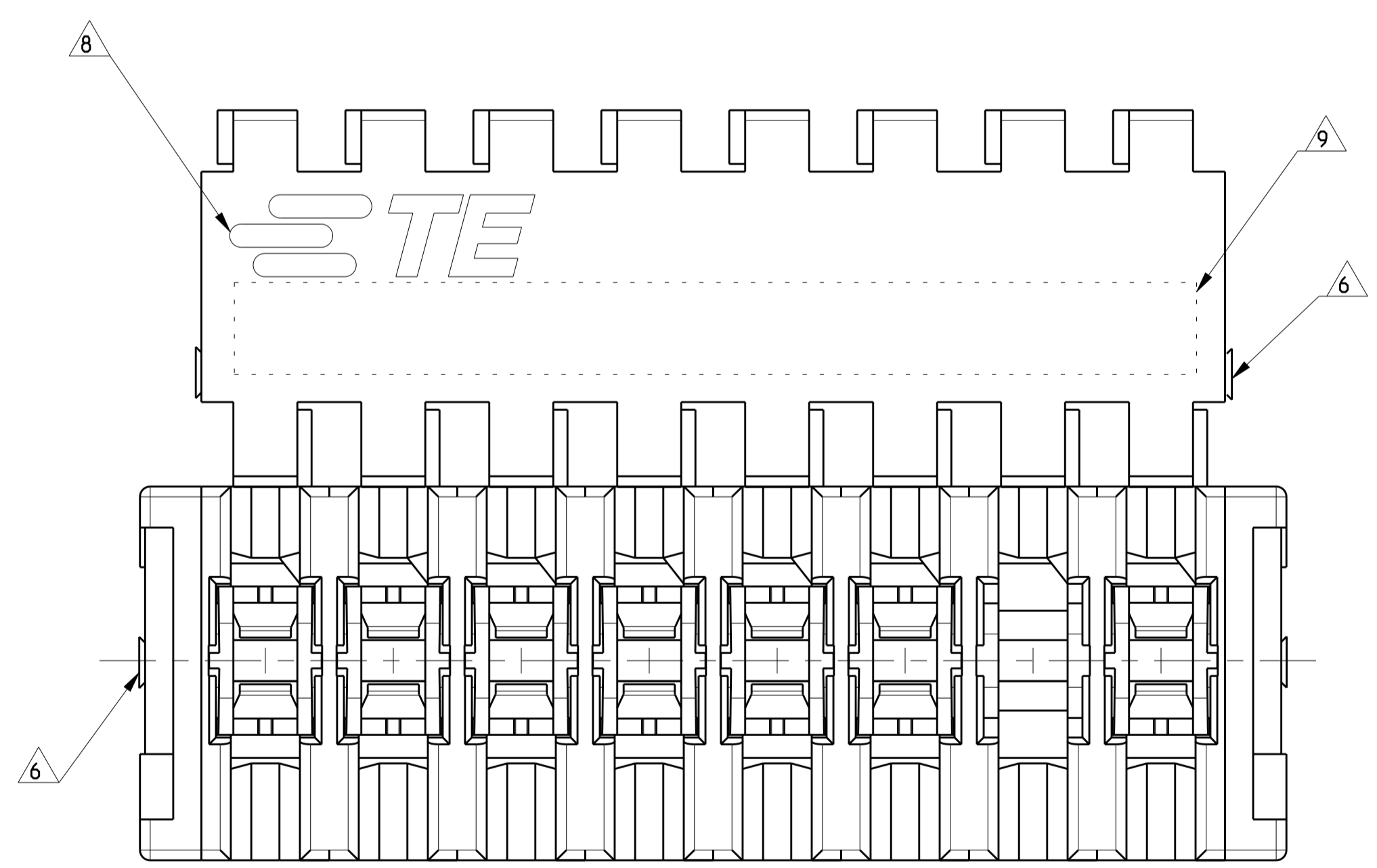
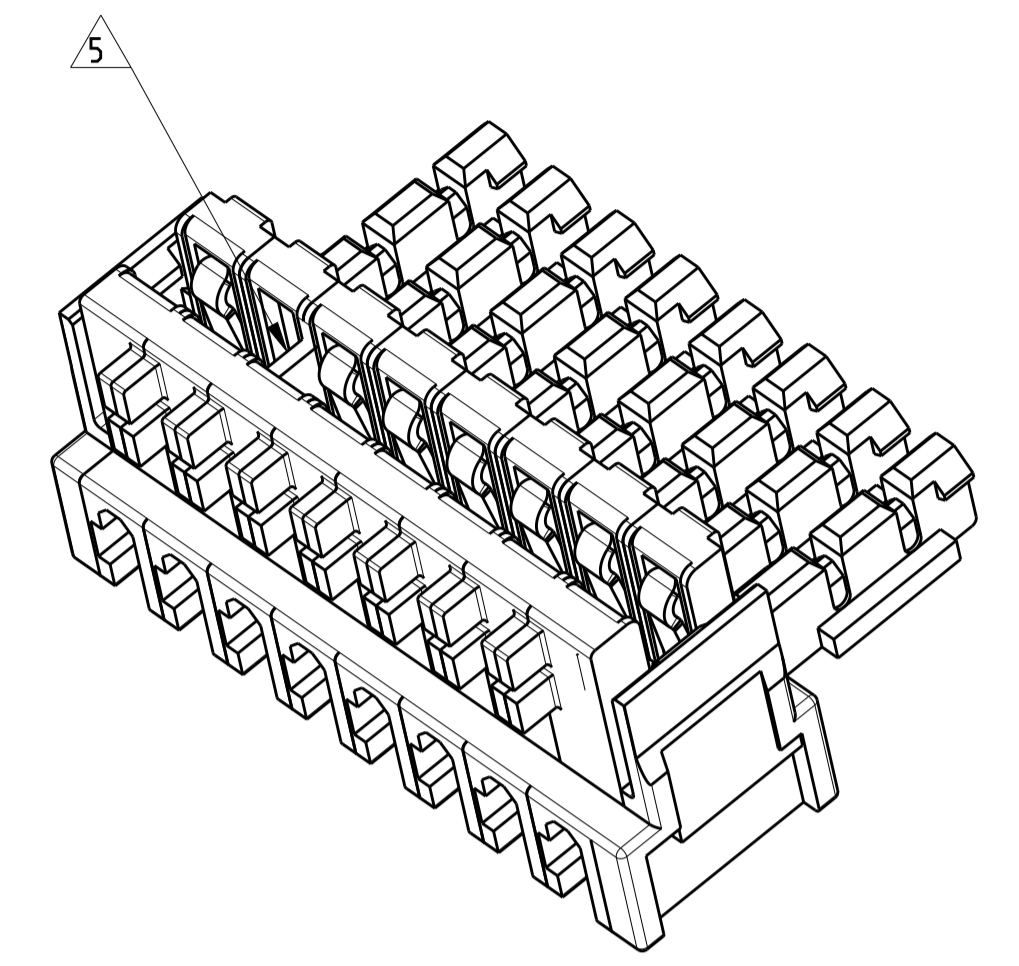
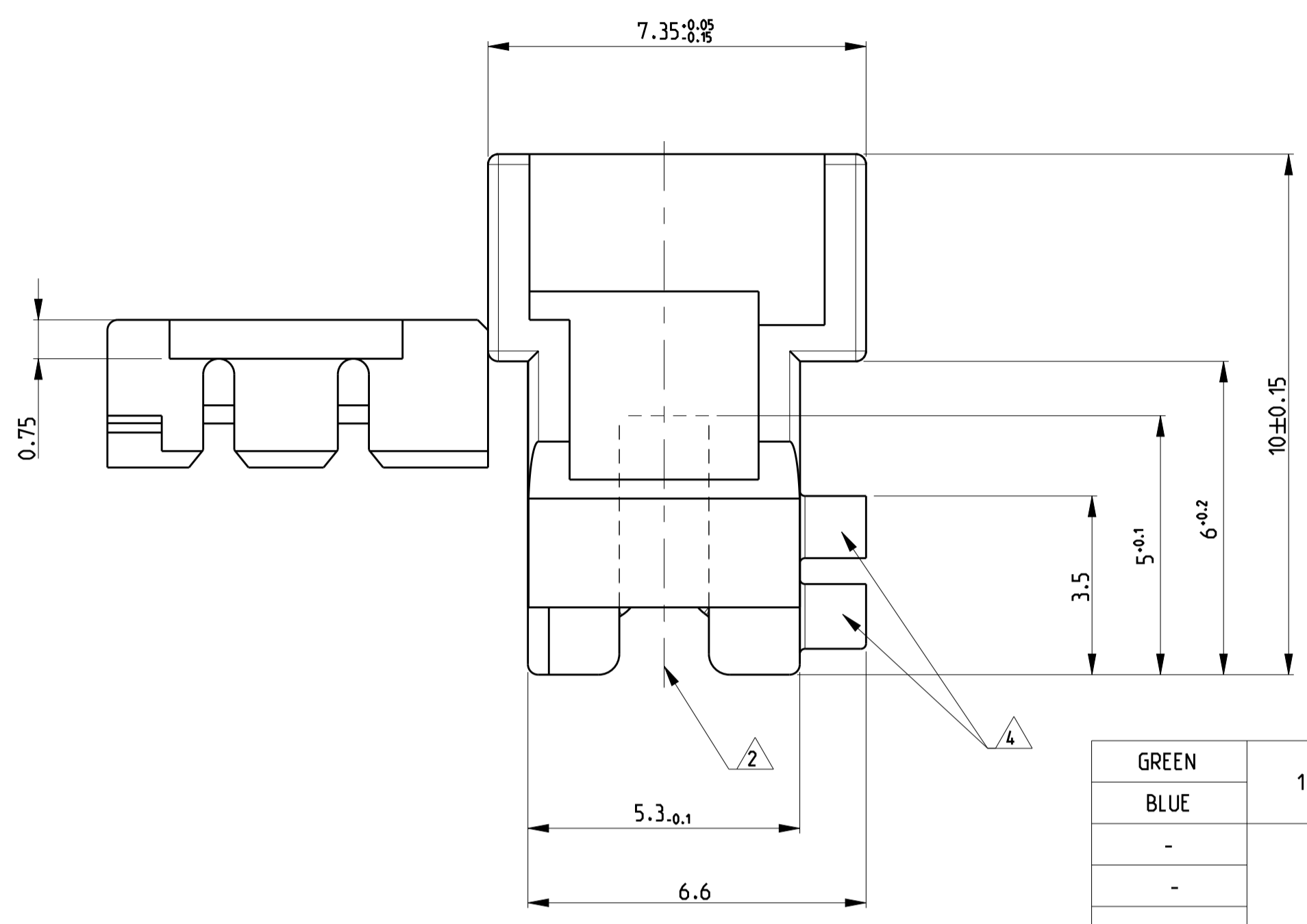
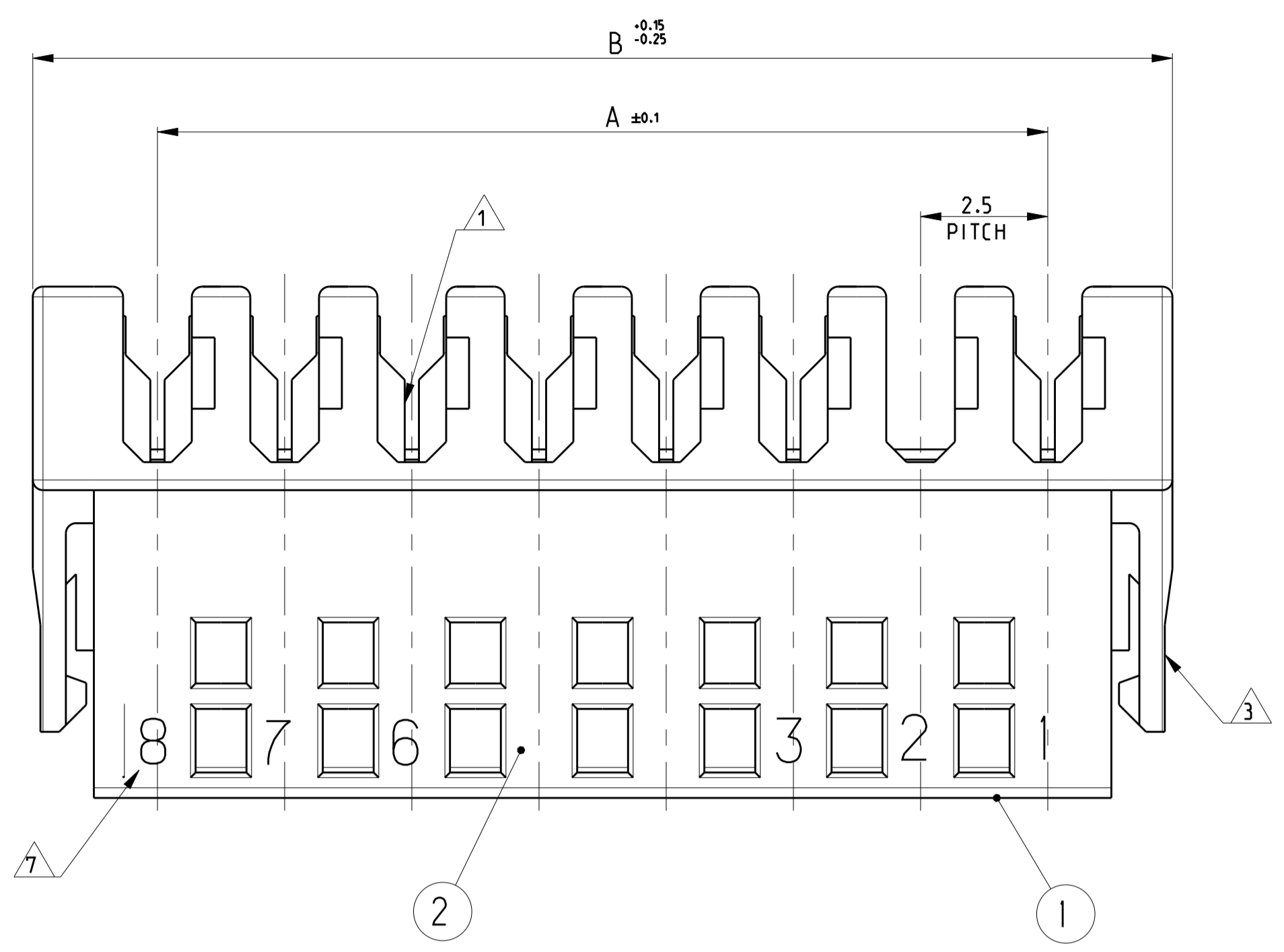


REVISIONS					
P	LTR	DESCRIPTION	DATE	DWN	APVD
B17	ECR-19-003638		19MAR2019	LZ	FL
B18	ECR-19-005718		15APR2019	LZ	FL
B19	ECR-19-008683		11JUN2019	LZ	FL
B20	ECR-19-009970		22JUL2019	SM	FL



- ① WIRE RANGE : STRANDED 0.22-0.35 mm² (INS. DIA. 1.30±0.1)
- ② MATING PART: P.C.B. EDGE, DOUBLE SIDE, THK 1.5 (COPPER CLADDING INCLUDED)
- ③ SIDE LOCKING DEVICE
- ④ KEYING RIBS TO BE REMOVED BY TERMINATION MACHINE
- ⑤ POLARIZATION RIBS BETWEEN CAVITIES
- ⑥ CUT OFF DIMENSION DUE TO PRODUCTION PROCESS
- ⑦ CIRCUIT No. IDENTIFICATION
- ⑧ TE TRADEMARK (OPTIONAL POSITION)
- ⑨ TAMPOGRAPHIC COLOUR CODE AREA (P/Ns IDENTIFICATION BEFORE CRIMPING AREA)
- ⑩ FOR PCB LAYOUT, SEE SHEET 2
FOR CONNECTION VIEW LAYOUT, SEE SHEET 2
- ⑪ PRELIMINARY NOT YET RELEASED FOR PRODUCTION
- ⑫ PBT GF
- ⑬ PBT GF, UL94-V0 & GWEP7 750 NO-FLAME, NATURAL

COLOUR CODE	POLARIZ. RIB POS.	CONTACT LOADING	HSG POS.	DIM.A	DIM.B	TE P/N	TE P/N
GREEN	13/14	SELECTIVELY 1.3.4.6.8.9.10.11.12.13.14	14	32.5	37.4	5-284866-4	1-2311508-4
BLUE		SELECTIVELY 1.3.4.6.11.12.13.14				1-284866-4	2311508-4
-		SELECTIVELY 1.2.5.6.8.10.11.13				4-284866-3	-
-	2/3	SELECTIVELY 3.4.5.6.8.10.11.13	13	30.0	34.9	3-284866-3	-
-		SELECTIVELY 1.2.3.4.5.6.8.10.11.13				5-284866-3	-
BLUE	2/3	SELECTIVELY 1.3.4.6.7.9.11.12	12	27.5	32.4	1-284866-2	2311508-2
BLACK	2/3	SELECTIVELY 1.3.5.6.7.8.9.10				2-284866-0	-
OBSOLETE	2/3	SELECTIVELY 1.2.3.4.5.6.7.8.10	10	22.5	27.4	1-284866-0	-
-	7/8	SELECTIVELY 1.2.4.6.8.9				2336596-9	-
GRAY	3/4	SELECTIVELY 1.3.4.6.8.9				7-284866-9	8-2311507-9
RED	4/5	SELECTIVELY 1.2.4.6.8.9				8-284866-9	7-2311507-9
-		SELECTIVELY 1.2.4.6.8.9				9-284866-9	-
GREEN		SELECTIVELY 1.2.4.6.8.9				1-284866-9	6-2311507-9
BLACK		SELECTIVELY 1.2.4.6.7.9	9	20.0	24.9	6-284866-9	5-2311507-9
ORANGE	2/3	SELECTIVELY 1.3.5.7.8.9				5-284866-9	4-2311507-9
ORANGE		SELECTIVELY 1.2.3.5.7.9				4-284866-9	3-2311507-9
RED		SELECTIVELY 1.3.4.6.8.9				3-284866-9	2-2311507-9
GREEN		SELECTIVELY 1.3.4.5.6.7.8.9				2-284866-9	1-2311507-9
BLUE		SELECTIVELY 1.3.4.6.7.9				0-284866-9	2311507-9
-		SELECTIVELY 5.6.7				5-284866-8	-
BROWN		SELECTIVELY 1.2.3.4.6.8				4-284866-8	3-2311507-8
RED	2/3	SELECTIVELY 1.3.5.6.7.8	8	17.5	22.4	3-284866-8	2-2311507-8
GREEN		SELECTIVELY 1.3.4.5.6.7.8				2-284866-8	1-2311507-8
BLUE		SELECTIVELY 1.3.4.6.7.8				0-284866-8	2311507-8
BLUE	2/3	SELECTIVELY 1.3.5.7	7	15.0	19.9	1-284866-7	1-2311507-7
BLUE		SELECTIVELY 1.3.5.6.7				0-284866-7	2311507-7
-	4/5	SELECTIVELY 1.3.4.6				5-284866-6	-
BLACK	2/3	SELECTIVELY 1.3.4.6	6	12.5	17.4	4-284866-6	2-2311507-6
GREEN	4/5	SELECTIVELY 1.2.4.6				2-284866-6	1-2311507-6
BLUE	2/3	SELECTIVELY 1.3.5.6				0-284866-6	2311507-6
ORANGE		SELECTIVELY 3.4.5				4-284866-5	3-2311507-5
GREEN	1/2	SELECTIVELY 1.2.3.5				3-284866-5	2-2311507-5
BLUE	3/4	SELECTIVELY 1.3.4.5	5	10.0	14.9	2-284866-5	1-2311507-5
RED	2/3	SELECTIVELY 2.4				0-284866-5	2311507-5
GREEN	N/A	SELECTIVELY 1.2.4	4	7.5	12.4	2-284866-4	2311507-4
GREEN	1/2	SELECTIVELY 1.3				2-284866-3	1-2311507-3
BLUE	-	SELECTIVELY 1.3	3	5.0	9.9	1-284866-3	-
BLUE	2/3	SELECTIVELY 1.3				0-284866-3	2311507-3

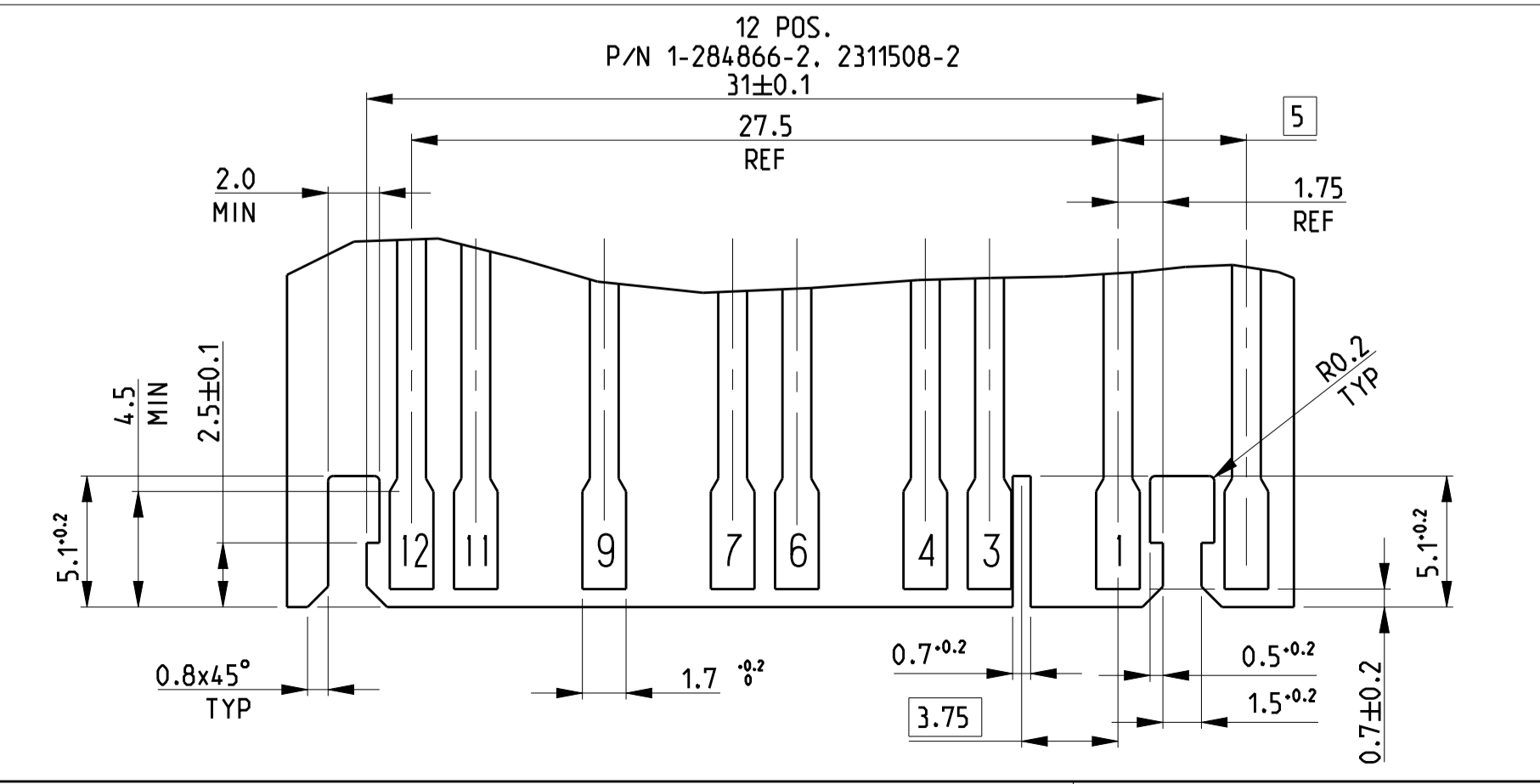
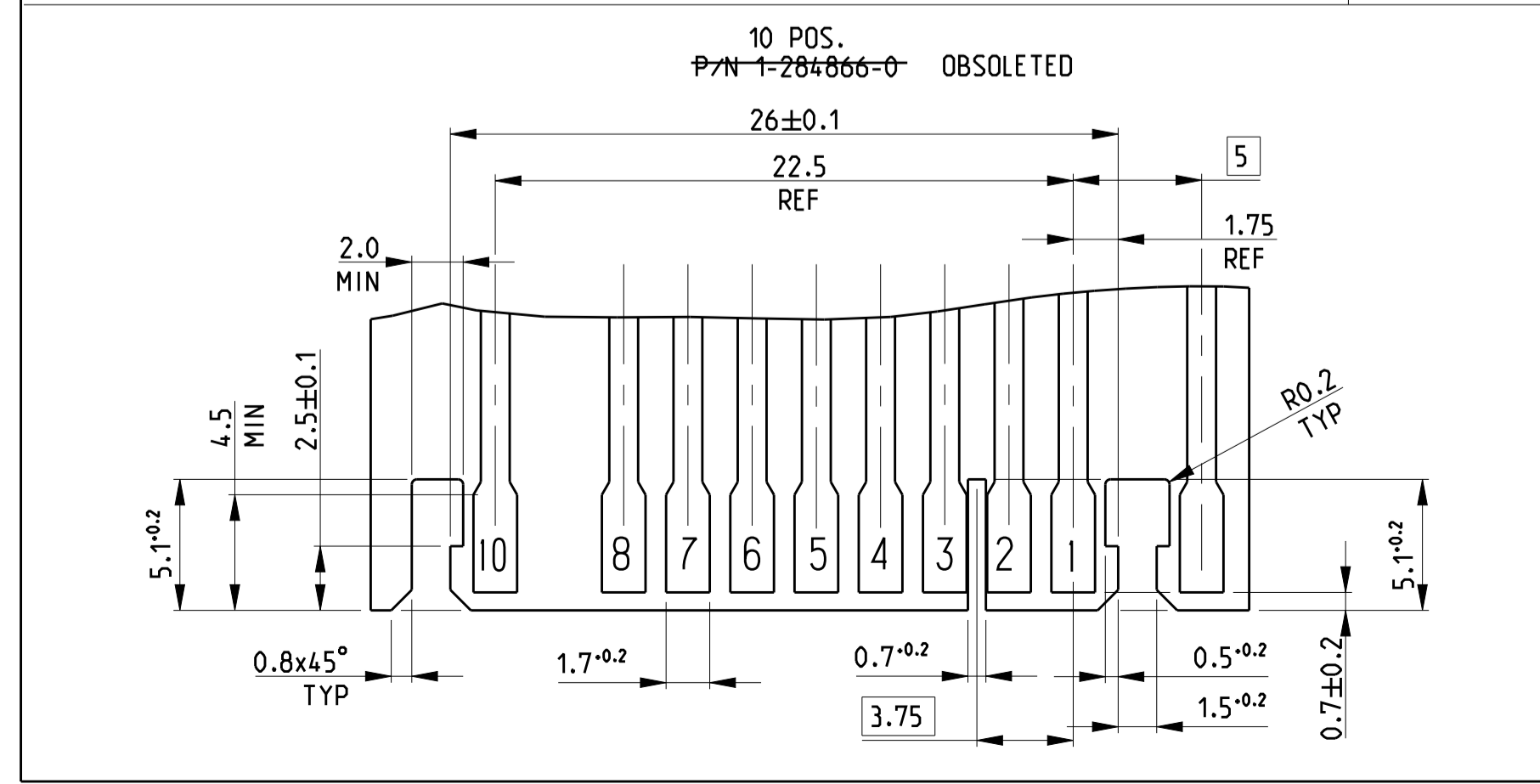
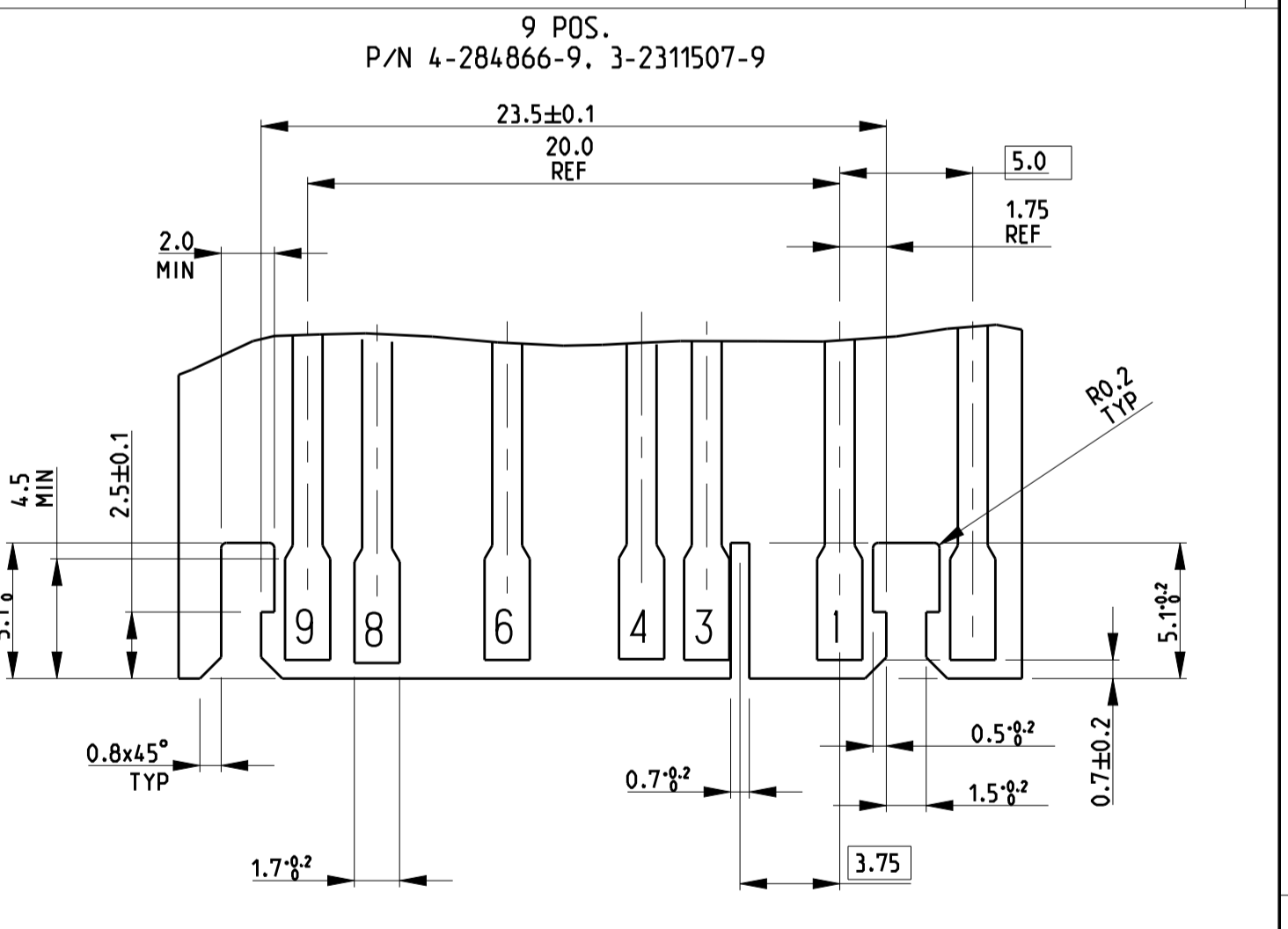
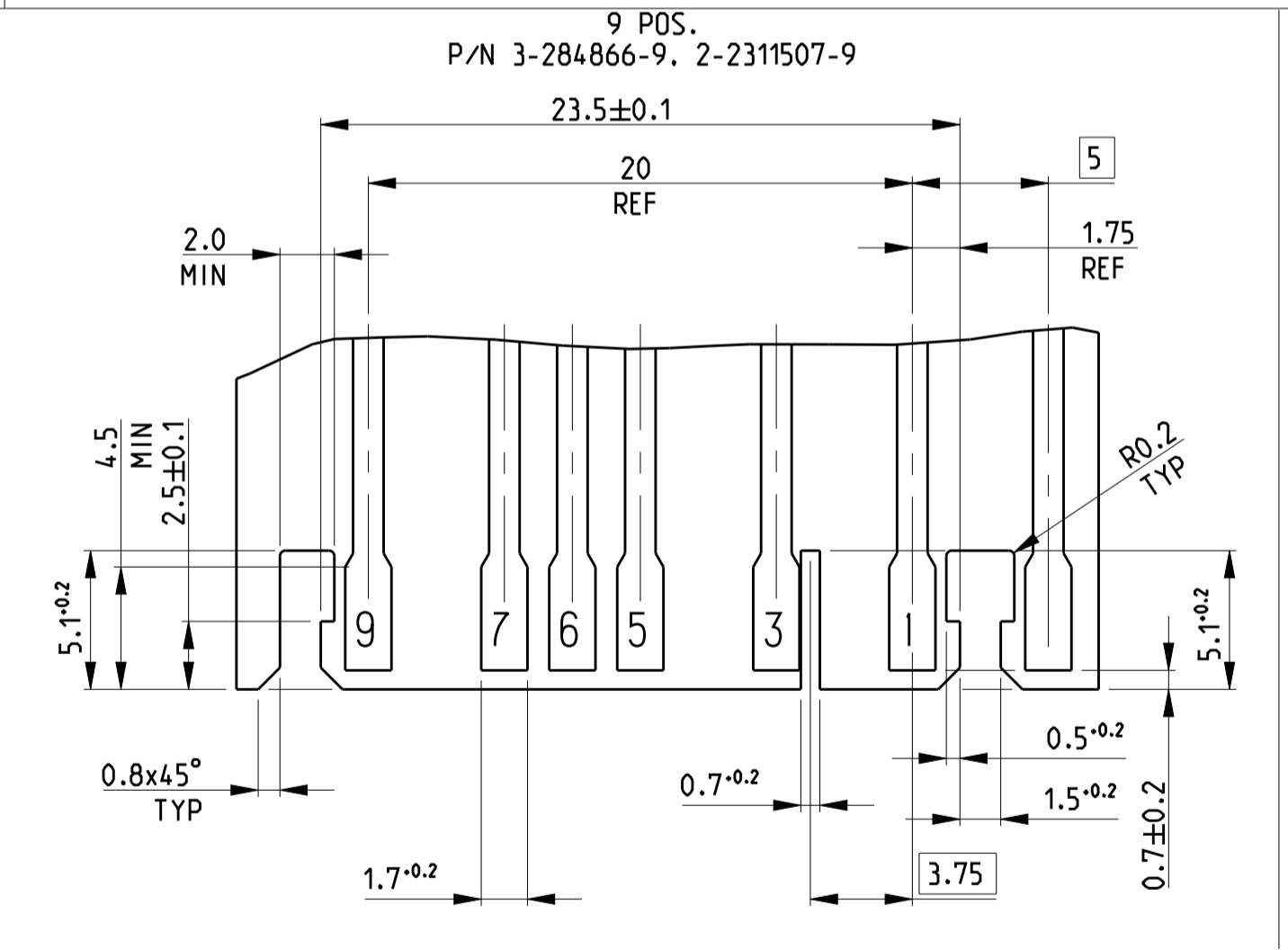
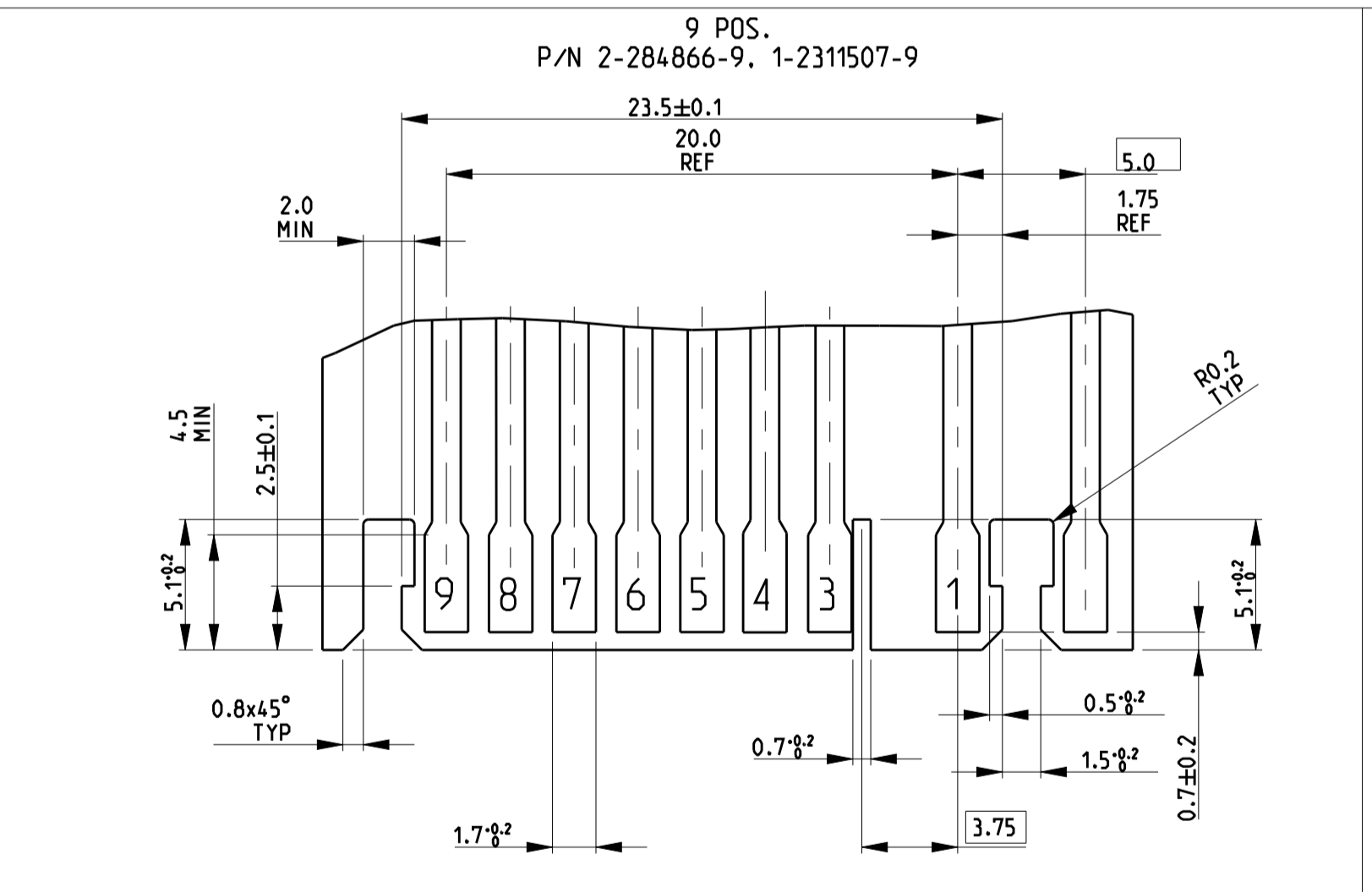
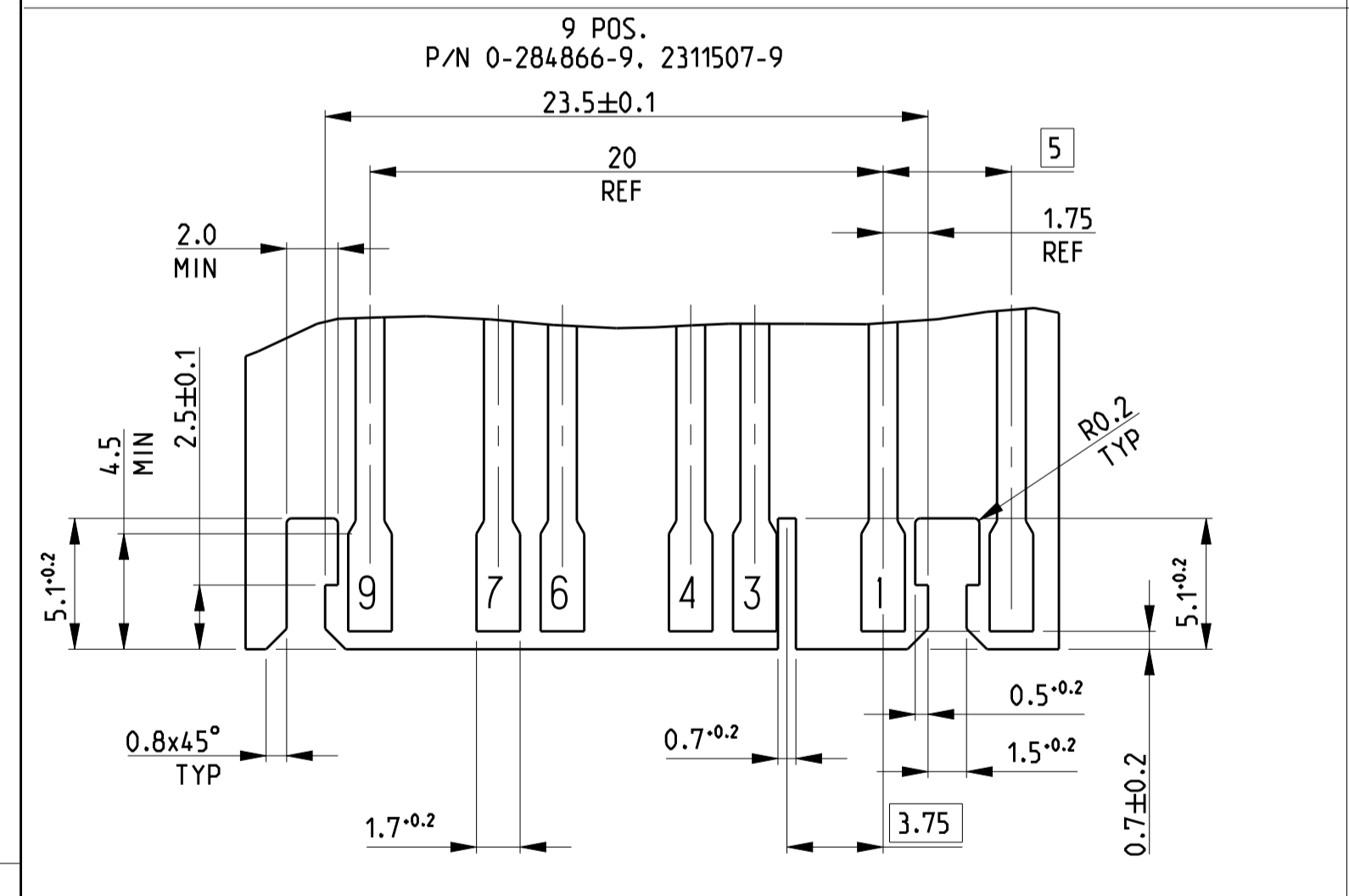
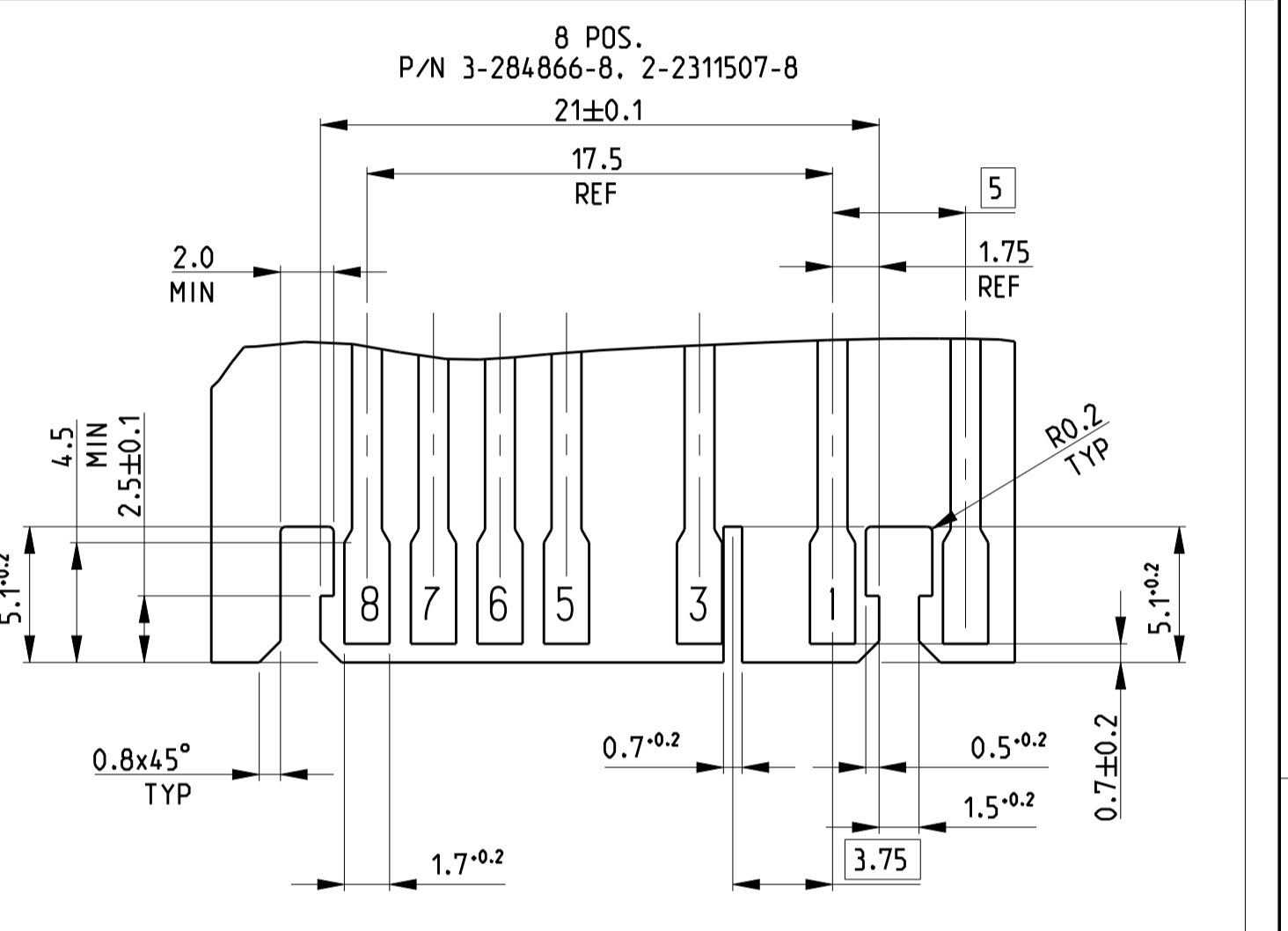
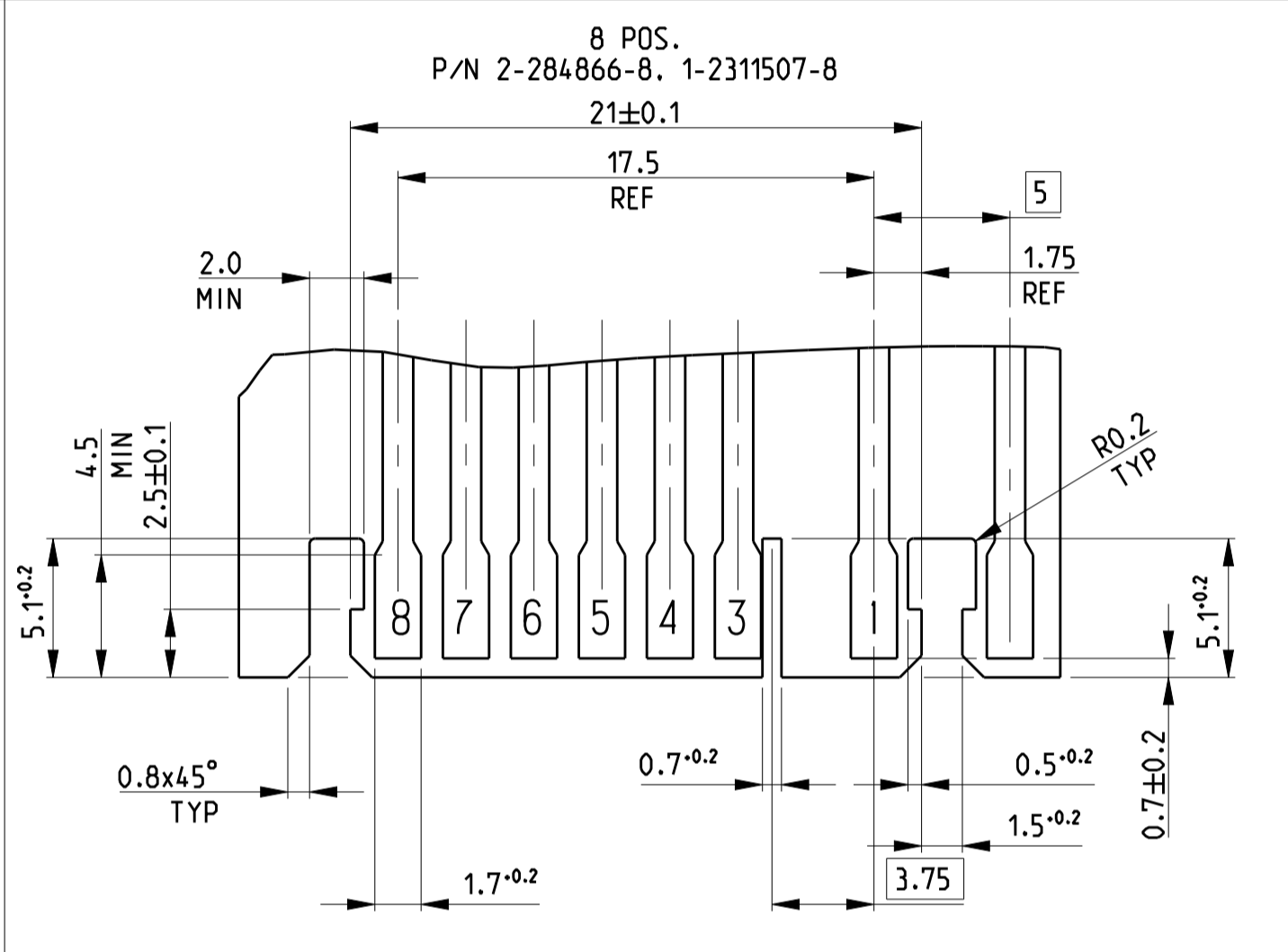
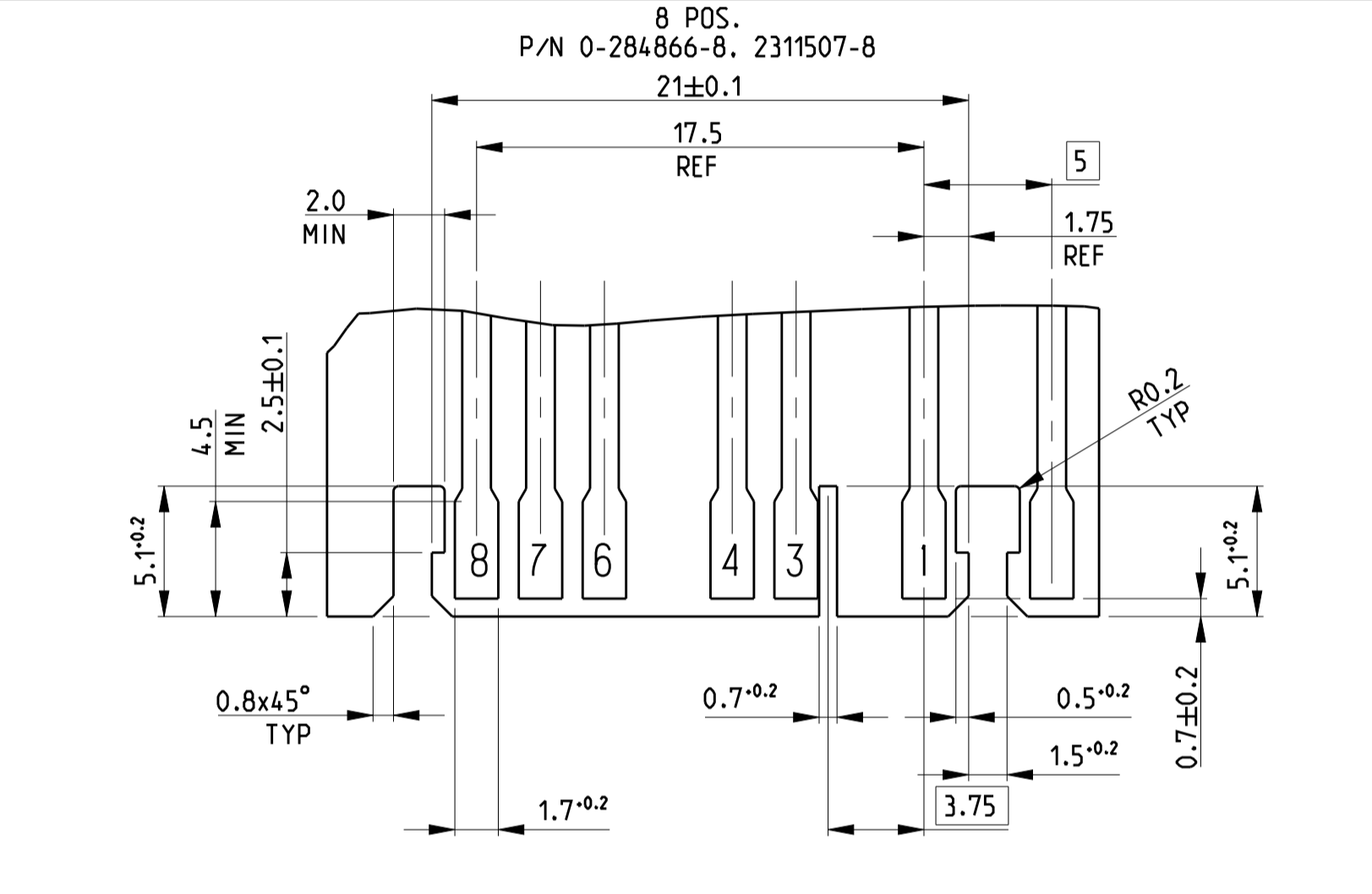
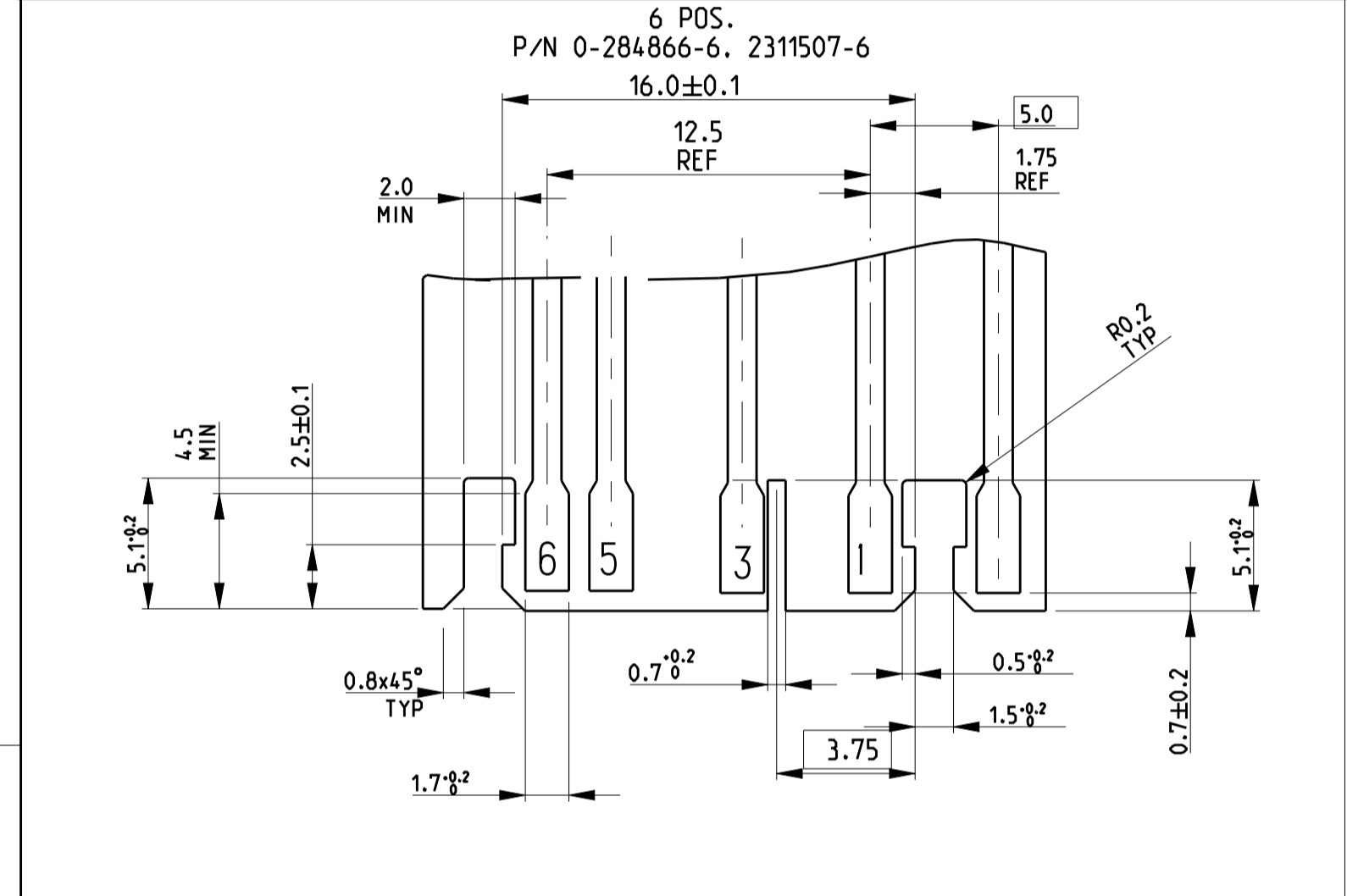
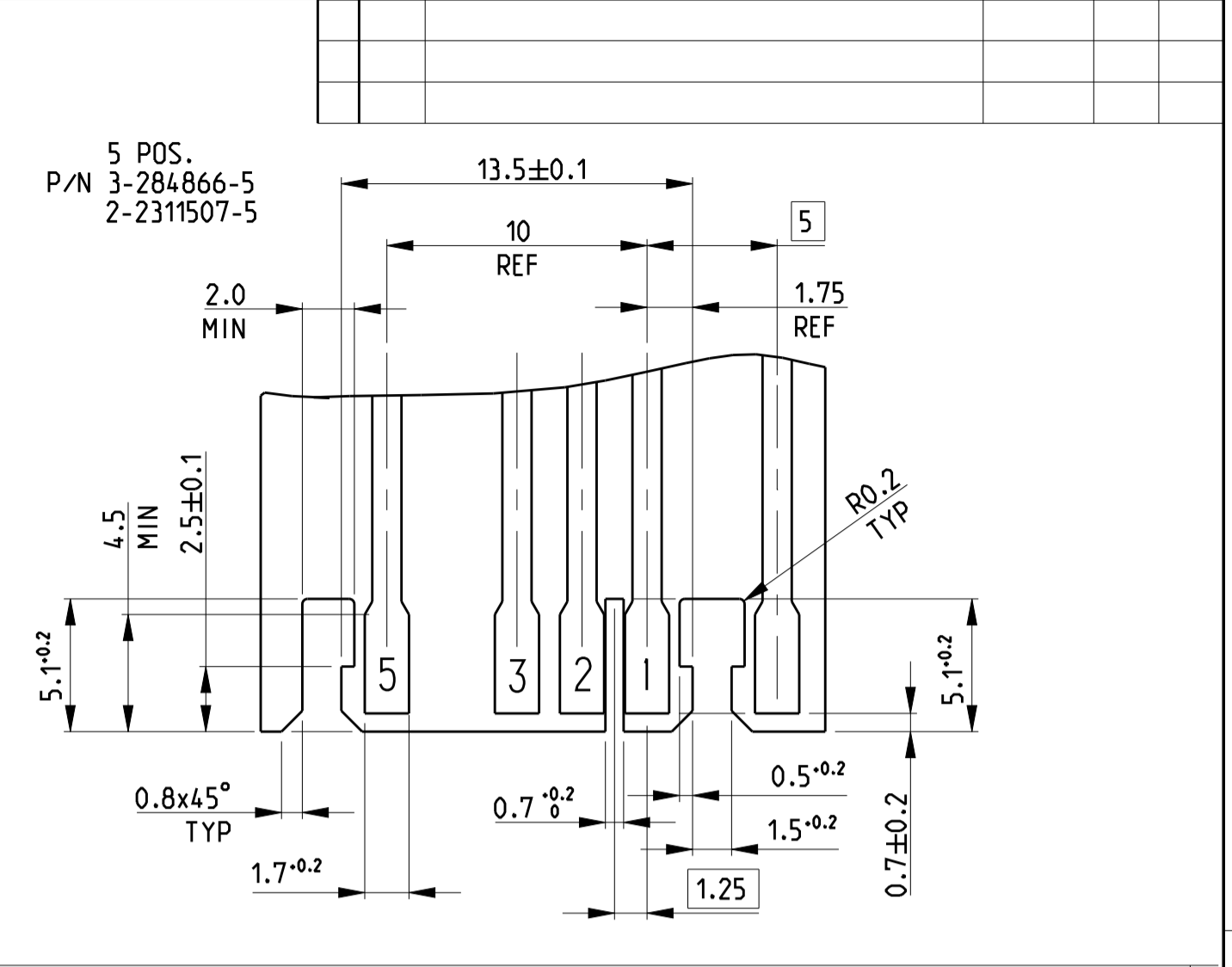
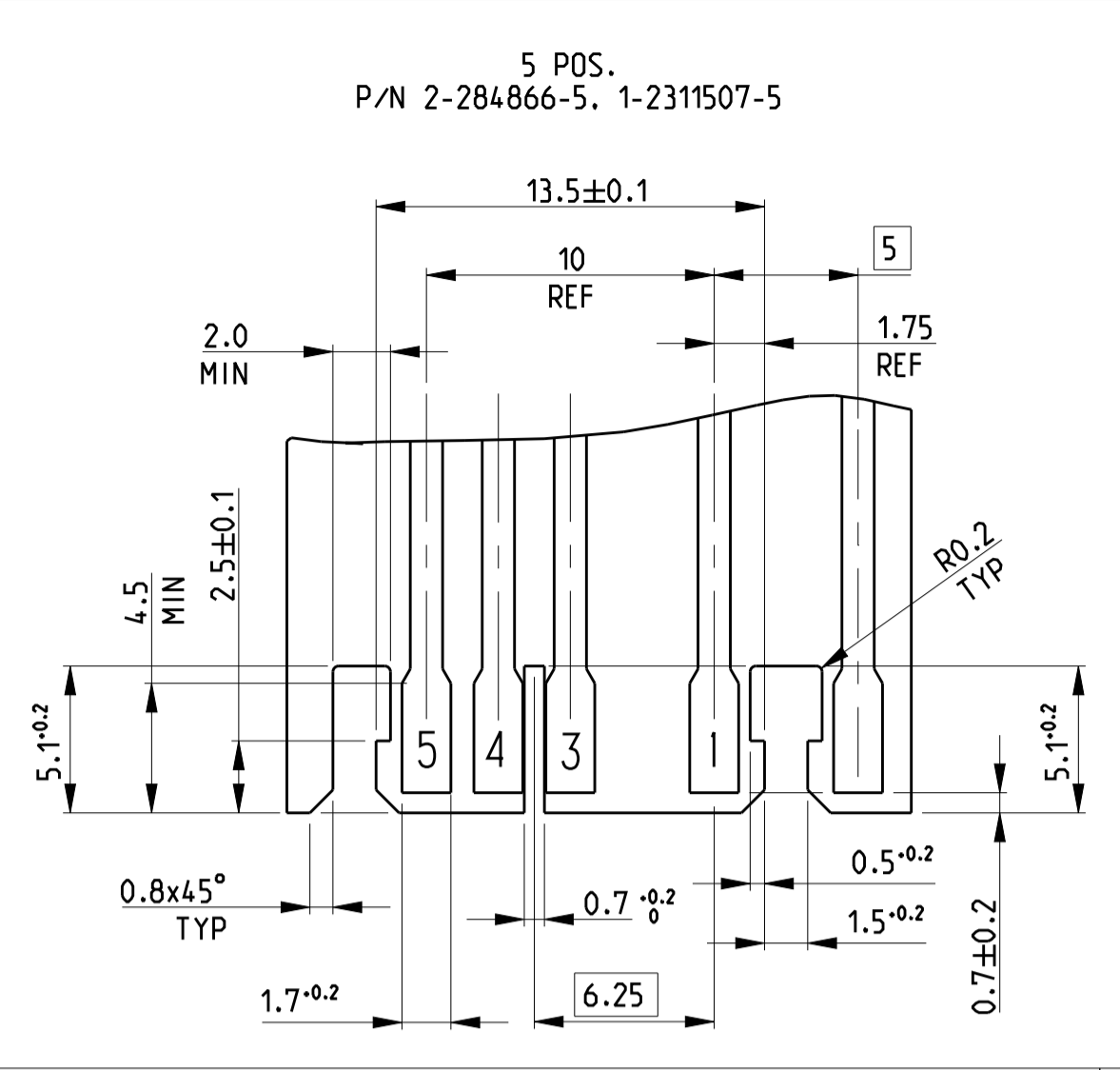
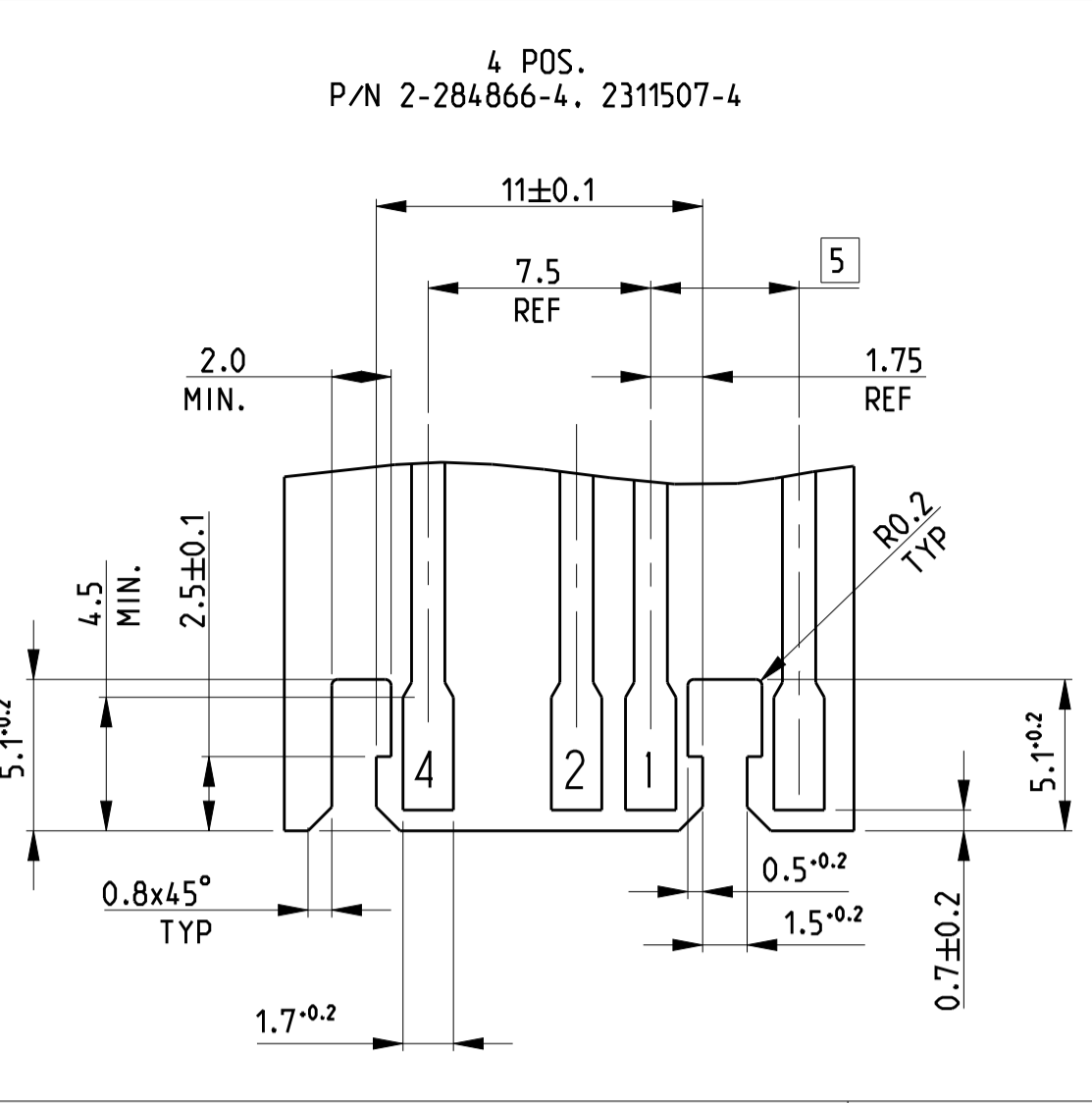
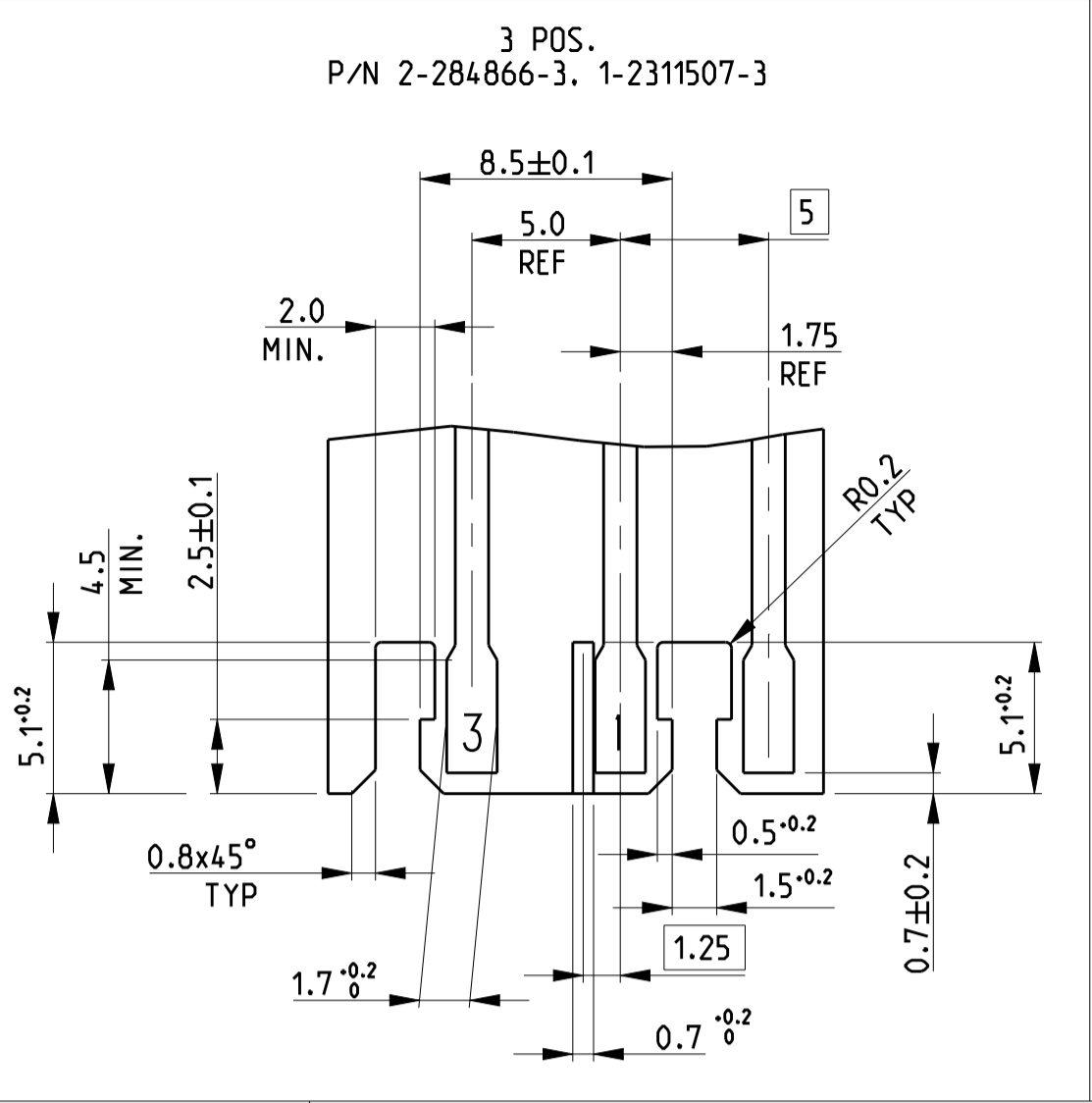
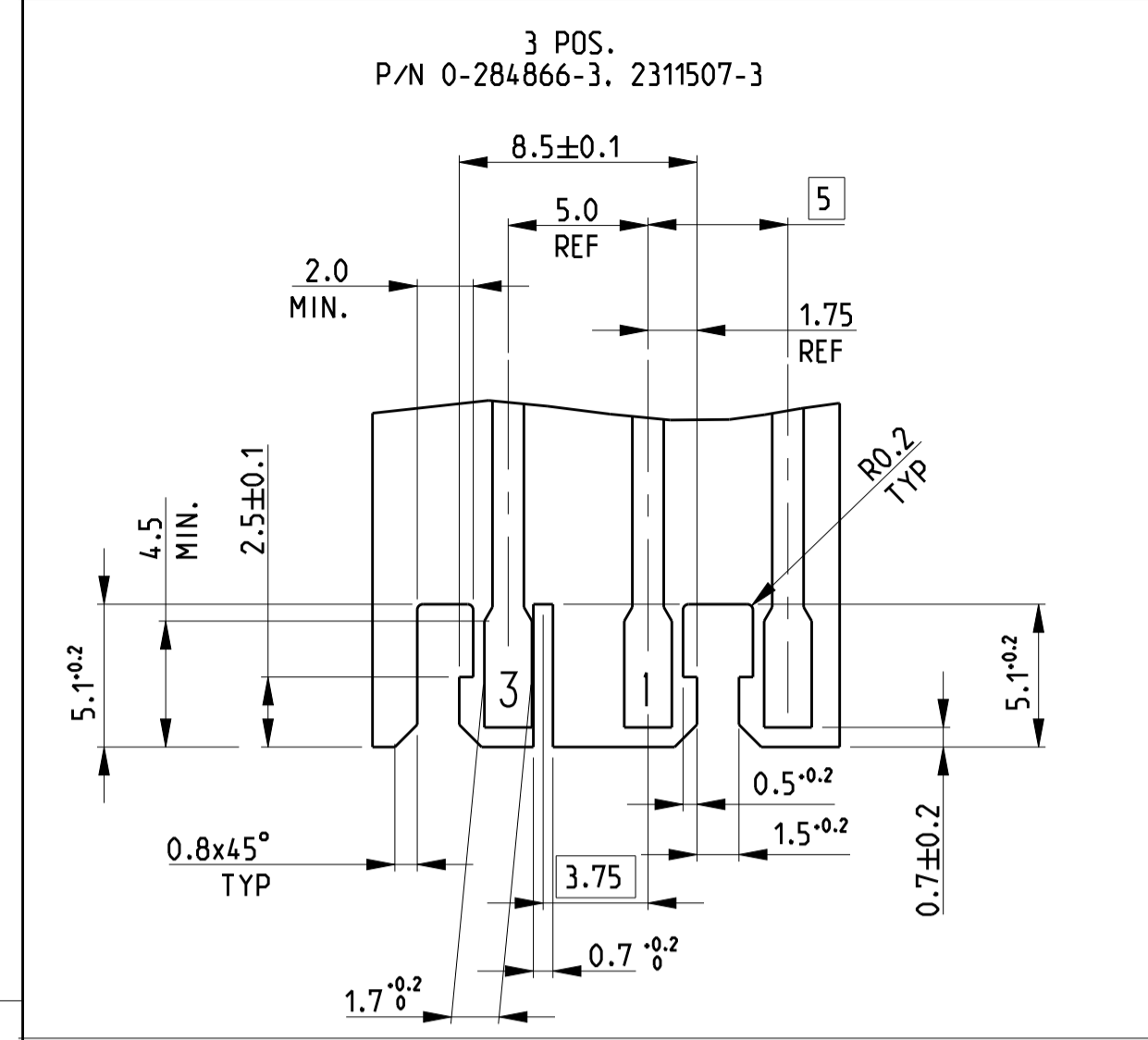
P/N 2-284866-8 AS SHOWN

-		-		THIS DRAWING IS A CONTROLLED DOCUMENT.		DWN R. FABRIS 03JUL2002	
SEE TABLE	PH. BRONZE, TIN PLATED	IDC RECEPTACLE CONTACT	2	DIMENSIONS: mm	TOLERANCES UNLESS OTHERWISE SPECIFIED:	STE TE Connectivity	
Q.TY	MATERIAL	DESCRIPTION	ITEM	0 PLC ±0.2	1 PLC ±0.2	DUOPLUG 2.5 FEMALE CONN., SIDE LOCKING, KEYED (SELECTIVELY LOADED CONTACTS)	
1		REVISIONE DELL'ASSEMBLATO (REVISION OF EACH ASSY NO)		2 PLC ±0.2	3 PLC ±0.2	108-20238 APPLICATION SPEC	
D.24 REV ASSEMBLATO		ELENCO DEI COMPONENTI (PARTS LIST)		MATERIAL	SEE TABLE	116-18049-1 WEIGHT	
						A1 00779 C=284866	
						CUSTOMER DRAWING SCALE 10:1 SHEET 1 OF 5	

PCB LAYOUT -Soldering side-

(SCALE 4:1)

REVISIONS				
P. LTR.	DESCRIPTION	DATE	DRW	APVD
-	SEE SHEET 1	-	-	-

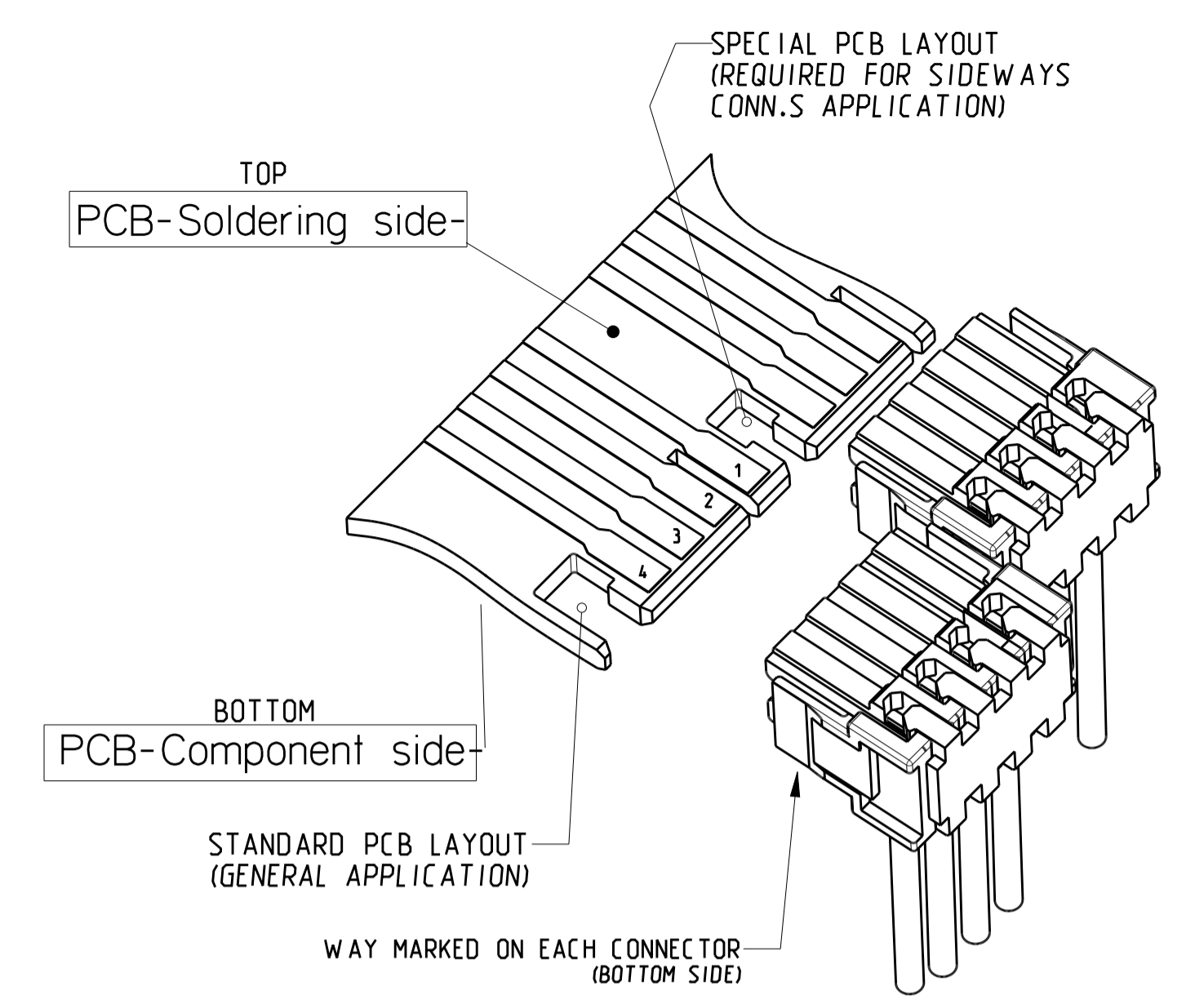
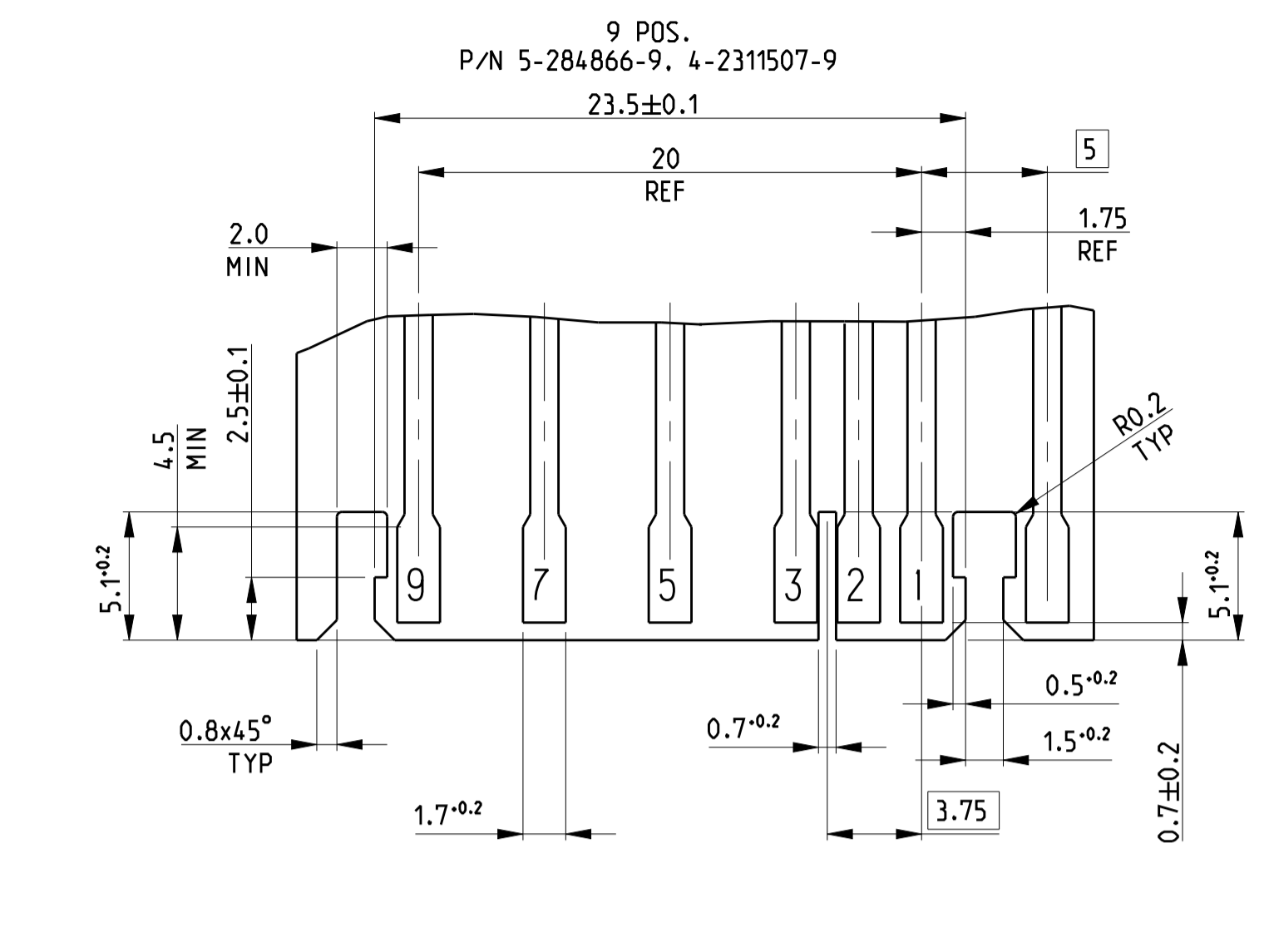
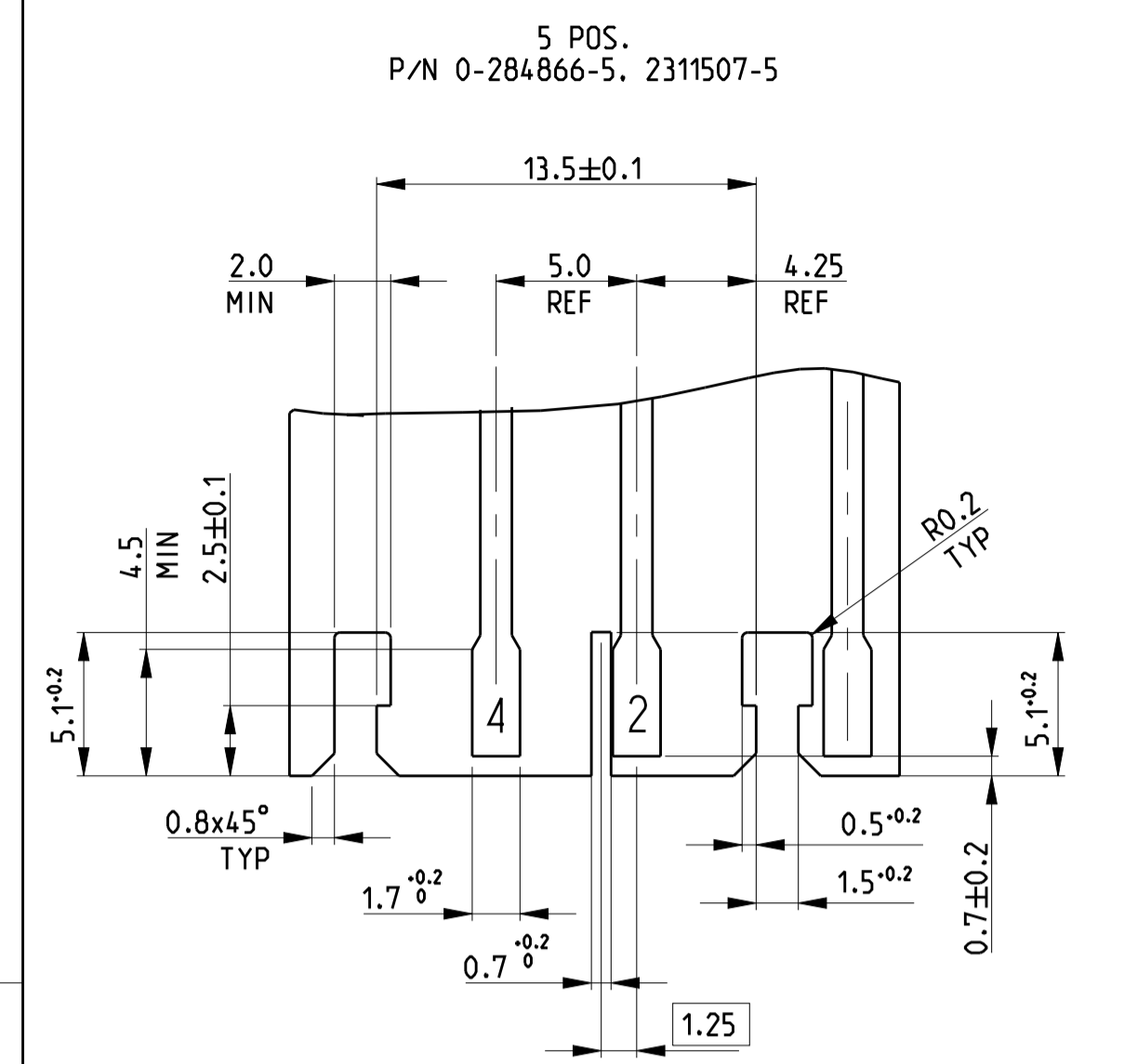


THIS DRAWING IS A CONTROLLED DOCUMENT. DRW: R. FABRIS 03JUL2002
 DIMENSIONS: mm
 TOLERANCES UNLESS OTHERWISE SPECIFIED:
 0 PLC # # # # #
 1 PLC # # # # #
 2 PLC # # # # #
 3 PLC # # # # #
 4 PLC # # # # #
 5 PLC # # # # #
 ANGLES # # # # #
 MATERIAL SEE TABLE
 FINISH SEE TABLE

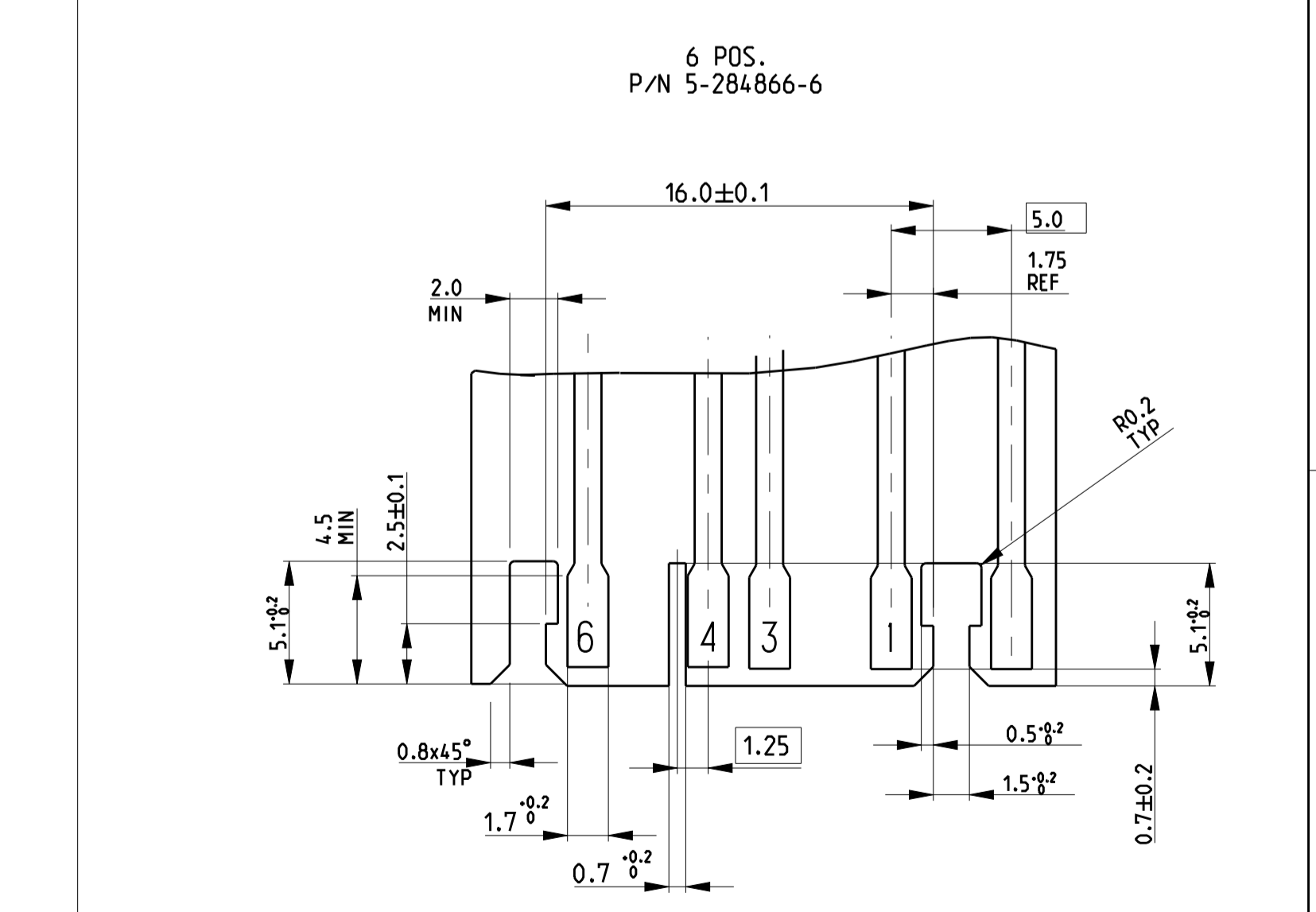
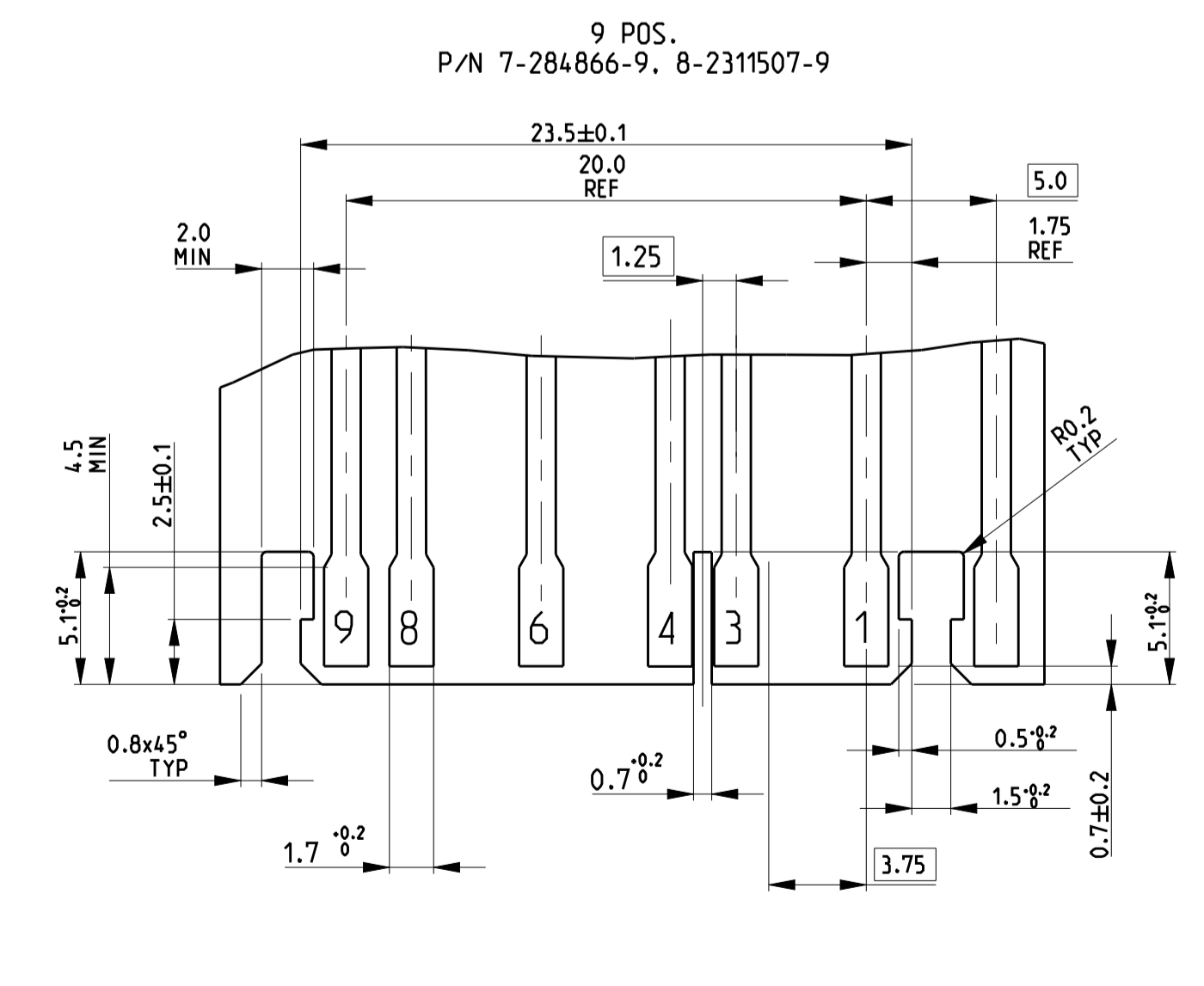
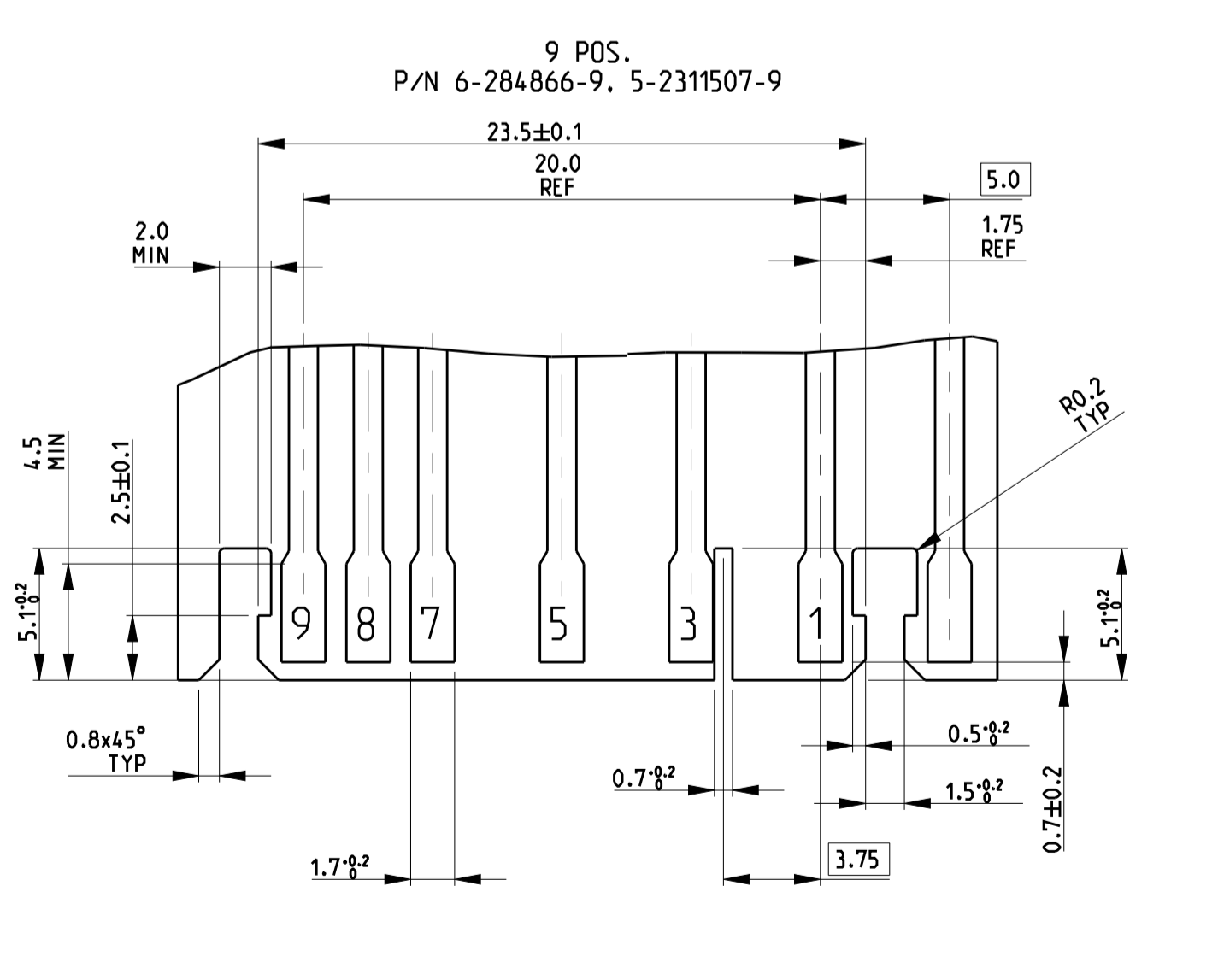
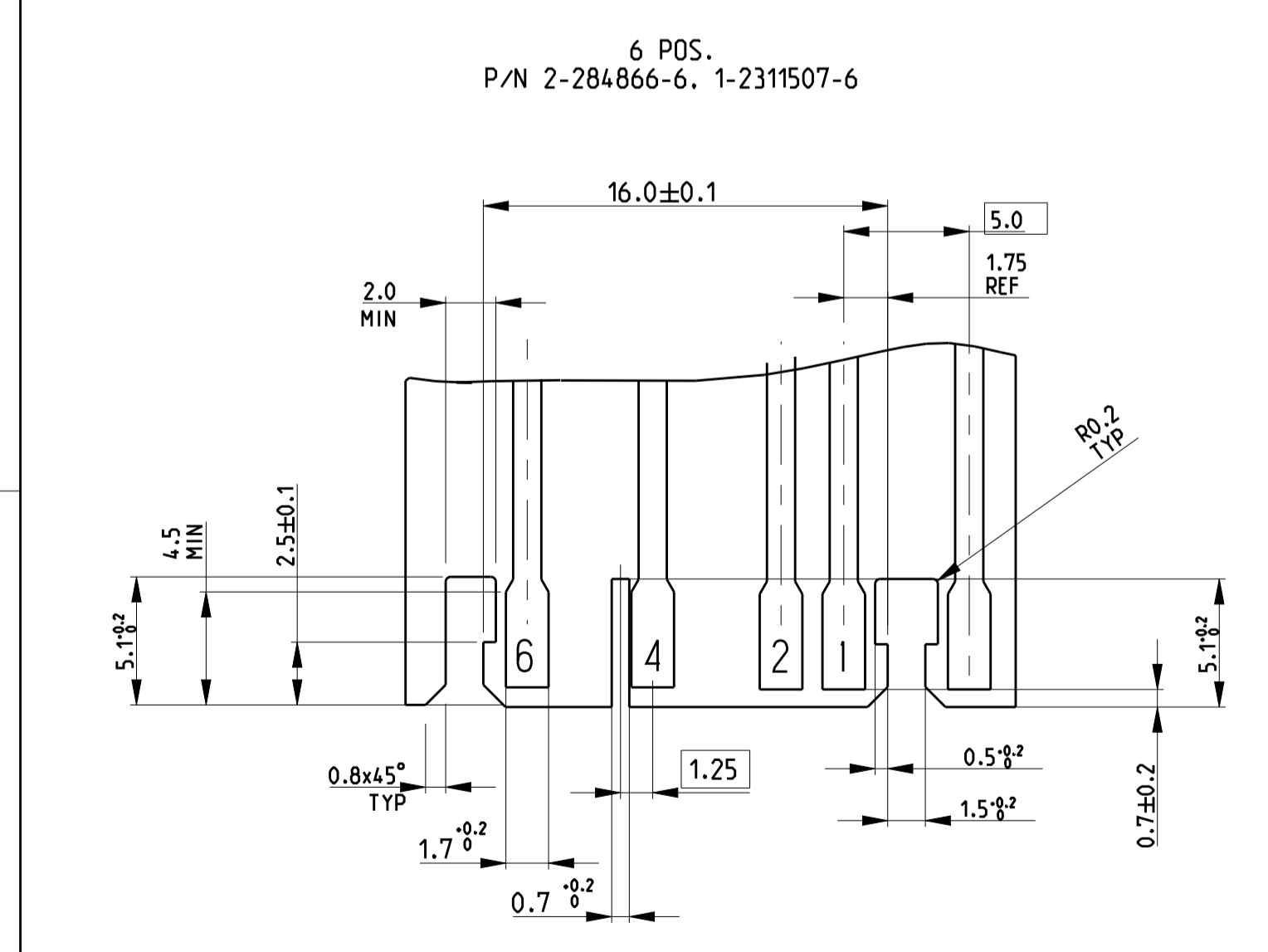
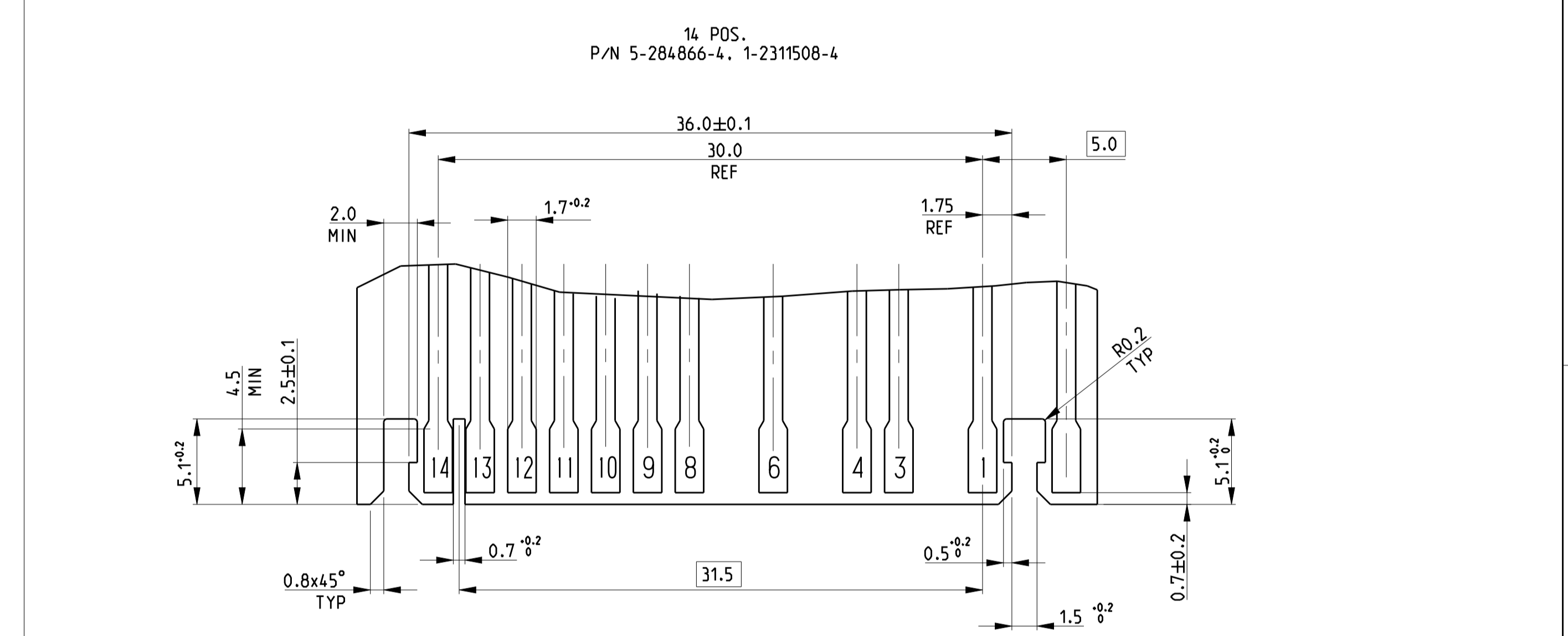
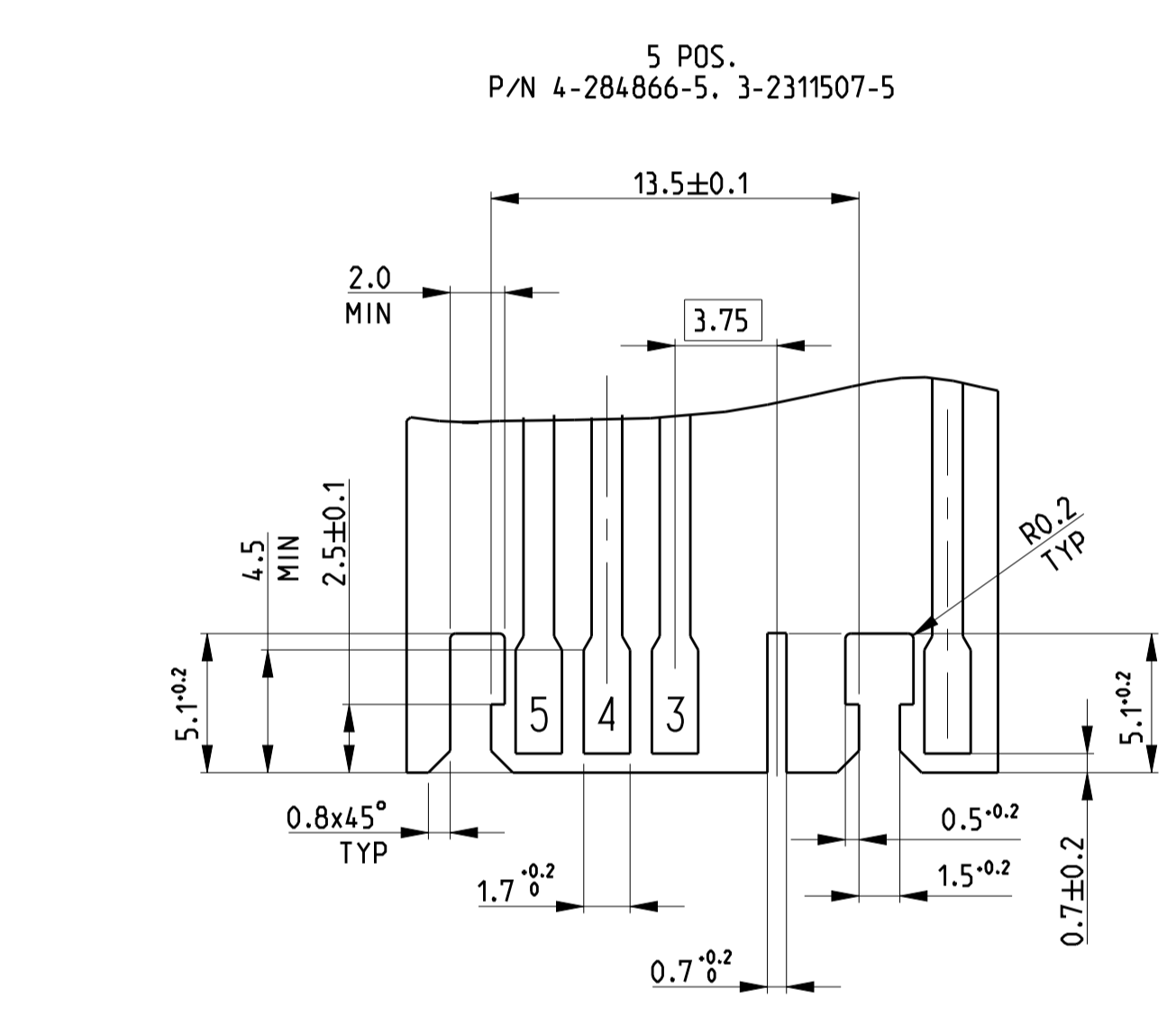
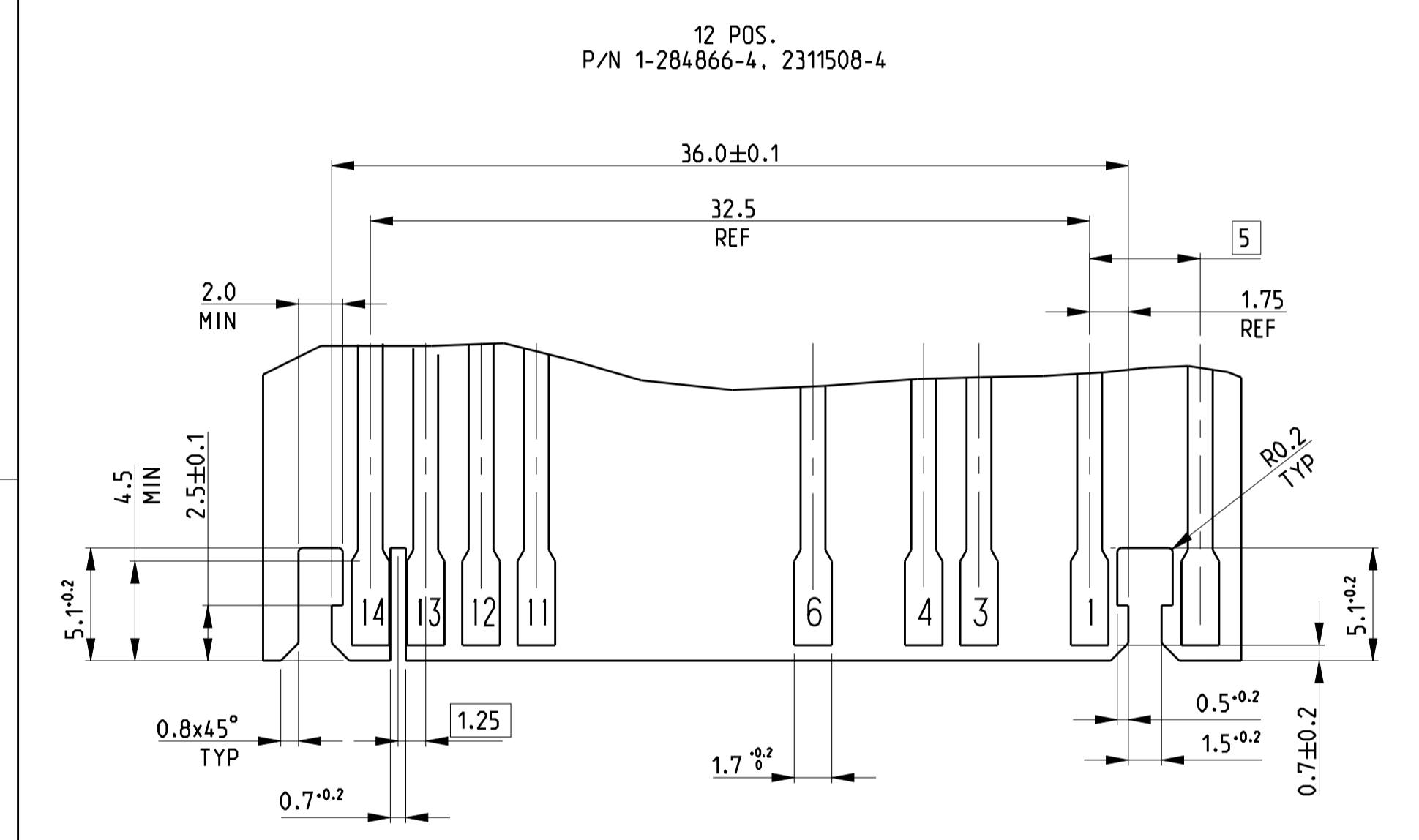
STE TE Connectivity
 NAME: DUOPLUG 2.5 FEMALE CONN., SIDE LOCKING, KEYED (SELECTIVELY LOADED CONTACTS)
 PRODUCT SPEC: 108-20238
 APPLICATION SPEC: 116-18049-1
 WEIGHT: -
 CUSTOMER DRAWING

SIZE: A1
 CAGE CODE: 00779
 DRAWING NO: 284866
 SHEET: 2 OF 5
 SCALE: 6:1
 REV: B20

REVISIONS				
P.	LTR.	DESCRIPTION	DATE	APPV.
-	-	SEE SHEET 1	-	-

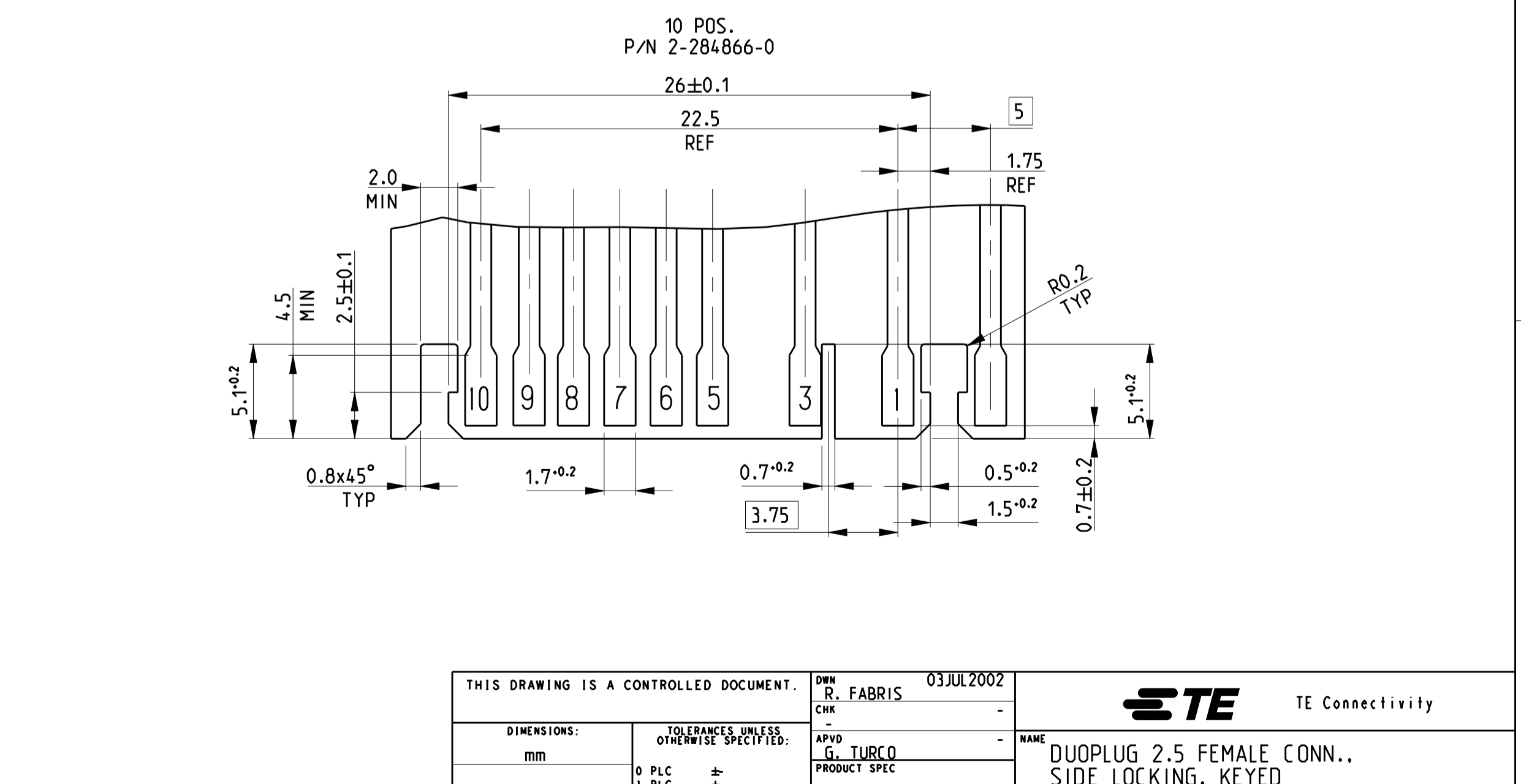
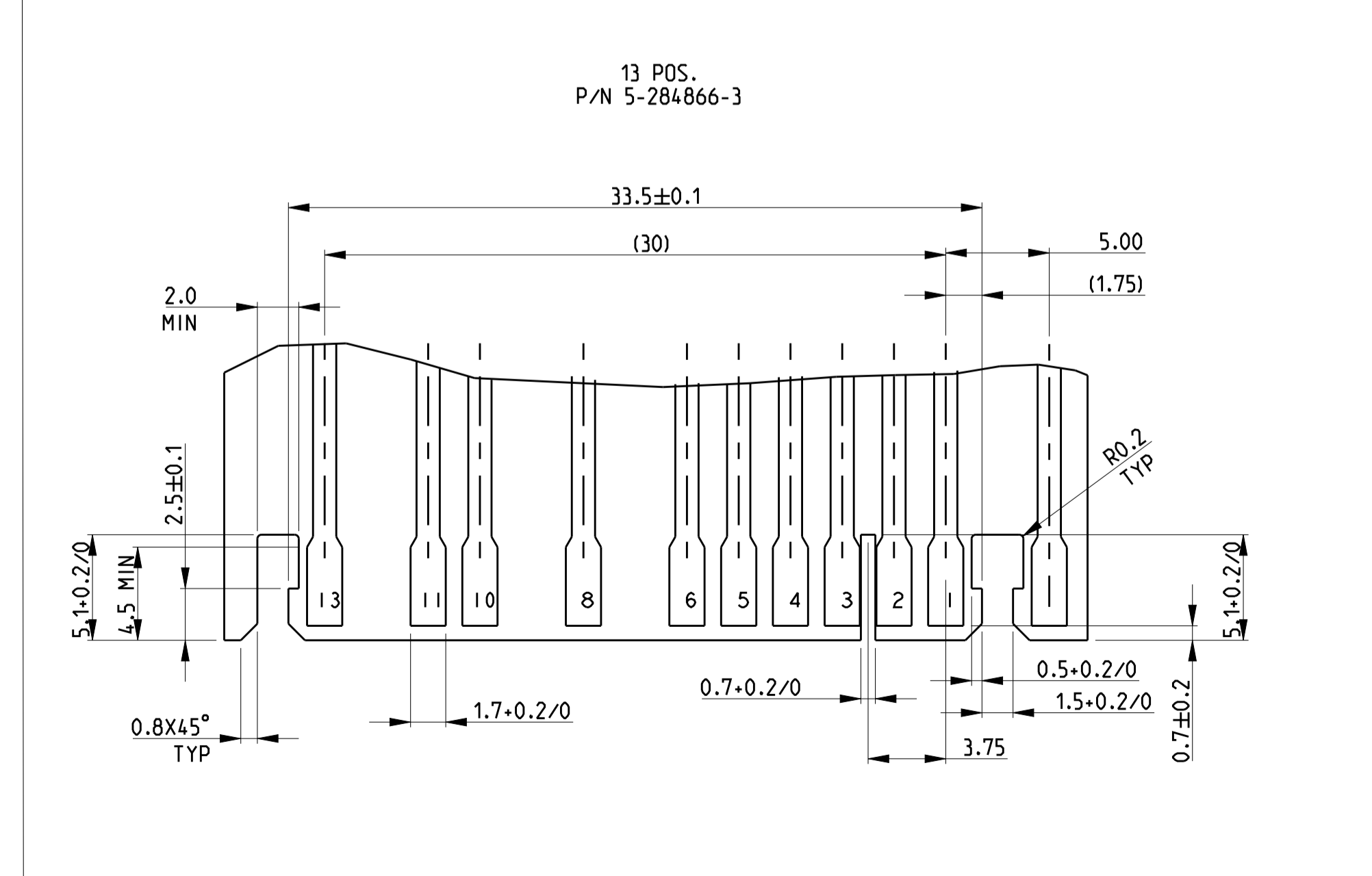
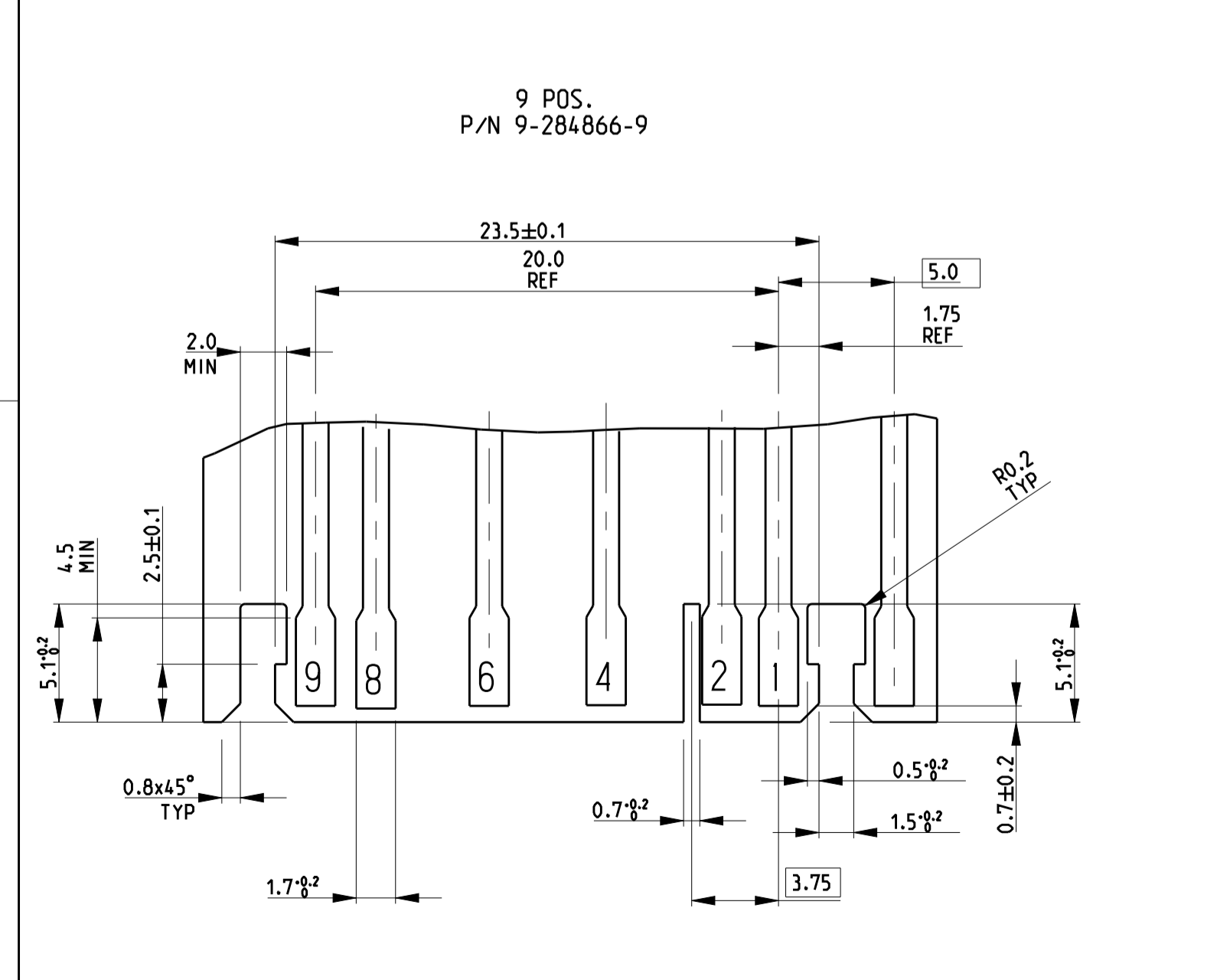
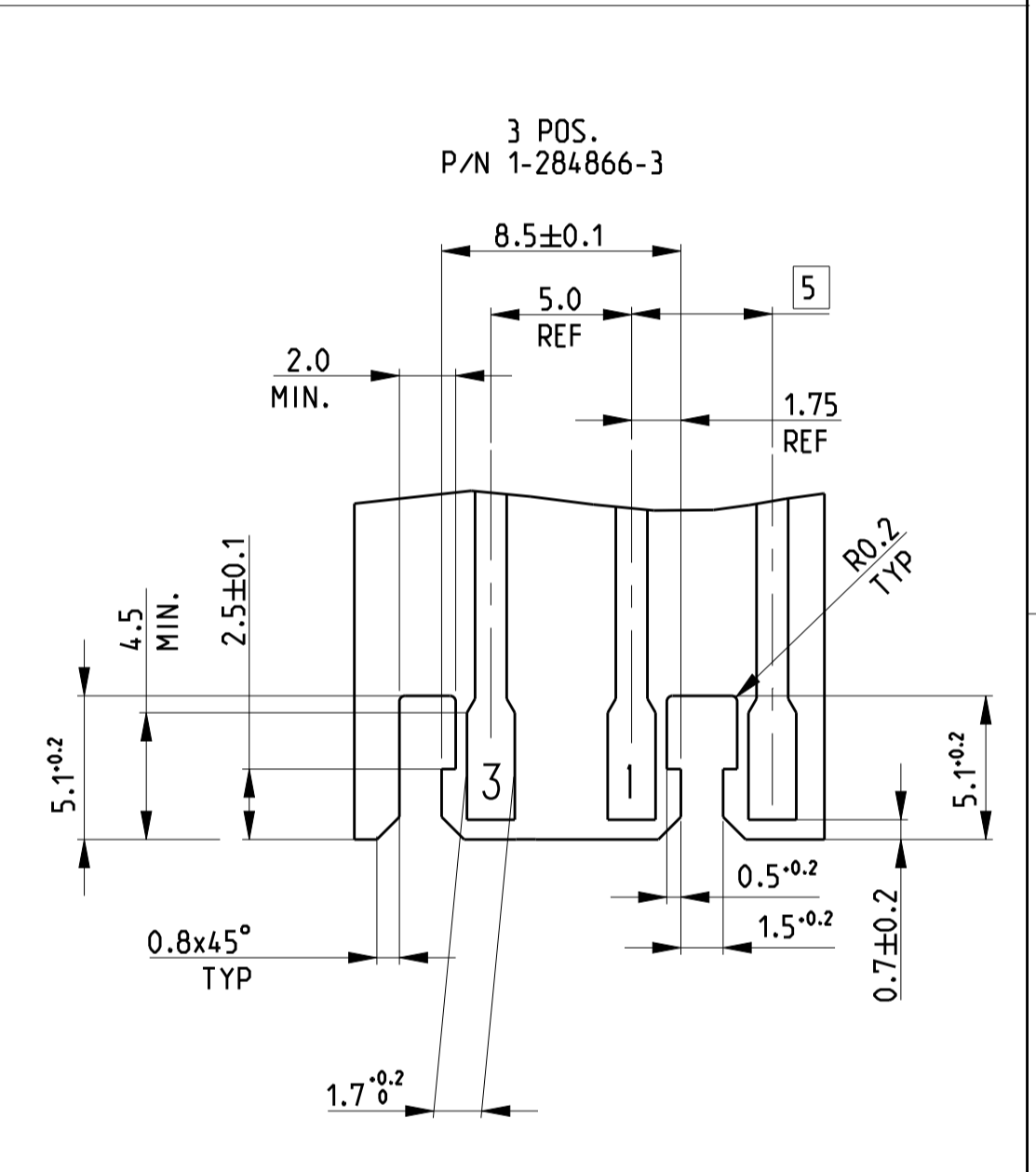
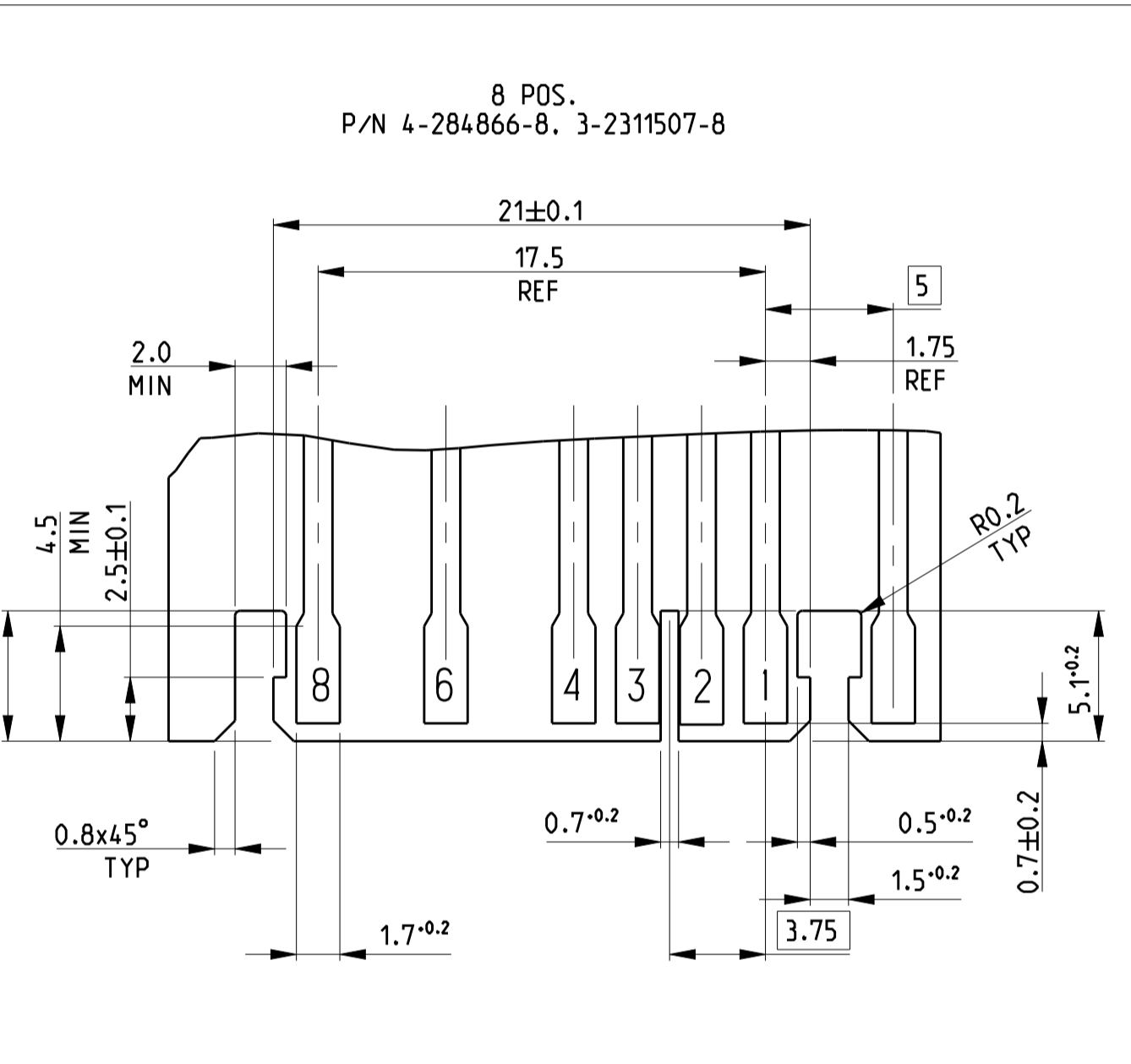
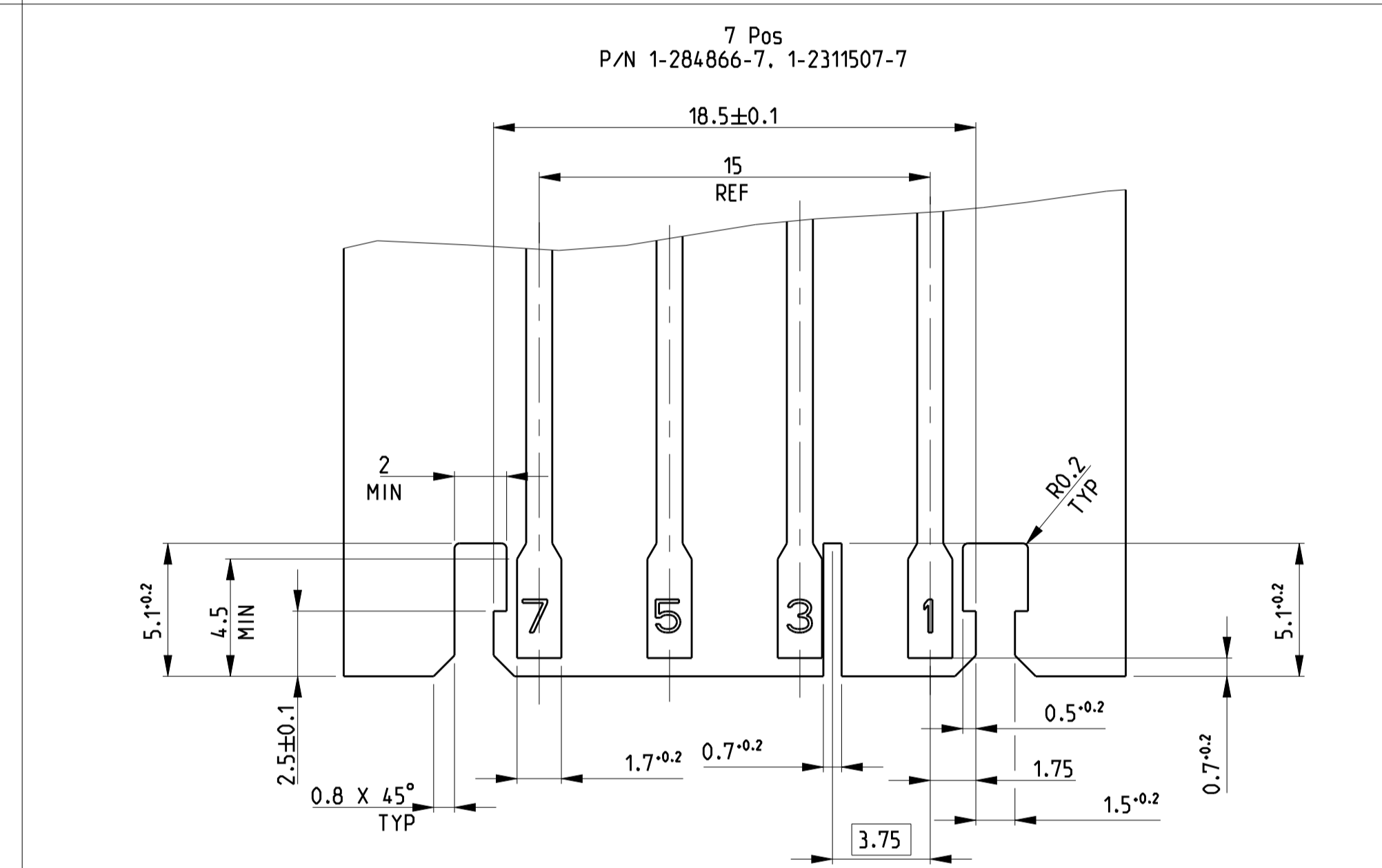
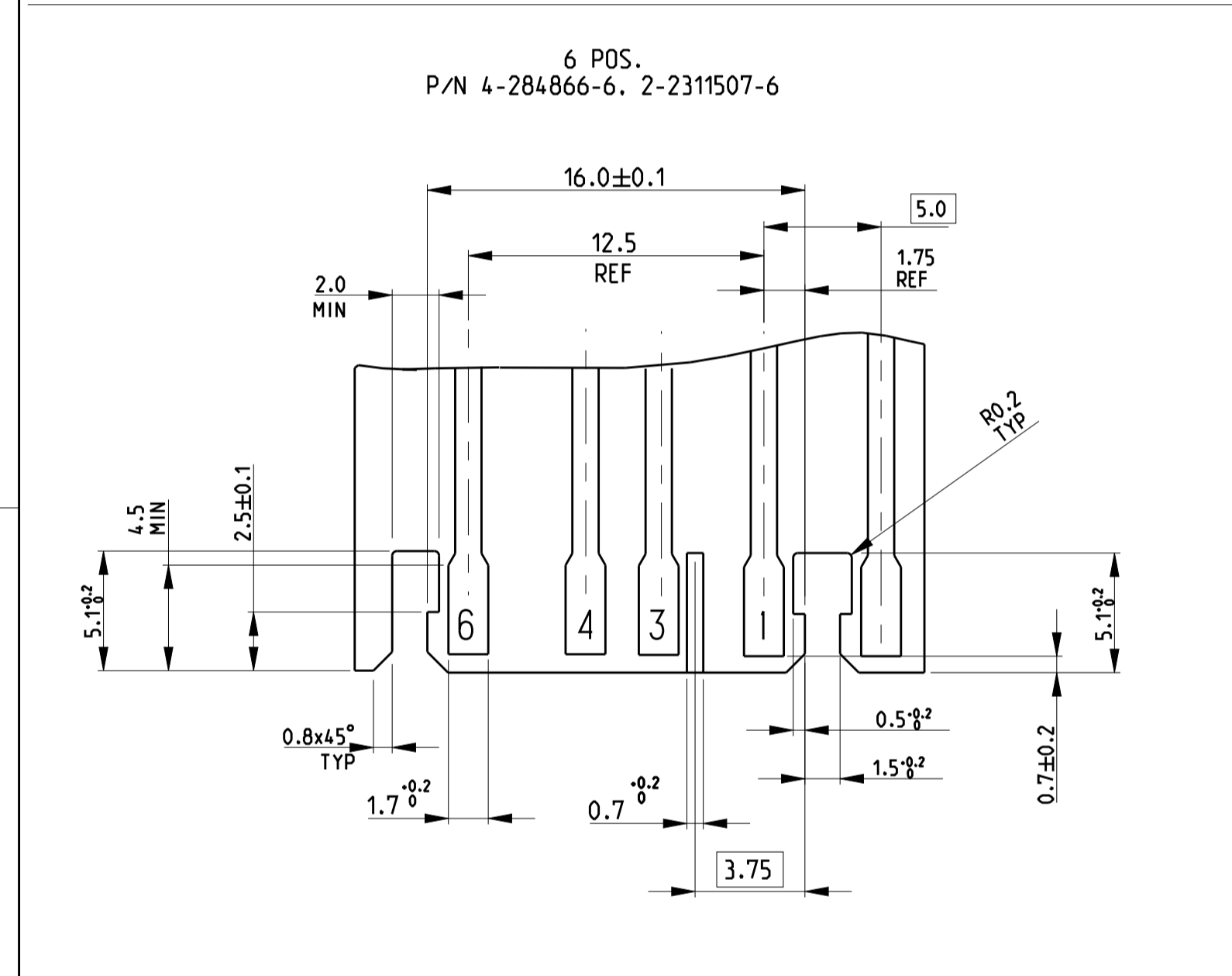
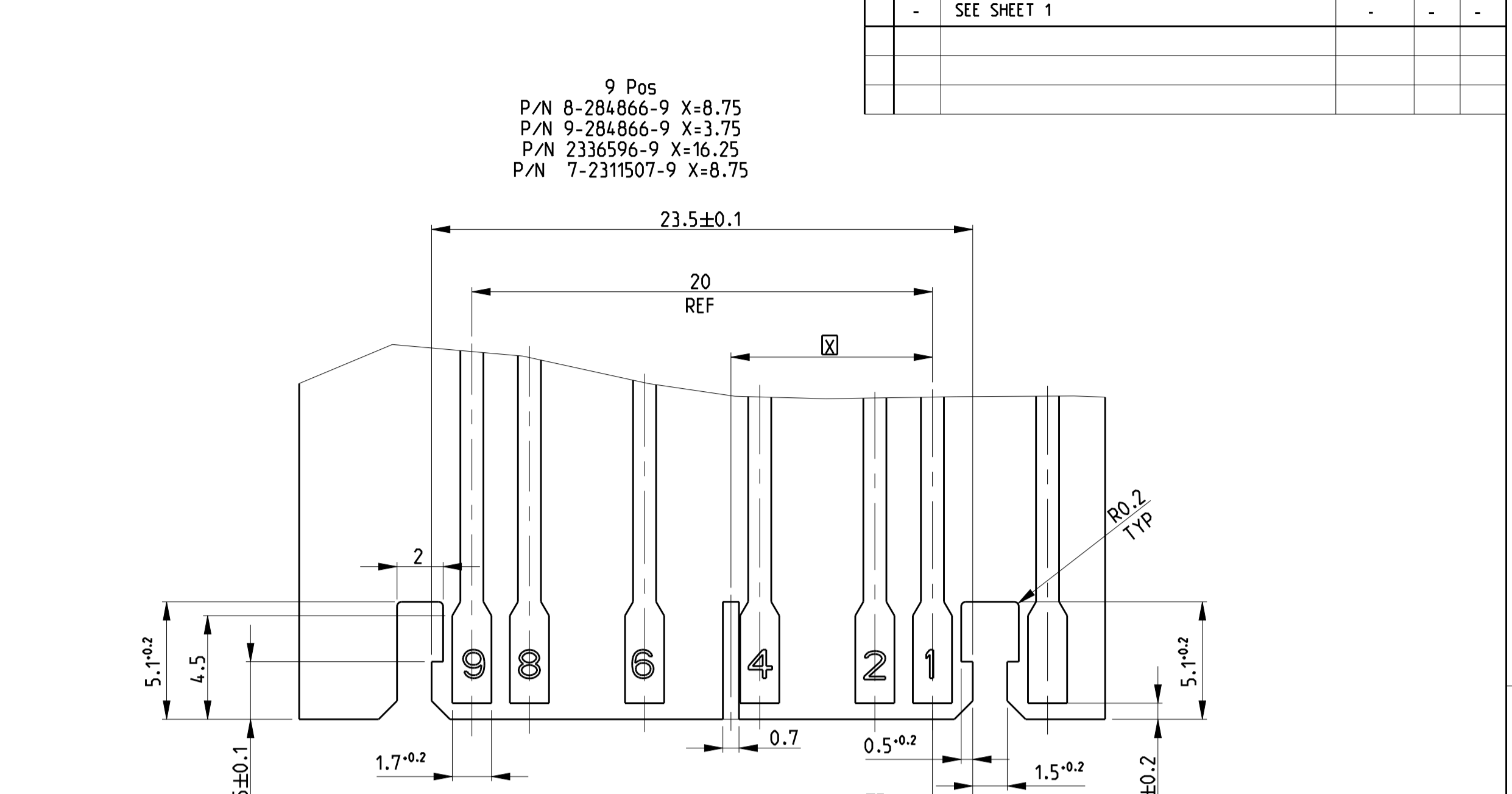
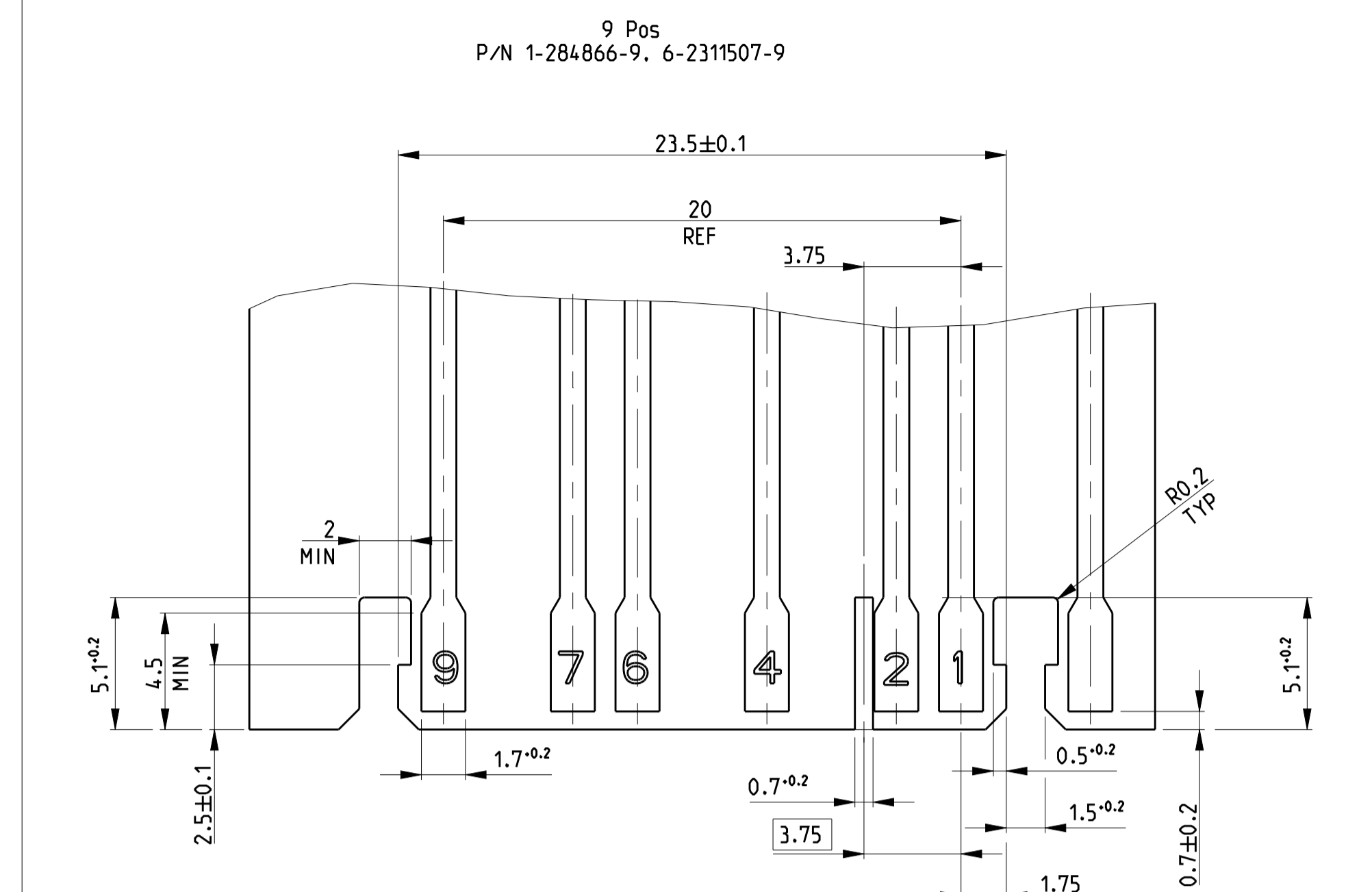
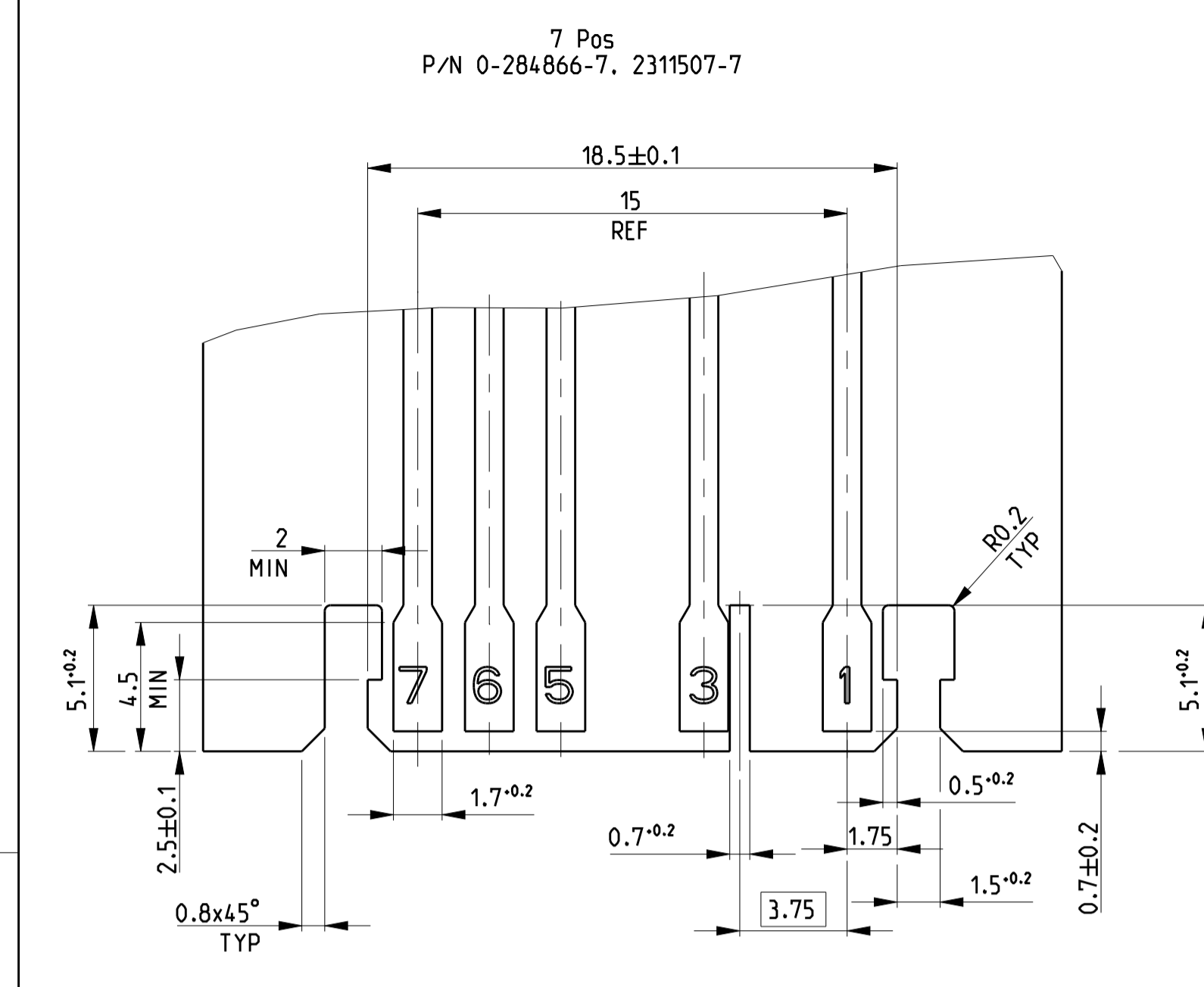


CONNECTION LAYOUT
 E.G P/N 0-284865-4
 (SCALE 4:1)



THIS DRAWING IS A CONTROLLED DOCUMENT.		OWN: R. FABRIS	03JUL2002
DIMENSIONS: mm		CHK: -	NAME: DUOPLUG 2.5 FEMALE CONN., SIDE LOCKING, KEYED (SELECTIVELY LOADED CONTACTS)
TOLERANCES UNLESS OTHERWISE SPECIFIED:		APVD: F. TURCO	PRODUCT SPEC: 108-20238
MATERIAL: SEE TABLE		FINISH: SEE TABLE	APPLICATION SPEC: 116-18049-1
WEIGHT: -		SIZE: A1	CAGE CODE: 00779
CUSTOMER DRAWING		SCALE: 6:1	SHEET: 3 OF 5

REVISIONS				
P	LTR	DESCRIPTION	DATE	DWN APVD
-	-	SEE SHEET 1	-	-



THIS DRAWING IS A CONTROLLED DOCUMENT. DWN R. FABRIS 03JUL2002
 CHK -
 DIMENSIONS: mm
 TOLERANCES UNLESS OTHERWISE SPECIFIED:
 0 PLC # # # #
 1 PLC # # # #
 2 PLC # # # #
 3 PLC # # # #
 4 PLC # # # #
 5 PLC # # # #
 ANGLES # # # #
 FINISH # # # #

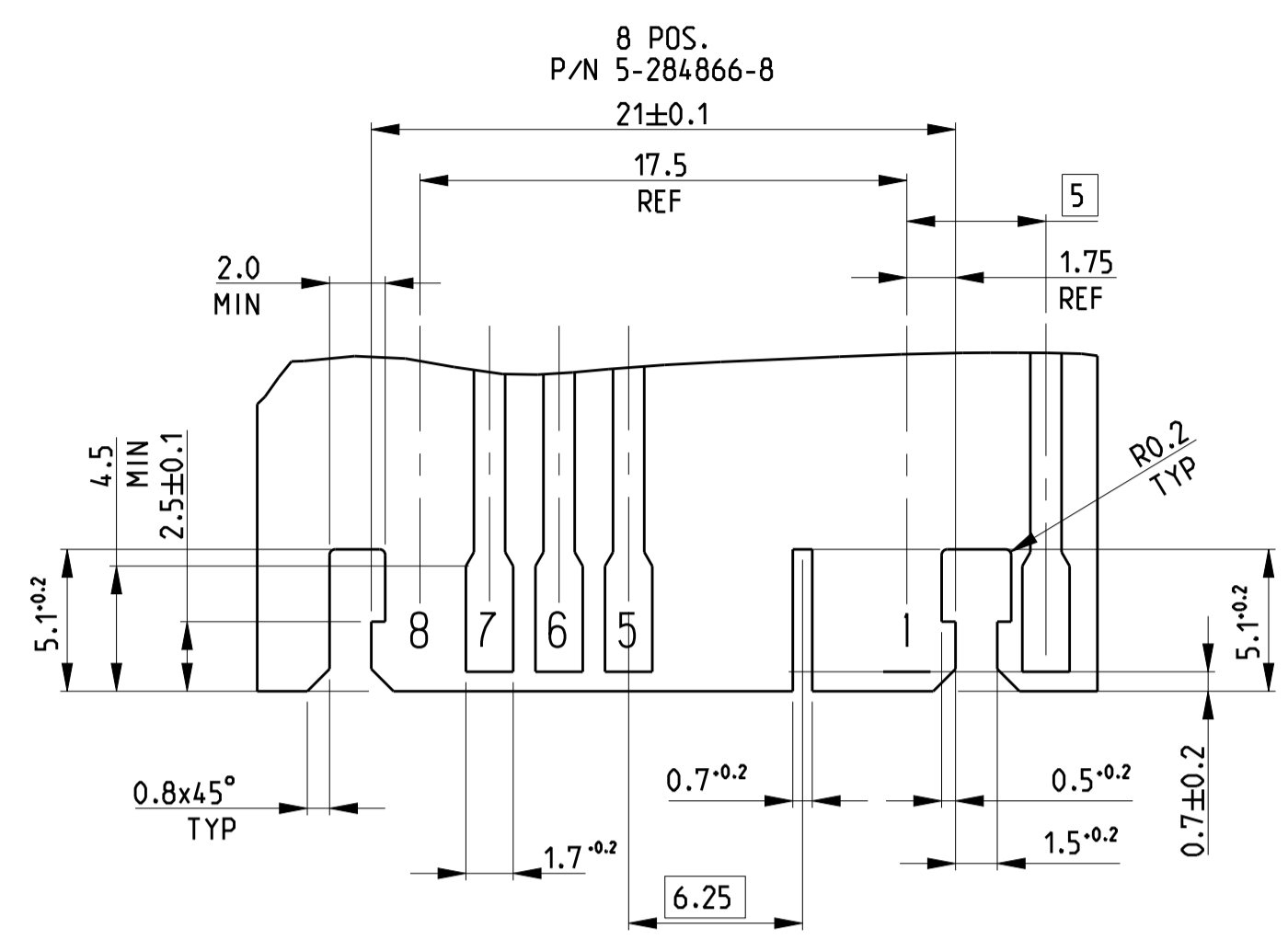
MATERIAL SEE TABLE
 WEIGHT -
 CUSTOMER DRAWING


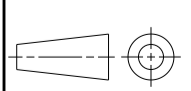
APVD E. TURCO
 PRODUCT SPEC
 108-20238
 APPLICATION SPEC
 116-18049-1
 NAME DUOPLUG 2.5 FEMALE CONN., SIDE LOCKING, KEYED (SELECTIVELY LOADED CONTACTS)
 SIZE CAGE CODE DRAWING NO RESTRICTED TO
 A1 00779 C=284866

SCALE 10:1 SHEET 4 of 5

THIS DRAWING IS UNPUBLISHED. RELEASED FOR PUBLICATION 2002
 © COPYRIGHT 2002 ALL RIGHTS RESERVED.

REVISIONS				
P	LTR	DESCRIPTION	DATE	APVD
-		SEE SHEET 1	-	-



THIS DRAWING IS A CONTROLLED DOCUMENT.		DWN R. FABRIS 03JUL2002	 TE Connectivity
DIMENSIONS: mm		CHK -	
	TOLERANCES UNLESS OTHERWISE SPECIFIED:	APVD G. TURCO	NAME DUOPLUG 2.5 FEMALE CONN., SIDE LOCKING, KEYED (SELECTIVELY LOADED CONTACTS)
	0 PLC ±	PRODUCT SPEC	108-20238
	1 PLC ±	APPLICATION SPEC	116-18049-1
	2 PLC ±	SIZE CAGE CODE DRAWING NO	A 1 00779 C=284866
MATERIAL SEE TABLE	FINISH SEE TABLE	WEIGHT -	RESTRICTED TO
CUSTOMER DRAWING		SCALE 10:1	SHEET 5 OF 5 REV B20