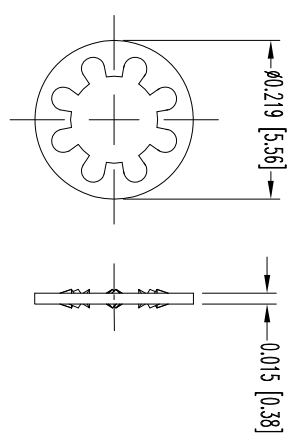


THIS DRAWING CONTAINS INFORMATION PROPRIETARY TO POSITRONIC INDUSTRIES INC. AND IS THE PROPERTY OF POSITRONIC INDUSTRIES INC. IT IS TO BE USED ONLY FOR THE PURPOSES SPECIFIED IN THE DRAWING. THE USER EMPLOYS SUCH INFORMATION AT HIS OWN DISCRETION. POSITRONIC INDUSTRIES INC. DOES NOT WARRANT THE RESULTS OBTAINED OR DAMAGES INCURRED FROM USE OF SUCH INFORMATION IN WHOLE OR IN PART.

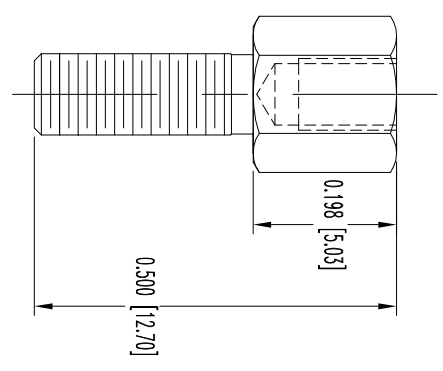
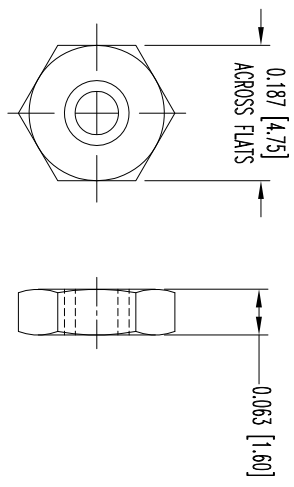
DATE	REV	REVISION RECORD	APP	DR	CK
8-1-00	A	ECO 16602	RCW	MR	TK
8-12-09	B	ECO 31414	RCW	BS	TK

SK2299

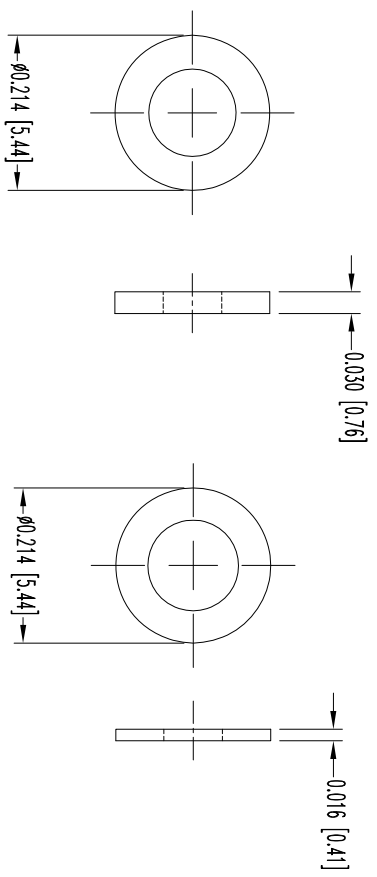
LOCKWASHER



HEX NUT



T2 JACKSCREWS



WASHER

WASHER

- NOTES:
1. MATERIALS AND FINISHES:  
T2 JACKSCREW-STEEL, ZINC PLATE WITH CHROMATE SEAL.  
WASHERS-STAINLESS STEEL, PASSIVATED.  
HEXNUT AND LOCKWASHER-COPPER ALLOY, ZINC PLATE WITH DICHROMATE SEAL.
  2. THIS KIT CONSIST OF: 2 JACKSCREWS, 2 LOCKWASHERS, 2 0.030 [0.76] THICK WASHERS, 2 0.016 [0.41] THICK WASHERS, AND 2 HEX NUTS.
  3. DIMENSIONS ARE IN INCHES (MILLIMETERS).

**POSITRONIC INDUSTRIES INC.**  
www.connectpositronic.com  
FSCM 28198

DECIMAL TOL. ± 0.015 (0.38)	SCALE N.T.S.	DRAWN BY M. ENVA
ANGULAR TOL. ± 5°	TITLE D SERIES	APPROVED BY R WILLIAMS
DATE 8-1-00	DRAWING NUMBER D00000T20	REV. B
	SK2299	