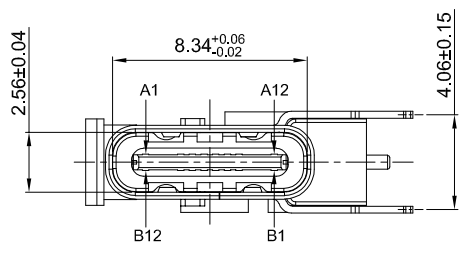
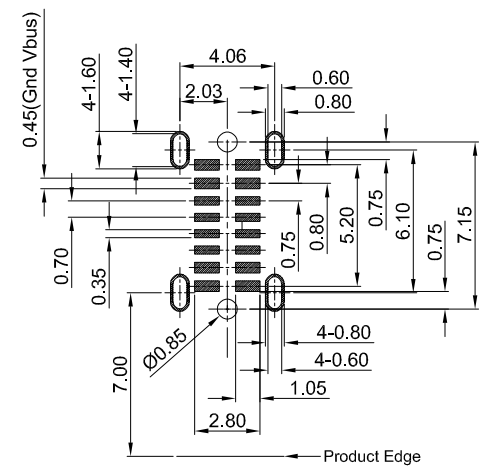


G-Switch USB-C Specification:

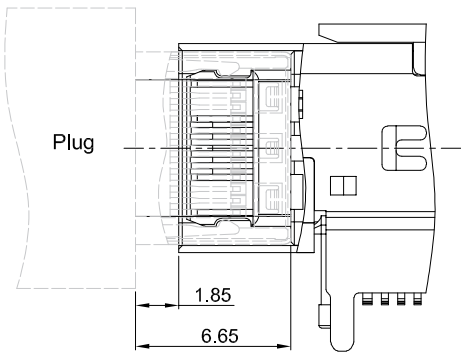
1. Current rated: 5A on vbus/1.25A on vconn/0.25A on other
Voltage rating: 24V AC
2. Withstanding voltage: 100V AC/minute
3. Contact resistance: 40mΩ Max
4. Insulation resistance: 100MΩ Min
5. Operating temperature: -40°C ~ +85°C
6. Mating force: 5N~20N
7. Unmating force: 8N~20N, after durability test: 6N~20N
8. Durability cycle: 10,000 cycles
9. Compliant with: IEC62680-1-3



B12	A1
B9	A4
B8	A5
B7	A6
B6	A7
B5	A8
B4	A9
B1	A12



RECOMMENDED PCB LAYOUT
TOLERANCE: ±0.05



AFTER MATING

A1	A2	A3	A4	A5	A6	A7	A8	A9	A10	A11	A12
GND			VBUS	CC1	D+	D-	SBU1	VBUS			GND
First			First	Second	Second	Second	Second	First			First

B12	B11	B10	B9	B8	B7	B6	B5	B4	B3	B2	B1
GND			VBUS	SBU2	D-	D+	CC2	VBUS			GND
First			First	Second	Second	Second	Second	First			First

NO.	PARTS	MATERIAL	REMARKS
1	SHELL	STAINLESS STEEL304	Ni30u"MIN PLATED
2	MID PLATE	STAINLESS STEEL301	CLEAR ONLY
3	HOUSING	HIGH TEMPERATURE PLASTIC	LCP BLACK UL 94 V-0
4	TERMINALS	COPPER ALLOY C7025	Au1u" PLATING ON CONTACT AREA TiN30u"MIN PLATING ON SOLDER AREA



SCALE: 1:1	UNIT: mm	Title: Horizontal Type-c 16P Female SMT Pad 2.23 CH=6.7 L=14.0mm			
SIZE: A4		Molde Code: GT-USB-9094B			
Unless otherwise General Tolerance:		DRAWN	CHECKED	APPROVED	DATE
X.	±0.40	Xla	Chen	Chen	2024.03.10
X.x	±0.30				
X.xx	±0.20				
X.xxx	±0.10				
X"	±5°				



REV: A0	SHEET: 1/1
---------	------------