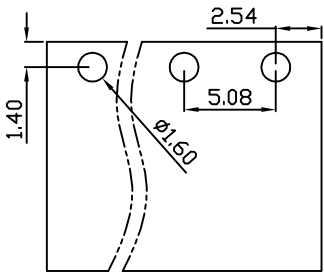
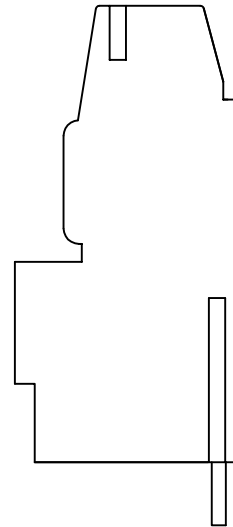
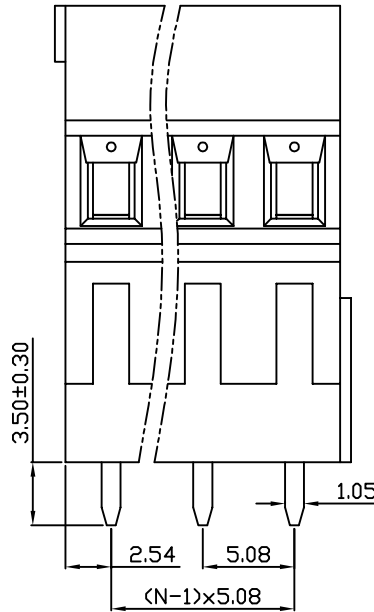
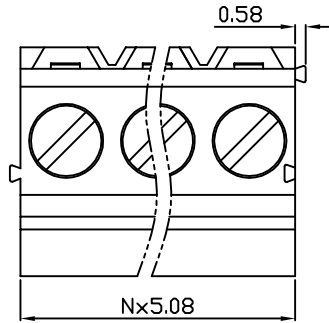
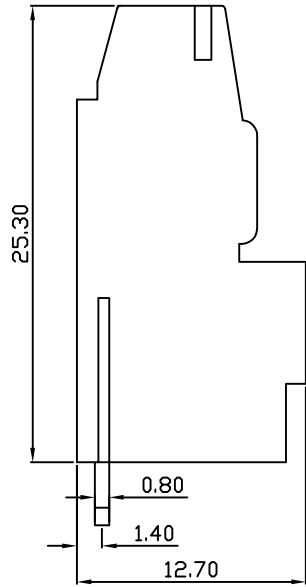


linear dimension(Tolerances Standard GB/T 14486-2008)								—	$\nabla$	$\perp$
variable range	to 6	over 6 to 10	over 10 to 30	over 30 to 60	over 60 to 100	over 100 to 160	over 160 to	to 10	over 10 to 100	over 100 to
tolerance	±0.20	±0.30	±0.50	±0.70	±1.00	±1.30	±1.60	0.10	0.30	0.60



PCB Layout



DB128H — 5.08 — XXP — C — S/P  
 (Series No.) (Pitch) (Poles) Slotted/Phillips  
 (Color):GN:(Green), BK:(Black), BU:(Blue), RD:(Red), GY:(Gray)  
 OG:(Orange), WT:(White), YL:(Yellow), CR:(Clear)

APPD: JTING Chen 2022.11.25  
 CHKD: Duck Mao 2022.11.25  
 DRFT: Steven Lu 2022.11.25

UL/CUL 技术参数	UL/CUL Technical Data			cRUus		
等级 Use Group	B	C	D			
额定电压 Rated Voltage [V]	300	-	300			
额定电流 Rated Current [A]	16	-	10			
接线范围 Wire Range	22-12					
单/多芯线 Solid/Stranded [AWG]						
耐电压 Withstanding Voltage	1600V/1Min					
IEC 技术参数						
IEC Technical Data						
过电压类别 Overvoltage Category	III	III	II			
污染等级 Contamination Class	3	2	2			
额定电压 Rated Voltage [V]	250	400	630			
额定电流 Rated Current [A]	20	20	20			
额定冲击电压 Impulse withstand voltagea [KV]	4	4	4			
导线截面积 Conductor cross section	2.5					
硬质/柔性导线 Solid/flexible [mm <sup>2</sup> ]						
材料 Material						
绝缘材料 Insulation Material	PA66					
阻燃等级 Imflammability	UL94V-0					
导体材料 Contactor Material	铜合金 Copper alloy					
导体表面镀层 Contactive Coating	镀锡 Sn Plated					
一般参数 Other Data						
间距 Pitch [mm]	5.08					
极数 Poles [P]	02~24					
剥线长度 Stripping Length [mm]	6-7					
螺丝 Screw/扭矩 Torque(Max) [N.m]	M2.5/0.4					
工作温度 Operating temperatur [°C]	-40~+105					
引针尺寸 Pin Dimensions [mm]	0.80x1.05					
PCB板孔径 PCB Hole Diameter [mm]	1.60					

**DORABO**

宁波地博电气有限公司  
 Ningbo Dorabo Electric CO., Ltd

NAME:

DB128H-5.08-XXP-C-S



SIZE: A4

mm (inch)

REV T0-1

TYPE: CUSTOMER\_DRAWING

SCALE: 1:1

SHEET 1/1