

VALVE CONNECTORS DT-SERIES

Nomenclature

DT06 - 2 S L - A / K1 / 0.75 / 2m

Type

DT06 = Housing for socket contacts
DT04 = Housing for plug contacts

No of pos.

2 = 2-pos.
3 = 3-pos.
4 = 4-pos.
6 = 6-pos.
8 = 8-pos. A-coding
12 = 12-pos. A-coding

Type

S = Socket contacts/Plug housing
P = Plug contacts/Receptacle housing

Cable style

= Cable
L = Single wire (only 2-pos. version)

Termination protection tube

= Standard
G = Thread M12x1

Protection circuit

A = without protection circuit
B = with protection circuit Suppressor diode max. 12 V AC/24 V DC
E = with protection circuit Varistor max. 24 V AC/30 V DC
F = with protection circuit Freewheeling diode max. 32 V DC
G = with protection circuit Suppressor diode max. 22 V AC/32 V DC

Material cable

K1 = TPU, black, highflexible, halogenfree, UL
A1 = PVC single wire

Wire cross section

0.75 = 0.75 mm²
other types upon request

Cable length

2m = 2 meter
5m = 5 meter
10m = 10 meter

VALVE CONNECTORS DT-SERIES

Product specification

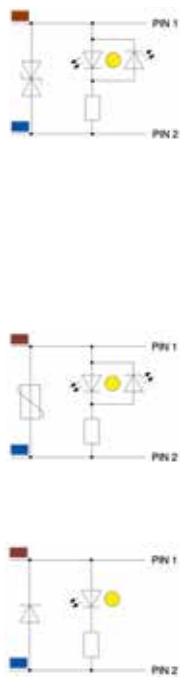
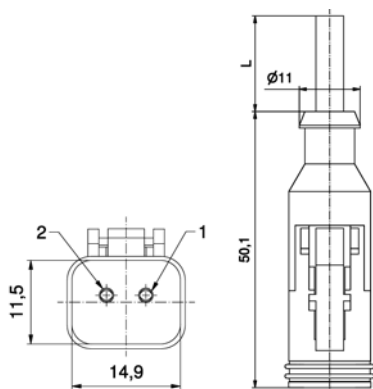
Basic material	
Contact	Copper alloy
Contact plating	Ni
Contact carrier	Thermoplast
Overmould	TPU, UL94, translucent
Sealing	Silicone
Technical Data	
Rated voltage	with LED and protection circuit [B]: max. 12 V AC/ 24 V DC with LED and protection circuit [E]: max. 24 V AC/30 V DC with LED and protection circuit [F]: max. 32 V DC with LED and protection circuit [G]: max. 22 V AC/32 V DC without protection circuit: 10 - 230 AC/DC
Current rating	max. 8 A at 40 °C [2-, 3-pos.] 7 A at 40 °C [4-pos.] 6 A at 40 °C [6-, 8-pos.] 5 A at 40 °C [12-pos.]
Degree of protection	IP67 / IP69K in mated condition
Temperature range connectors	-40 °C to +85 °C
Temperature range cable	Fixed installation: -40 °C to +80 °C Flexible installation: -25 °C to +80 °C
Temperature range single wire	Fixed installation: -40 °C to +105 °C Flexible installation: -10 °C to +105 °C
Terminal cross section	0.75 mm ² /AWG 18
Housing	Deutsch DT06/DT04
Protection circuit	Suppressor diode + 2x LED yellow Varistor + 2x LED yellow Freewheeling diode + LED yellow

VALVE CONNECTORS
DT-Series

DT06, 2-pos.
Socket contacts

LED-protection circuit

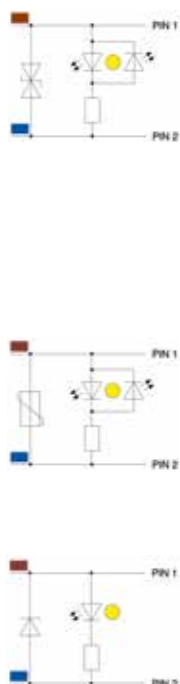
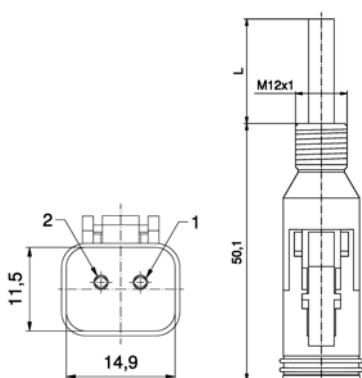
Contact assignment



No. of poles	Type of protection circuit	Rated voltage [A]	Current rating [A]	Cable length = L [m]	Cable quality	Wire cross section [mm ²]	Description	Part No.
2	B	12 V AC / 24 V DC	8	2	PUR	2 x 0,75	DT06-2S-B/K1/0.75/2m	55-00376
				5			DT06-2S-B/K1/0.75/5m	55-00377
				10			DT06-2S-B/K1/0.75/10m	55-00378
	G	8 - 22 V AC / 32 V DC	4	2	PUR	2 x 0,75	DT06-2S-G/K1/0.75/2m	55-00760
				5			DT06-2S-G/K1/0.75/5m	55-00761
				10			DT06-2S-G/K1/0.75/10m	55-00762
	E	8 - 24 V AC / 30 V DC	4	2	PUR	2 x 0,75	DT06-2S-E/K1/0.75/2m	55-00687
				5			DT06-2S-E/K1/0.75/5m	55-00688
				10			DT06-2S-E/K1/0.75/10m	55-00689
	F	10 - 32 V DC	4	2	PUR	2 x 0,75	DT06-2S-F/K1/0.75/2m	55-00690
				5			DT06-2S-F/K1/0.75/5m	55-00691
				10			DT06-2S-F/K1/0.75/10m	55-00692

Types of protection circuit DT06 (2-, 3-pos.):
 • B/G= Suppressordiode + 2x LED yellow
 • E= Varistor + 2x LED yellow
 • F= Freewheeling Diode + LED yellow
 Technical information look at page 56 + 57

LED-protection circuit, M12 thread



2	B	12 V AC / 24 V DC	8	2	PUR	2 x 0,75	DT06-2SG-B/K1/0.75/2m	55-00379
				5			DT06-2SG-B/K1/0.75/5m	55-00380
				10			DT06-2SG-B/K1/0.75/10m	55-00381
	G	8 - 22 V AC / 32 V DC	4	2	PUR	2 x 0,75	DT06-2SG-G/K1/0.75/2m	55-00763
				5			DT06-2SG-G/K1/0.75/5m	55-00764
				10			DT06-2SG-G/K1/0.75/10m	55-00765
	E	8 - 24 V AC / 30 V DC	4	2	PUR	2 x 0,75	DT06-2SG-E/K1/0.75/2m	55-00700
				5			DT06-2SG-E/K1/0.75/5m	55-00701
				10			DT06-2SG-E/K1/0.75/10m	55-00702
	F	10 - 32 V DC	4	2	PUR	2 x 0,75	DT06-2SG-F/K1/0.75/2m	55-00703
				5			DT06-2SG-F/K1/0.75/5m	55-00704
				10			DT06-2SG-F/K1/0.75/10m	55-00705

VALVE CONNECTORS
DT-Series

DT06, 2-pos.
Socket contacts


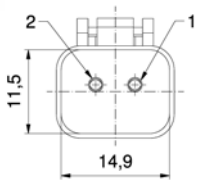
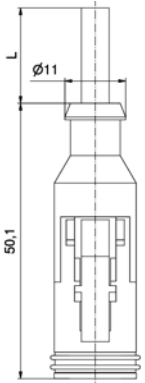
Without LED-protection circuit

Contact assignment


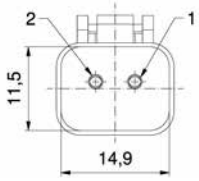
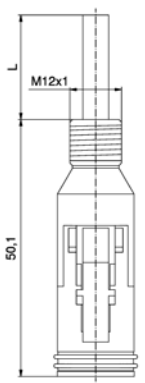
No. of poles
Rated voltage [A]
Current rating [A]
Cable length = L [m]
Cable quality
Wire cross section [mm²]

Description

Part No.

   <p>PIN 1 ■ PIN 2 ■</p>	2	10 - 230 V AC/ DC	8	5	PUR	2 x 0,75	2	DT06-2S-A/K1/0.75/2m	55-00388
							5	DT06-2S-A/K1/0.75/5m	55-00389
							10	DT06-2S-A/K1/0.75/10m	55-00390

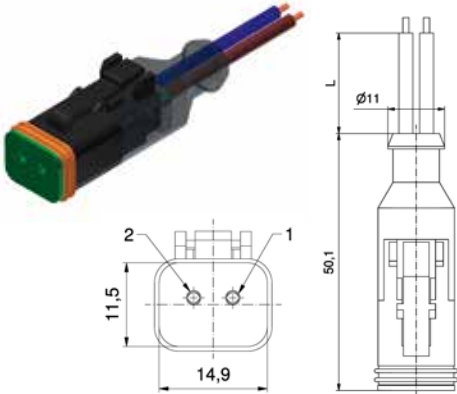
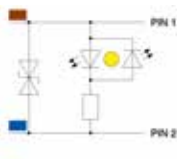
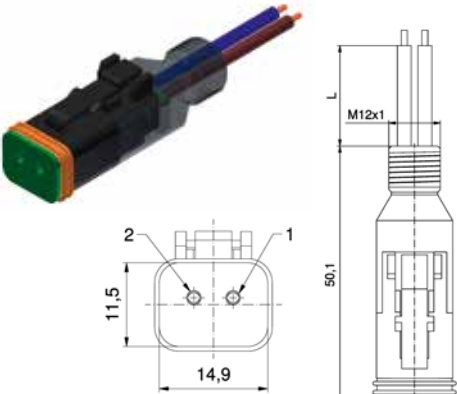
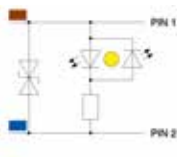
Without LED-protection circuit, M12 thread

   <p>PIN 1 ■ PIN 2 ■</p>	2	10 - 230 V AC/ DC	8	5	PUR	2 x 0,75	2	DT06-2SG-A/K1/0.75/2m	55-00391
							5	DT06-2SG-A/K1/0.75/5m	55-00392
							10	DT06-2SG-A/K1/0.75/10m	55-00393

VALVE CONNECTORS
DT-Series

DT06, 2-pos.
Socket contacts, single wire

Type of protection circuit DT06 2-pos. single wire:
• B= Suppressordiode + 2x LED yellow
Additional types of protection circuit upon request
Technical information look at page 56 + 57

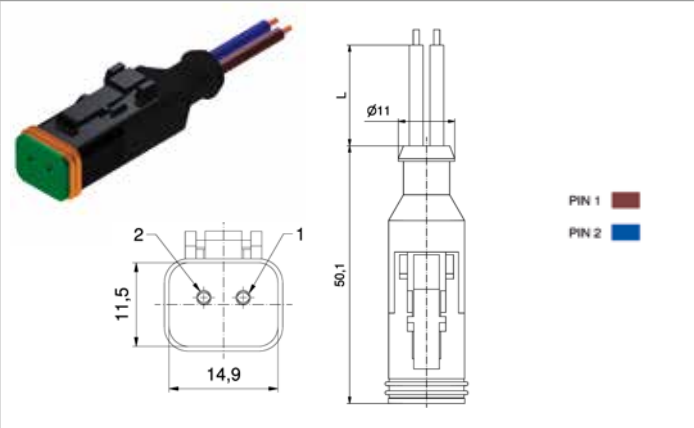
LED-protection circuit		Contact assignment	No. of poles	Type of protection circuit	Rated voltage [A]	Current rating [A]	Wire length = L [m]	Wire quality	Wire cross section [mm ²]	Description	Part No.
		2	B	12 V AC / 24 V DC	8	2	PVC	2 x 0,75	DT06-2SL-B/A1/0.75/0,5m	55-00560	
									DT06-2SL-B/A1/0.75/2m	55-00482	
									DT06-2SL-B/A1/0.75/5m	55-00561	
LED-protection circuit, M12 thread											
		2	B	12 V AC / 24 V DC	8	2	PVC	2 x 0,75	DT06-2SLG-B/A1/0.75/0,5m	55-00562	
									DT06-2SLG-B/A1/0.75/2m	55-00483	
									DT06-2SLG-B/A1/0.75/5m	55-00563	

VALVE CONNECTORS
DT-Series

DT06, 2-pos.
Socket contacts, single wire

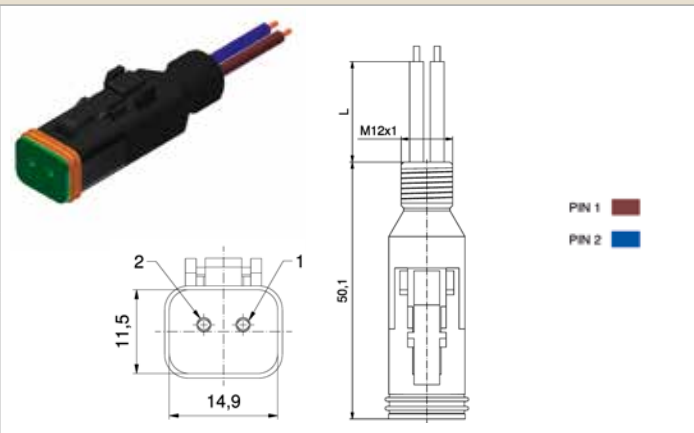
Without LED-protection circuit

Contact assignment



No. of poles	Rated voltage [A]	Current rating [A]	Wire length = L [m]	Wire quality	Wire cross section [mm ²]	Description	Part No.
2	10 - 230 V AC/ DC	8	2	PVC	2 x 0,75	DT06-2SL-A/A1/0.75/0,5m	55-00564
						DT06-2SL-A/A1/0.75/2m	55-00565
						DT06-2SL-A/A1/0.75/5m	55-00566

Without LED-protection circuit, M12 thread

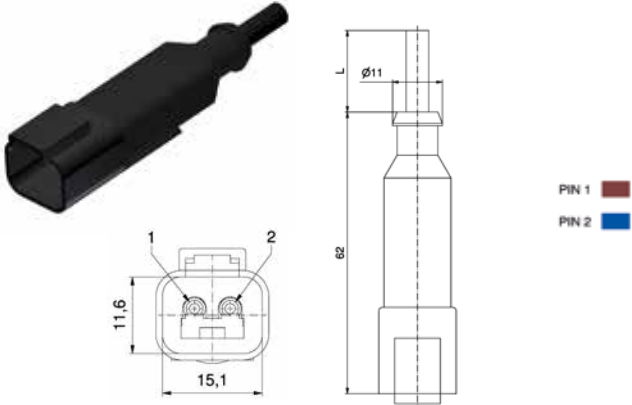
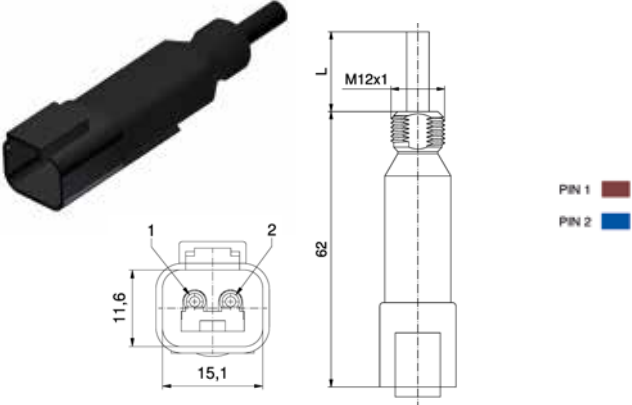


2	10 - 230 V AC/ DC	8	2	PVC	2 x 0,75	DT06-2SLG-A/A1/0.75/0,5m	55-00567
						DT06-2SLG-A/A1/0.75/2m	55-00568
						DT06-2SLG-A/A1/0.75/5m	55-00569

VALVE CONNECTORS
DT-Series

DT04, 2-pos.
Plug contacts

Protection circuits DT04 (2-, 3-pos.) upon request
Technical information look at page 56 + 57

Without LED-protection circuit		Contact assignment	No. of poles	Rated voltage [A]	Current rating [A]	Cable length = L [m]	Cable quality	Wire cross section [mm ²]	Description	Part No.
	2	10 - 230 V AC/ DC	8	5	PUR	2 x 0,75	2	DT04-2P-A/K1/0.75/2m	55-00448	
							5	DT04-2P-A/K1/0.75/5m	55-00449	
							10	DT04-2P-A/K1/0.75/10m	55-00450	
Without LED-protection circuit, M12 thread										
	2	10 - 230 V AC/ DC	8	5	PUR	2 x 0,75	2	DT04-2PG-A/K1/0.75/2m	55-00451	
							5	DT04-2PG-A/K1/0.75/5m	55-00452	
							10	DT04-2PG-A/K1/0.75/10m	55-00453	

VALVE CONNECTORS
DT-Series

DT04, 2-pos.
Plug contacts, single wire

Protection circuits DT04 (2-, 3-pos.) upon request
Technical information look at page 56 + 57

Without LED-protection circuit

Contact assignment

		No. of poles	Rated voltage [A]	Current rating [A]	Wire length = L [m]	Wire quality	Wire cross section [mm ²]	Description	Part No.
	2	10 - 230 V AC/ DC	8	2	PVC	2 x 0,75	0.5	DT04-2PL-A/A1/0.75/0,5m	55-00576
							2	DT04-2PL-A/A1/0.75/2m	55-00577
							5	DT04-2PL-A/A1/0.75/5m	55-00578

Without LED-protection circuit, M12 thread


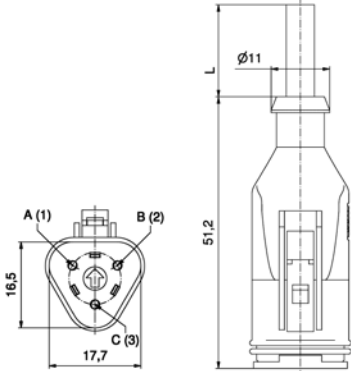
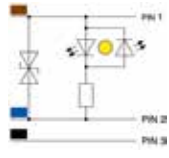
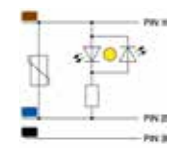
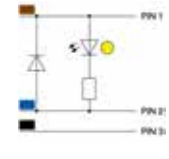

	2	10 - 230 V AC/ DC	8	2	PVC	2 x 0,75	0.5	DT04-2PLG-A/A1/0.75/0,5m	55-00579
							2	DT04-2PLG-A/A1/0.75/2m	55-00580
							5	DT04-2PLG-A/A1/0.75/5m	55-00581

VALVE CONNECTORS
DT-Series


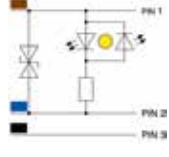
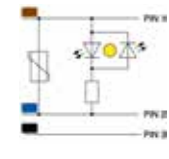
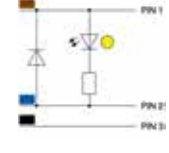

DT06, 3-pos.
Socket contacts

LED-protection circuit

Contact assignment

LED-protection circuit		Contact assignment		No. of poles	Type of protection circuit	Rated voltage [A]	Current rating [A]	Cable length = L [m]	Cable quality	Wire cross section [mm ²]	Description	Part No.
 	   	3	B	12 V AC / 24 V DC	8	2	PUR	3 x 0,75		DT06-3S-B/K1/0.75/2m	55-00850	
						5				DT06-3S-B/K1/0.75/5m	55-00851	
						10				DT06-3S-B/K1/0.75/10m	55-00852	
			G	8 - 22 V AC / 32 V DC	4	2	DT06-3S-G/K1/0.75/2m			55-00772		
						5	DT06-3S-G/K1/0.75/5m			55-00773		
						10	DT06-3S-G/K1/0.75/10m			55-00774		
			E	8 - 24 V AC / 30 V DC	4	2	DT06-3S-E/K1/0.75/2m			55-00720		
						5	DT06-3S-E/K1/0.75/5m			55-00721		
						10	DT06-3S-E/K1/0,75/10m			55-00722		
			F	10 - 32 V DC	4	2	DT06-3S-F/K1/0.75/2m			55-00751		
						5	DT06-3S-F/K1/0.75/5m			55-00752		
						10	DT06-3S-F/K1/0.75/10m			55-00753		

LED-protection circuit, M12 thread

 	   	3	B	12 V AC / 24 V DC	8	2	PUR	3 x 0,75		DT06-3SG-B/K1/0.75/2m	55-00853
						5				DT06-3SG-B/K1/0.75/5m	55-00854
						10				DT06-3SG-B/K1/0.75/10m	55-00855
			G	8 - 22 V AC / 32 V DC	4	2				DT06-3SG-G/K1/0.75/2m	55-00775
						5				DT06-3SG-G/K1/0.75/5m	55-00776
						10				DT06-3SG-G/K1/0.75/10m	55-00777
			E	8 - 24 V AC / 30 V DC	4	2				DT06-3SG-E/K1/0.75/2m	55-00723
						5				DT06-3SG-E/K1/0.75/5m	55-00724
						10				DT06-3SG-E/K1/0,75/10m	55-00725
			F	10 - 32 V DC	4	2				DT06-3SG-F/K1/0.75/2m	55-00754
						5				DT06-3SG-F/K1/0.75/5m	55-00755
						10				DT06-3SG-F/K1/0.75/10m	55-00756

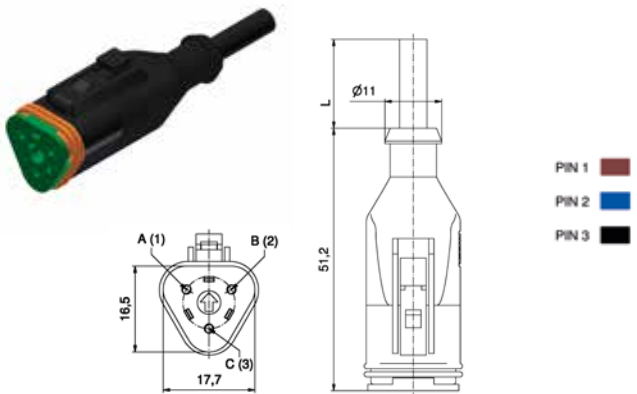
Types of protection circuit DT06 (2-, 3-pos.):
 • B/G= Suppressordiode + 2x LED yellow
 • E= Varistor + 2x LED yellow
 • F= Freewheeling Diode + LED yellow
 Technical information look at page 56 + 57

VALVE CONNECTORS
DT-Series

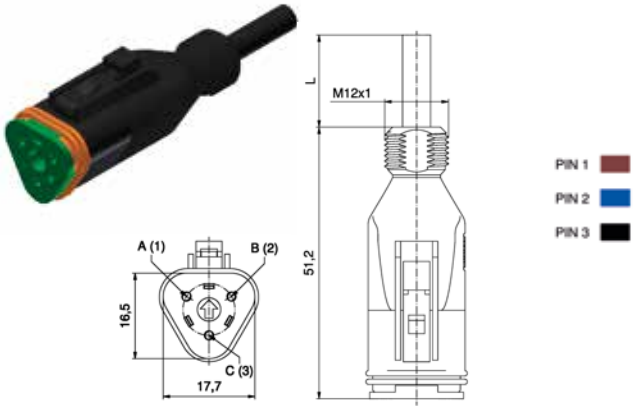
DT06, 3-pos.
Socket contacts

Without LED-protection circuit

Contact assignment

		No. of poles	Rated voltage [A]	Current rating [A]	Cable length = L [m]	Cable quality	Wire cross section [mm ²]	Description	Part No.
	3	10 - 230 V AC/ DC	8	5	PUR	3 x 0,75	2	DT06-3S-A/K1/0.75/2m	55-00826
							5	DT06-3S-A/K1/0.75/5m	55-00827
							10	DT06-3S-A/K1/0.75/10m	55-00828

Without LED-protection circuit, M12 thread

	3	10 - 230 V AC/ DC	8	5	PUR	3 x 0,75	2	DT06-3SG-A/K1/0.75/2m	55-00829
							5	DT06-3SG-A/K1/0.75/5m	55-00830
							10	DT06-3SG-A/K1/0.75/10m	55-00831

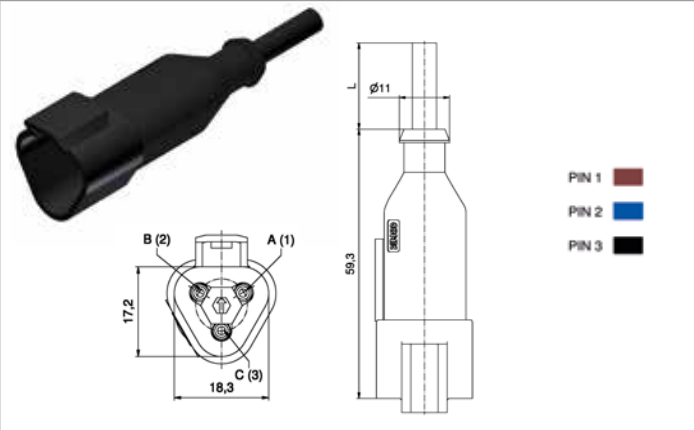
VALVE CONNECTORS
DT-Series

DT04, 3-pos.
Plug contacts

Protection circuits DT04 (2-, 3-pos.) upon request
Technical information look at page 56 + 57

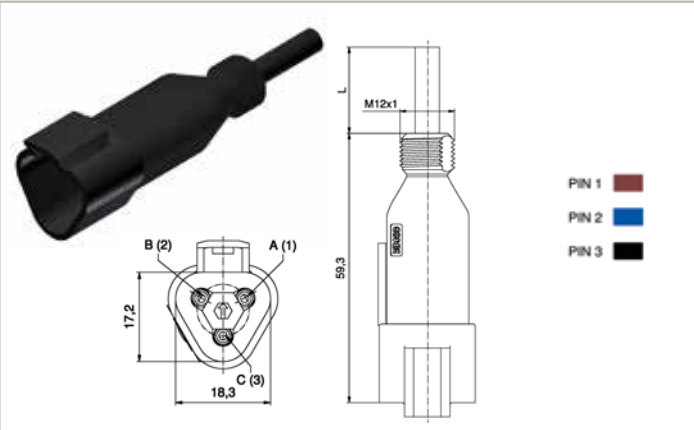
Without LED-protection circuit

Contact assignment



No. of poles	Rated voltage [A]	Current rating [A]	Cable length = L [m]	Cable quality	Wire cross section [mm ²]	Description	Part No.
3	10 - 230 V AC/ DC	8	5	PUR	3 x 0,75	DT04-3P-A/K1/0.75/2m	55-00832
						DT04-3P-A/K1/0.75/5m	55-00833
						DT04-3P-A/K1/0.75/10m	55-00834

Without LED-protection circuit, M12 thread



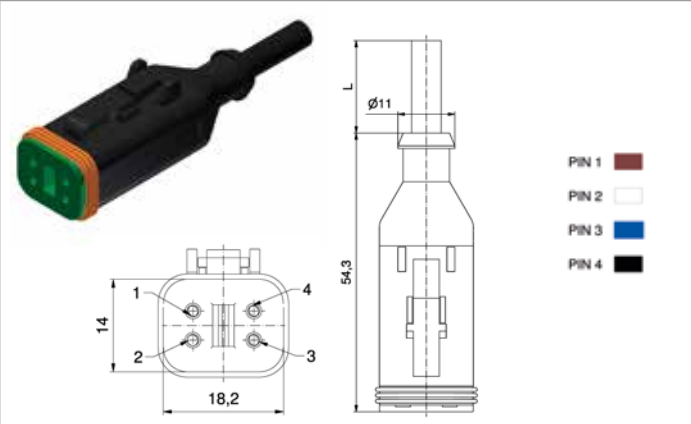
3	10 - 230 V AC/ DC	8	5	PUR	3 x 0,75	DT04-3PG-A/K1/0.75/2m	55-00835
						DT04-3PG-A/K1/0.75/5m	55-00836
						DT04-3PG-A/K1/0.75/10m	55-00837

VALVE CONNECTORS
DT-Series

DT06, 4-pos.
Socket contacts

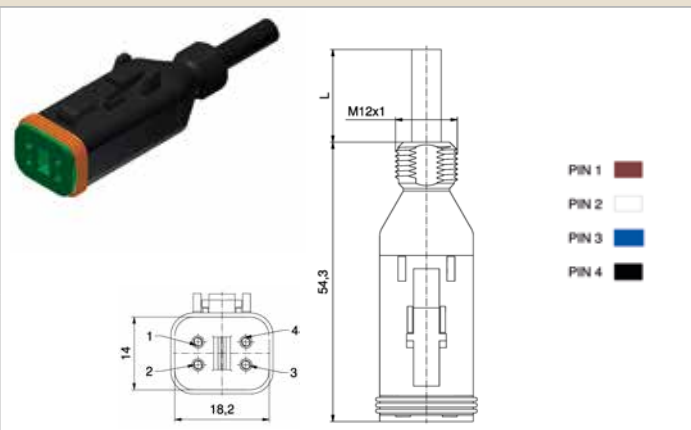
Without LED-protection circuit

Contact assignment



No. of poles	Rated voltage [A]	Current rating [A]	Cable length = L [m]	Cable quality	Wire cross section [mm ²]	Description	Part No.
4	10 - 230 V AC/ DC	7	2	PUR	4 x 0,75	DT06-4S-A/K1/0.75/2m	55-00838
			5			DT06-4S-A/K1/0.75/5m	55-00839
			10			DT06-4S-A/K1/0.75/10m	55-00840

Without LED-protection circuit, M12 thread



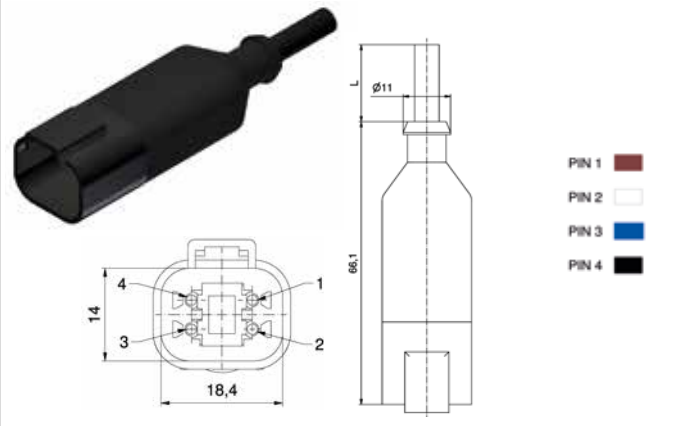
4	10 - 230 V AC/ DC	7	2	PUR	4 x 0,75	DT06-4SG-A/K1/0.75/2m	55-00841
			5			DT06-4SG-A/K1/0.75/5m	55-00842
			10			DT06-4SG-A/K1/0.75/10m	55-00843

VALVE CONNECTORS
DT-Series

DT04, 4-pos.
Plug contacts

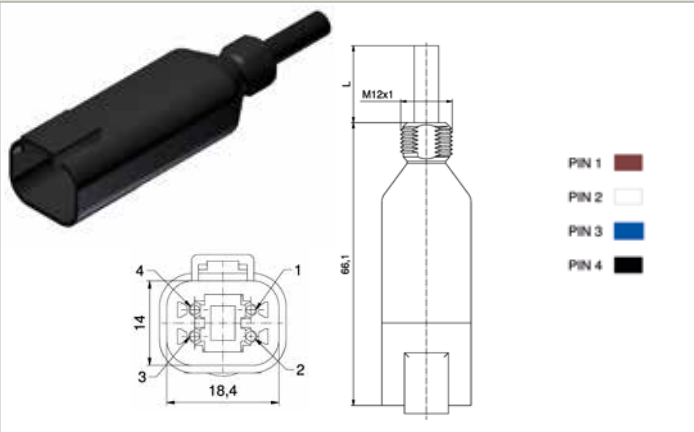
Without LED-protection circuit

Contact assignment



No. of poles	Rated voltage [A]	Current rating [A]	Cable length = L [m]	Cable quality	Wire cross section [mm ²]	Description	Part No.
4	10 - 230 V AC/ DC	7	2	PUR	4 x 0,75	DT04-4P-A/K1/0.75/2m	55-00844
			5			DT04-4P-A/K1/0.75/5m	55-00845
			10			DT04-4P-A/K1/0.75/10m	55-00846

Without LED-protection circuit, M12 thread



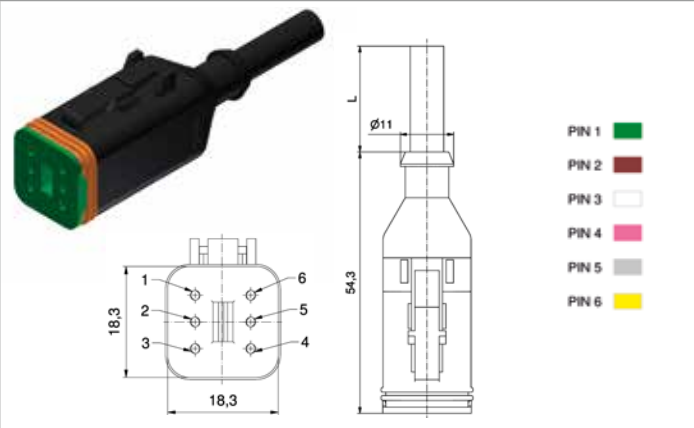
4	10 - 230 V AC/ DC	7	2	PUR	4 x 0,75	DT04-4PG-A/K1/0.75/2m	55-00847
			5			DT04-4PG-A/K1/0.75/5m	55-00848
			10			DT04-4PG-A/K1/0.75/10m	55-00849

VALVE CONNECTORS
DT-Series

DT06, 6-pos.
Socket contacts

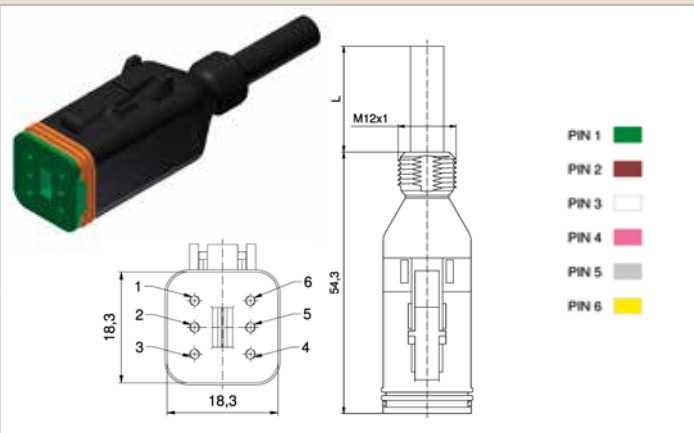
Without LED-protection circuit

Contact assignment



No. of poles	Rated voltage [A]	Current rating [A]	Cable length = L [m]	Cable quality	Wire cross section [mm ²]	Description	Part No.
6	10 - 230 V AC/ DC	6	2	PUR	6 x 0,75	DT06-6S-A/K1/0.75/2m	55-00501
			5			DT06-6S-A/K1/0.75/5m	55-00502
			10			DT06-6S-A/K1/0.75/10m	55-00503

Without LED-protection circuit, M12 thread



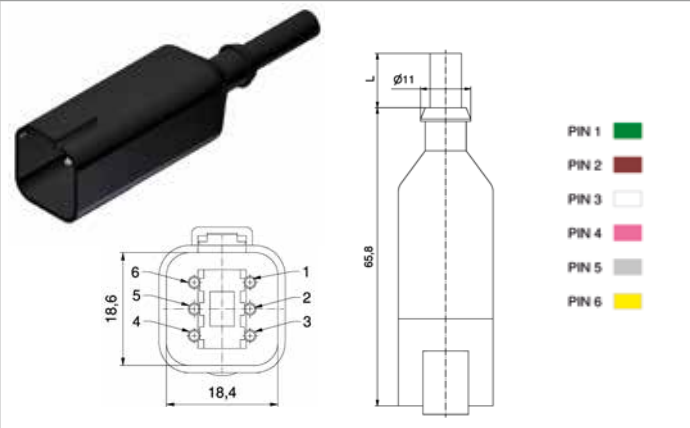
6	10 - 230 V AC/ DC	6	2	PUR	6 x 0,75	DT06-6SG-A/K1/0.75/2m	55-00504
			5			DT06-6SG-A/K1/0.75/5m	55-00505
			10			DT06-6SG-A/K1/0.75/10m	55-00506

VALVE CONNECTORS
DT-Series

DT04, 6-pos.
Plug contacts

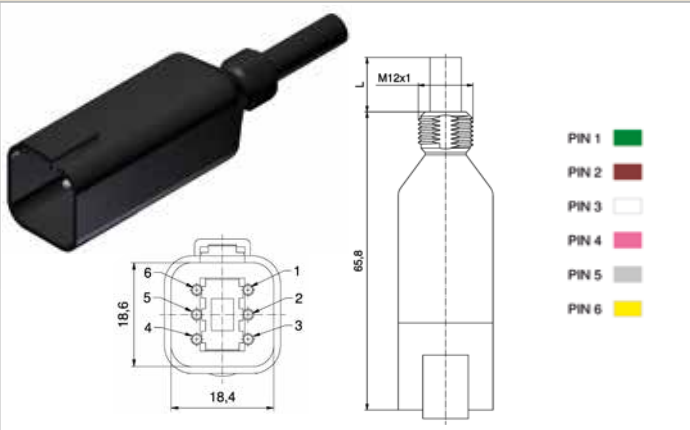
Without LED-protection circuit

Contact assignment



No. of poles	Rated voltage [A]	Current rating [A]	Cable length = L [m]	Cable quality	Wire cross section [mm ²]	Description	Part No.
6	10 - 230 V AC/ DC	6	2	PUR	6 x 0,75	DT04-6P-A/K1/0.75/2m	55-00507
			5			DT04-6P-A/K1/0.75/5m	55-00508
			10			DT04-6P-A/K1/0.75/10m	55-00509

Without LED-protection circuit, M12 thread



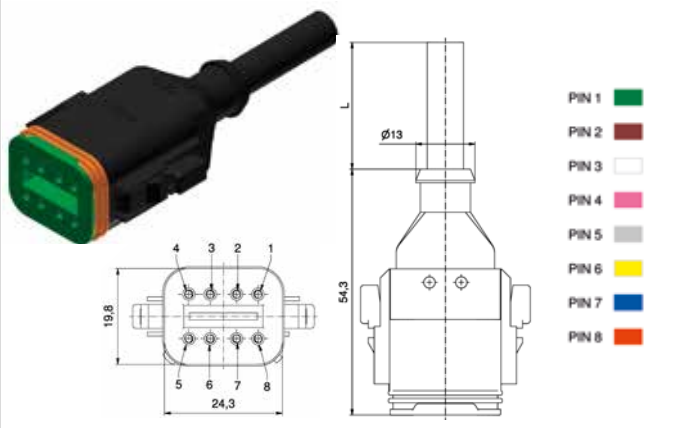
6	10 - 230 V AC/ DC	6	2	PUR	6 x 0,75	DT04-6PG-A/K1/0.75/2m	55-00510
			5			DT04-6PG-A/K1/0.75/5m	55-00511
			10			DT04-6PG-A/K1/0.75/10m	55-00512

VALVE CONNECTORS
DT-Series

DT06, 8-pos.
Socket contacts

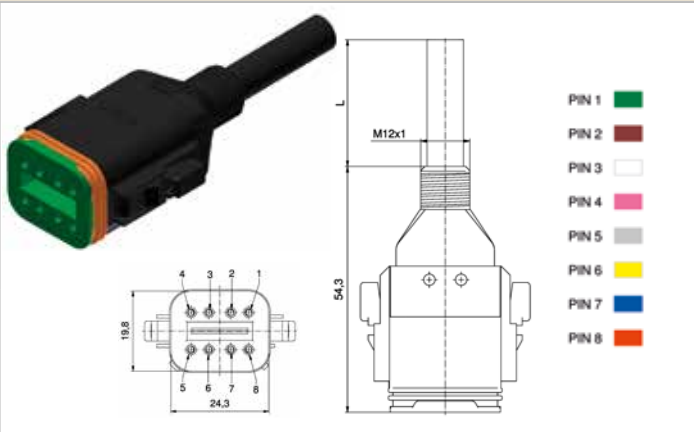
Without LED-protection circuit

Contact assignment



No. of poles	Rated voltage [A]	Current rating [A]	Cable length = L [m]	Cable quality	Wire cross section [mm ²]	Description	Part No.
8	10 - 230 V AC/ DC	6	2	PUR	8 x 0,75	DT06-8AS-A/K1/0.75/2m	55-00526
			5			DT06-8AS-A/K1/0.75/5m	55-00527
			10			DT06-8AS-A/K1/0.75/10m	55-00528

Without LED-protection circuit, M12 thread



8	10 - 230 V AC/ DC	6	2	PUR	8 x 0,75	DT06-8ASG-A/K1/0.75/2m	55-00532
			5			DT06-8ASG-A/K1/0.75/5m	55-00533
			10			DT06-8ASG-A/K1/0.75/10m	55-00534

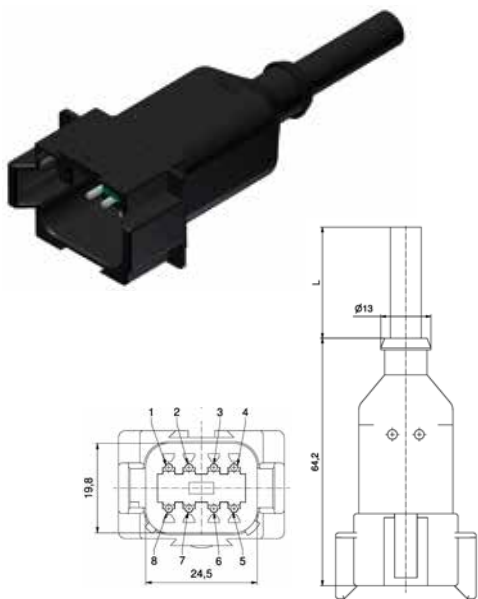
VALVE CONNECTORS
DT-Series

DT04, 8-pos.
Plug contacts

Without LED-protection circuit

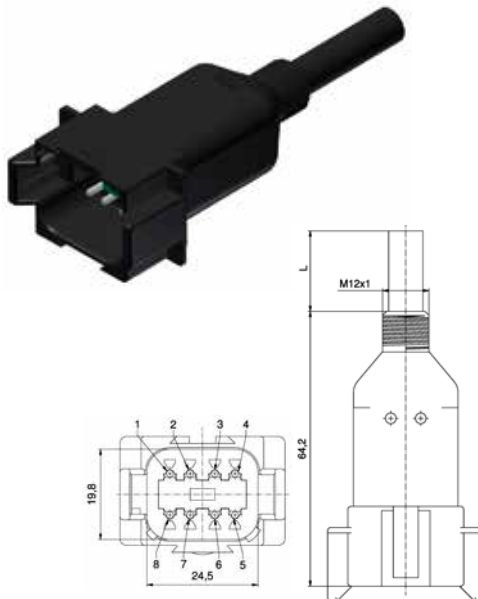
Contact assignment

No. of poles	Rated voltage [A]	Current rating [A]	Cable length = L [m]	Cable quality	Wire cross section [mm ²]	Description	Part No.
8	10 - 230 V AC/ DC	6	5	PUR	8 x 0,75	DT04-8AP-A/K1/0.75/2m	55-00529
						DT04-8AP-A/K1/0.75/5m	55-00530
						DT04-8AP-A/K1/0.75/10m	55-00531



Without LED-protection circuit, M12 thread

8	10 - 230 V AC/ DC	6	5	PUR	8 x 0,75	DT04-8APG-A/K1/0.75/2m	55-00535
						DT04-8APG-A/K1/0.75/5m	55-00536
						DT04-8APG-A/K1/0.75/10m	55-00537

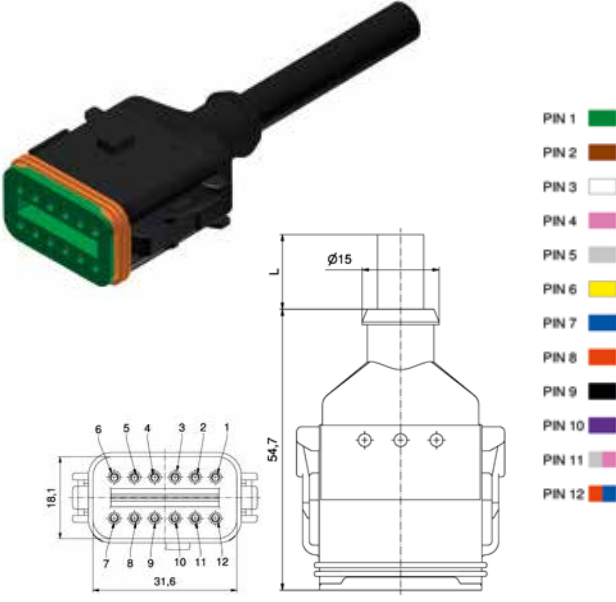


VALVE CONNECTORS
DT-Series

DT06, 12-pos.
Socket contacts

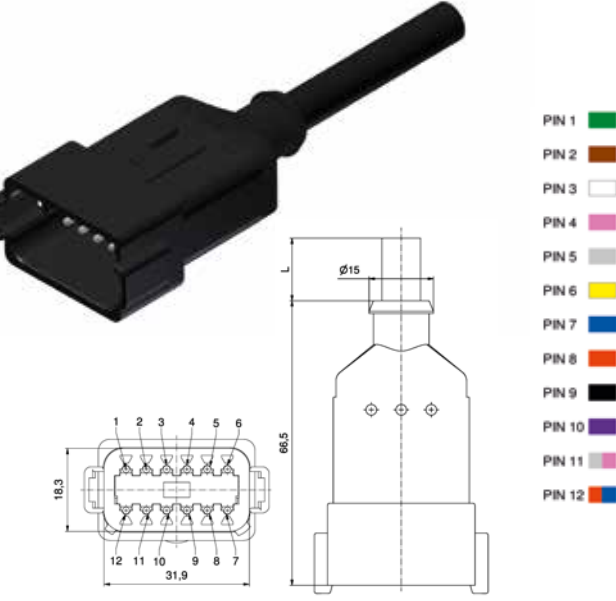
Without LED-protection circuit

Contact assignment

		No. of poles	Rated voltage [A]	Current rating [A]	Cable length = L [m]	Cable quality	Wire cross section [mm ²]	Description	Part No.
		12	10 - 230 V AC/ DC	5	2	PUR	12 x 0,75	DT06-12AS-A/K1/0.75/2m	55-00553
					5			DT06-12AS-A/K1/0.75/5m	55-00554
					10			DT06-12AS-A/K1/0.75/10m	55-00555

DT04, 12-pos.
Plug contacts

Without LED-protection circuit

		No. of poles	Rated voltage [A]	Current rating [A]	Cable length = L [m]	Cable quality	Wire cross section [mm ²]	Description	Part No.
		12	10 - 230 V AC/ DC	5	2	PUR	12 x 0,75	DT04-12AP-A/K1/0.75/2m	55-00556
					5			DT04-12AP-A/K1/0.75/5m	55-00557
					10			DT04-12AP-A/K1/0.75/10m	55-00558

Mouser Electronics

Authorized Distributor

Click to View Pricing, Inventory, Delivery & Lifecycle Information:

[CONEC:](#)

[55-00501](#) [55-00507](#)